

A & M Electric Tools

Battery Tools

Milwaukee

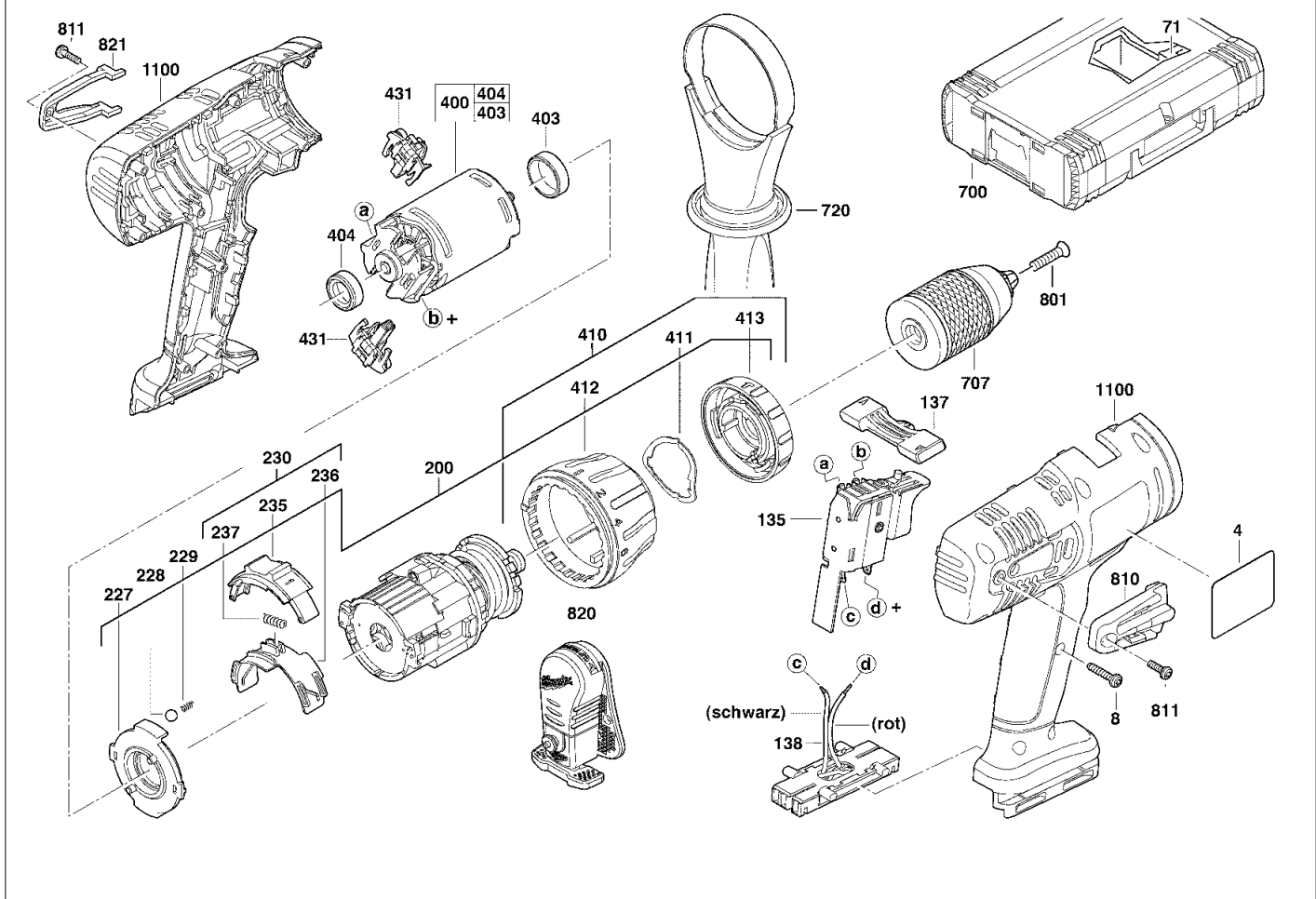
P18 TXC

Exp.view No. Version Date Page

4926 3903 52 0010 27.09.07 1/1

Ind	Product No.	Type	Voltage	Country
a	4000390350	P18TXC	18V	***
b	4000390350	P18TXC	18V	***
c	4000390350	P18TXC	18V	***
d	4000395164	P18TXC	18V	***
f	4000395164	P18TXC	18V	***

Ind	Product No.	Type	Voltage	Country



Pos	Index	Quanti	Article No.	Designation
0004	abc.....	1	4931390353	RATING PLATE
0004	...df.....	1	4931395181	RATING PLATE
0008	abcdf.....	9	4931622708	SCREW
0071	ab.d.....	1	4931401358	INSERT
0071	..c.f.....	1	4931390334	INSERT
0135	abcdf.....	1	4931400348	SWITCH BOARD
0137	abcdf.....	1	4931389820	SLIDING SWITCH
0138	abcdf.....	1	4931389837	WIRE
0200	abcdf.....	1	4931389844	GEAR BOX
0227	abcdf.....	1	4931389825	BEARING END PLATE
0228	abcdf.....	1	4931805413	BALL
0229	abcdf.....	1	4931388194	PRESSURE SPRING
0230	abcdf.....	1	4931389821	LEVER
0235	abcdf.....	1	4931389822	SLIDING SWITCH
0236	abcdf.....	1	4931389823	CRANK
0237	abcdf.....	1	4931389824	PRESSURE SPRING
0400	abc.....	1	4931390339	MOTOR
0400	...df.....	1	4931395167	MOTOR
0403	abcdf.....	1	4931363798	RUBBER SLEEVE
0404	abcdf.....	1	4931332388	RUBBER SLEEVE
0410	abcdf.....	1	4931389650	JUMPER RING
0411	abcdf.....	1	4931389522	SPRING WASHER

Pos	Index	Quanti	Article No.	Designation
0412	abcdf.....	1	4931389520	JUMPER RING
0413	abcdf.....	1	4931389521	JUMPER RING
0431	abc.....	1	4931390341	BRUSH HOLDER PAIR
0431	...df.....	1	4931395047	BRUSH HOLDER
0700	abcdf.....	1	4932378986	CARRYING CASE
0707	abcdf.....	1	4932371913	QUICK ACTION CHUCK
0720	abcdf.....	1	4932376128	HANDLE
0801	abcdf.....	1	4931401643	LOCKING SCREW
0810	abcdf.....	1	43720455	BIT HOLDER
0811	abcdf.....	2	4931390671	SCREW
0820	abcdf.....	1	42705005	HOLDER
0821	abcdf.....	1	43720300	HOLDER
1100	abcdf.....	1	4931389840	HOUSING

Repairs/modification and testing of electric power tools are to be carried out by specialists. The safety regulations according to DIN/VDE/CEE/AFNOR and other regulations valid in the different countries are to be observed.