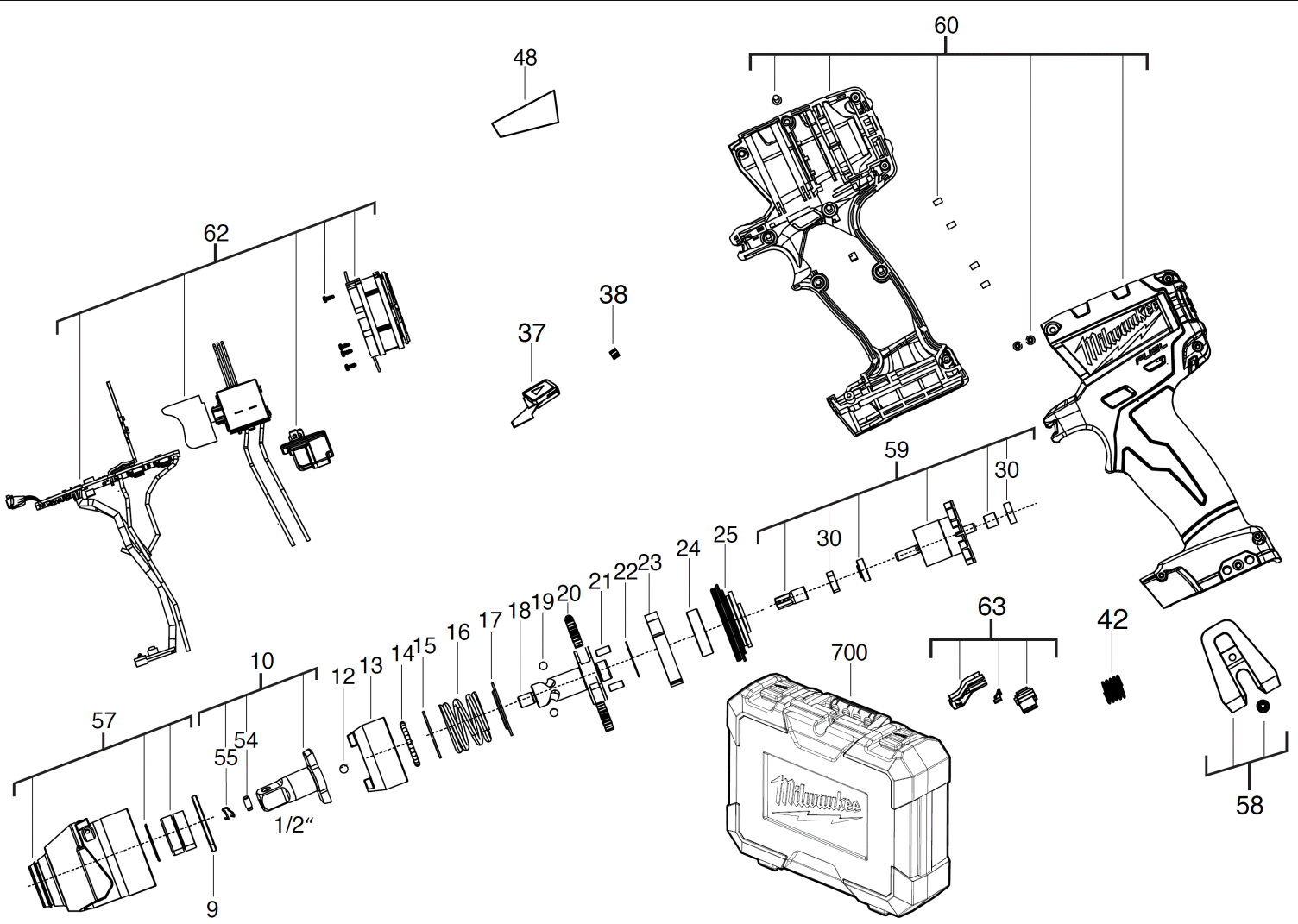


# **BATT. SCREWDRIVER**

**4933433139 - M18CIW12-402C - 4000433135**



Position	Quantity	Description	Part number	EAN
0009	1	WASHER	4931435372	4002395892082
0010	1	DRIVE	4931435752	4002395865499
0012	1	BALL	670219001	4002395849420
0013	1	HAMMER	4931435741	4002395864782
0014	29	BALL	4931440309	4002395892013
0015	1	DISC	4931440454	4002395892037
0016	1	SPRING	4931435742	4002395864799
0017	1	WASHER	4931435376	4002395889327
0018	1	SHAFT	4931435743	4002395865406
0019	2	BALL	4931440453	4002395892020
0020	2	PLANET GEAR	4931435744	4002395865413
0021	2	PLANETARY DRIVE	4931435378	4002395889341
0022	1	WASHER	4931435379	4002395889358
0023	1	GROOVED BALL BEAR.	4931435380	4002395889365
0025	1	HOUSING	4931435382	4002395889389
0030	2	BALL BEARING	681262001	4002395806126
0037	1	PUSH BUTTON	4931435383	4002395889396
0038	1	SPRING PLATE	4931435275	4002395902552
0042	1	PRESSURE SPRING	4931408243	4002395814466
0048	1	TYPE PLATE	4931435746	4002395865437
0054	1	PIN	4931435747	4002395865444
0055	1	SPRING	4931435748	4002395865451
0057	1	GEAR BOX	4931435749	4002395865468
0058	1	CLAMP	4931435388	4002395890040
0059	1	ARMATURE	4931435750	4002395865475
0060	1	HANDLE COMPL.	4931435390	4002395890064
0062	1	ELECTRONIC	4931435751	4002395865482
0063	1	SWITCH ASSEMBLY	4931435392	4002395890088
0700	1	CARRYING CASE	4931435393	4002395890095