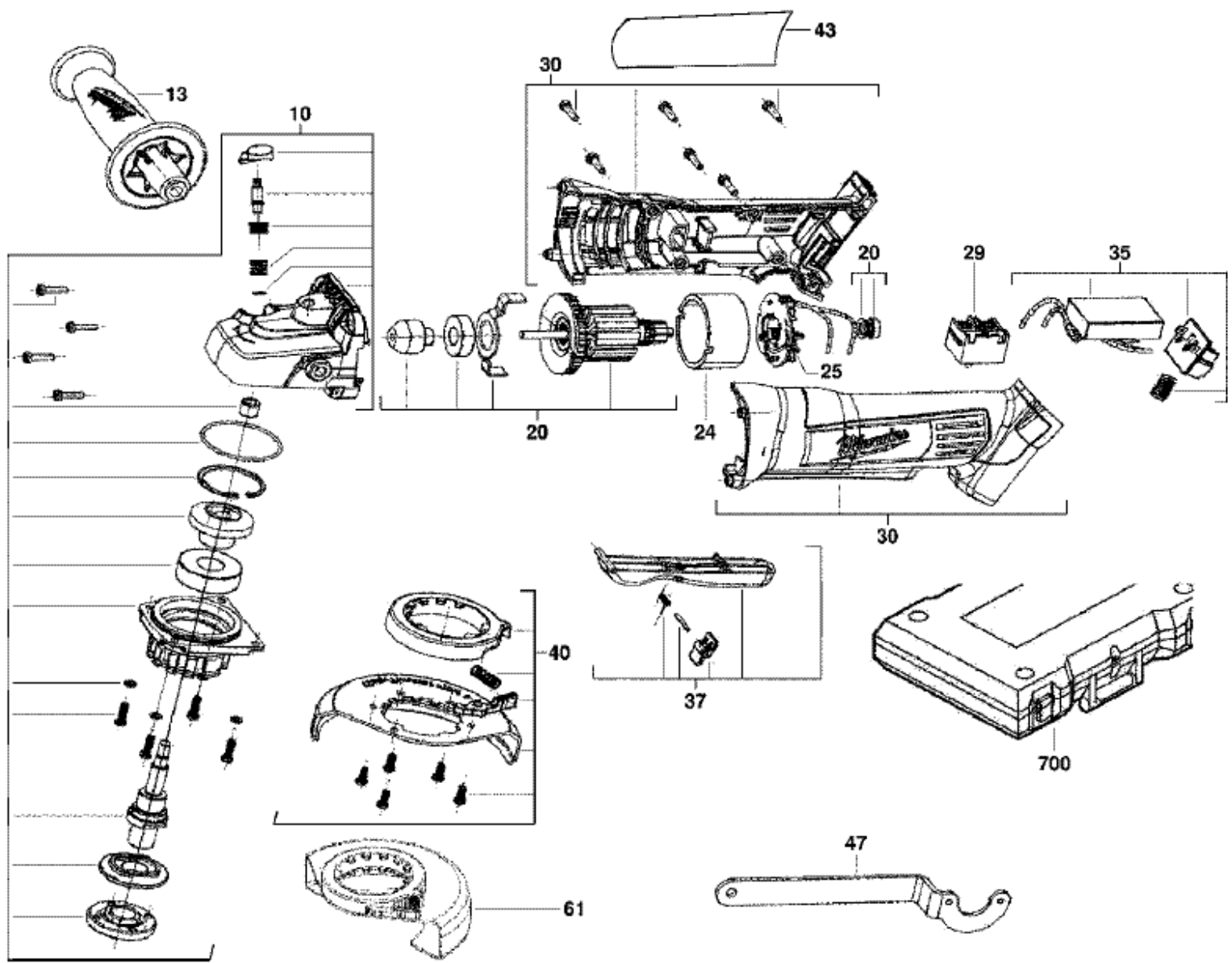


BTY. ANGLE GRINDER

4933411200 - HD18AG-32C - 4000431373



Position	Quantity	Description	Part number	EAN
0010	1	GEAR BOX	200818002	4002395814732
0013	1	HOLDING GRIP	340067001	4002395814763
0020	1	ARMATURE	200001012	4002395814688
0024	1	ELECTRIC FIELD	741255001	4002395814787
0025	1	CARBON BRUSH SET	4931431774	4002395898473
0029	1	SWITCH ON-OFF	4931431818	4002395898480
0030	1	HOUSING	200074004	4002395814695
0035	1	ELECTRONIC ELEMENT	200372005	4002395814718
0037	1	SPINDLE LOCK	200979003	4002395814749
0040	1	GUARD CAP	4931411208	4002395824915
0043	1	RATING PLATE	4931431819	4002395898497
0047	1	WRENCH	632145001	4002395814770
0061	1	GUARD CAP	4931411208	4002395824915
0700	1	CARRYING CASE	200230015	4002395814701