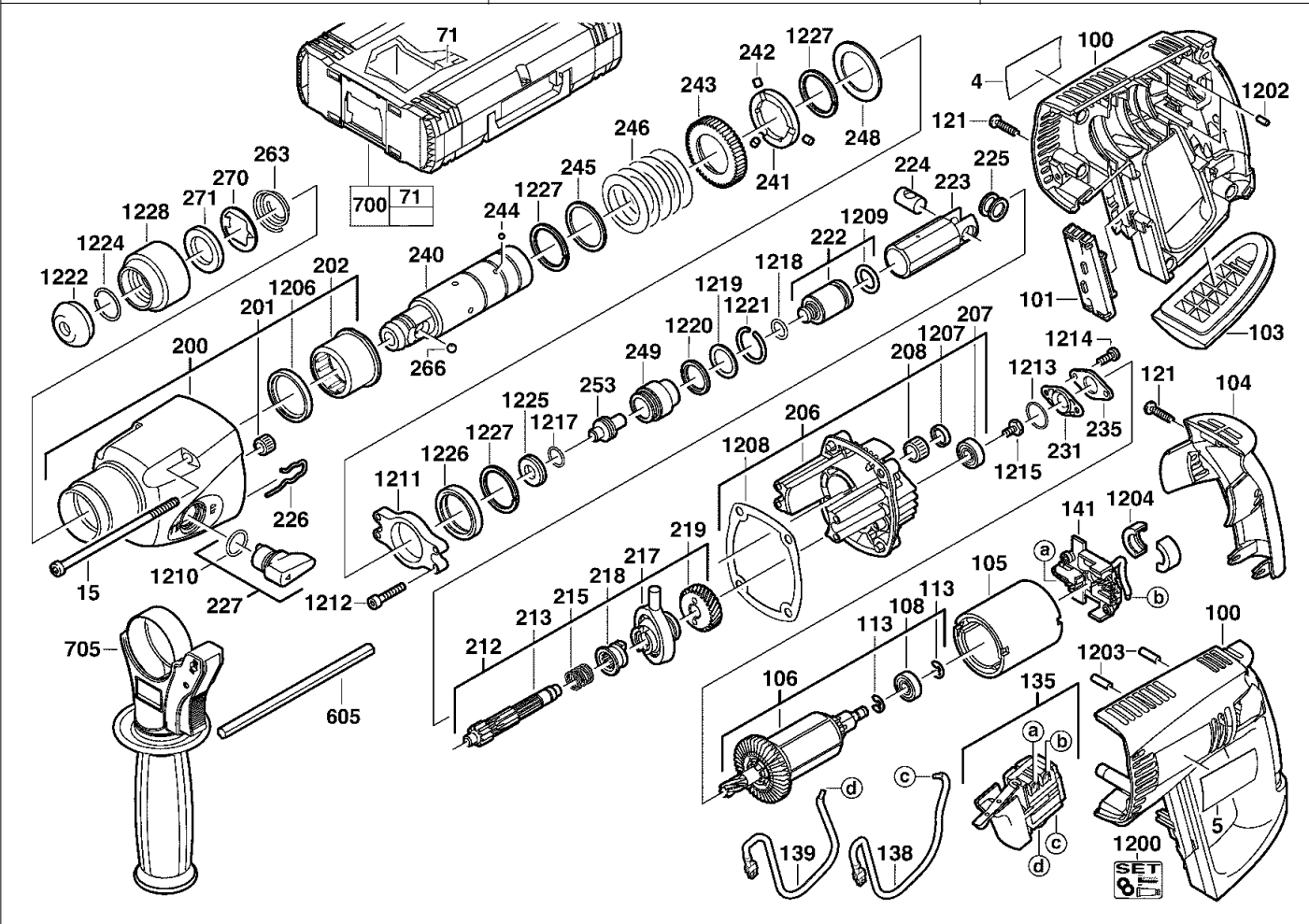


A & M Electric Tools

Ind Product No.	Type	Voltage	Country
a 4000386487	LOKTOR H18	18V	***

Battery Tools

Milwaukee	Version	Date	Page
LOKTOR H18			
H18			
Exp.view No.	Version	Date	Page
4926 3864 90	0007	02.08.04	1/2



Pos	Index	Quanti	Article No.	Designation	Pos	Index	Quanti	Article No.	Designation
0004	a.....	1	4931382311	NAME PLATE	0208	a.....	1	4931943567	NEEDLE BEARING
0005	a.....	1	4931386497	RATING PLATE	0212	a.....	1	4931366700	REDUCTION GEAR
0015	a.....	4	4931339996	SCREW	0213	a.....	1	4931365010	REDUCT. GEAR SHAFT
0071	a.....	1	4931390410	INSERT	0215	a.....	1	4931365058	SPRING
0100	a.....	1	4931386220	BODY	0217	a.....	1	4931365012	COUPLING SLEEVE
0101	a.....	1	4931363797	INSERT	0218	a.....	1	4931365013	WOBBLE DRIVE
0103	a.....	1	4931390101	GUARD	0219	a.....	1	4931366701	REDUCT GEAR WHEEL
0104	a.....	1	4931374488	HANDLE COVER	0222	a.....	1	4931365028	PERCUSSION BODY
0105	a.....	1	4931376919	ELECTRIC FIELD	0223	a.....	1	4931365029	CYLINDER
0106	a.....	1	4931386214	ARMATURE	0224	a.....	1	4931365056	CYLINDRICAL BOLT
0108	a.....	1	4931624169	BALL BEARING	0225	a.....	2	4931365112	DISC
0113	a.....	2	4931621834	WASHER	0226	a.....	1	4931365047	LOCKING WASHER
0121	a.....	5	4931623973	SCREW	0227	a.....	1	4931374856	SWITCH HANDLE
0135	a.....	1	4931400350	SWITCH BOARD	0231	a.....	1	4931365051	BEARING COVER
0138	a.....	1	4931376095	WIRE	0235	a.....	1	4931365135	SPECS
0139	a.....	1	4931376096	WIRE	0240	a.....	1	4931374258	SPINDLE SLEEVE
0141	a.....	1	4931376819	BRUSH HOLDER	0241	a.....	1	4931392751	CLUTCH DISC
0200	a.....	1	4931382316	GEAR BOX	0242	a.....	3	4931365057	CYLINDRICAL BOLT
0201	a.....	1	4931933756	NEEDLE BEARING	0243	a.....	1	4931392489	SPINDLE GEAR
0202	a.....	1	4931365065	NEEDLE BUSH	0244	a.....	3	4931944281	BALL
0206	a.....	1	4931366705	BEARING END PLATE	0245	a.....	1	4931623200	WASHER
0207	a.....	1	4931623951	BALL BEARING	0246	a.....	5	4931365066	CUP SPRING

Repairs/modification and testing of electric power tools are to be carried out by specialists. The safety regulations according to DIN/VDE/CEE/AFNOR and other regulations valid in the different countries are to be observed.

