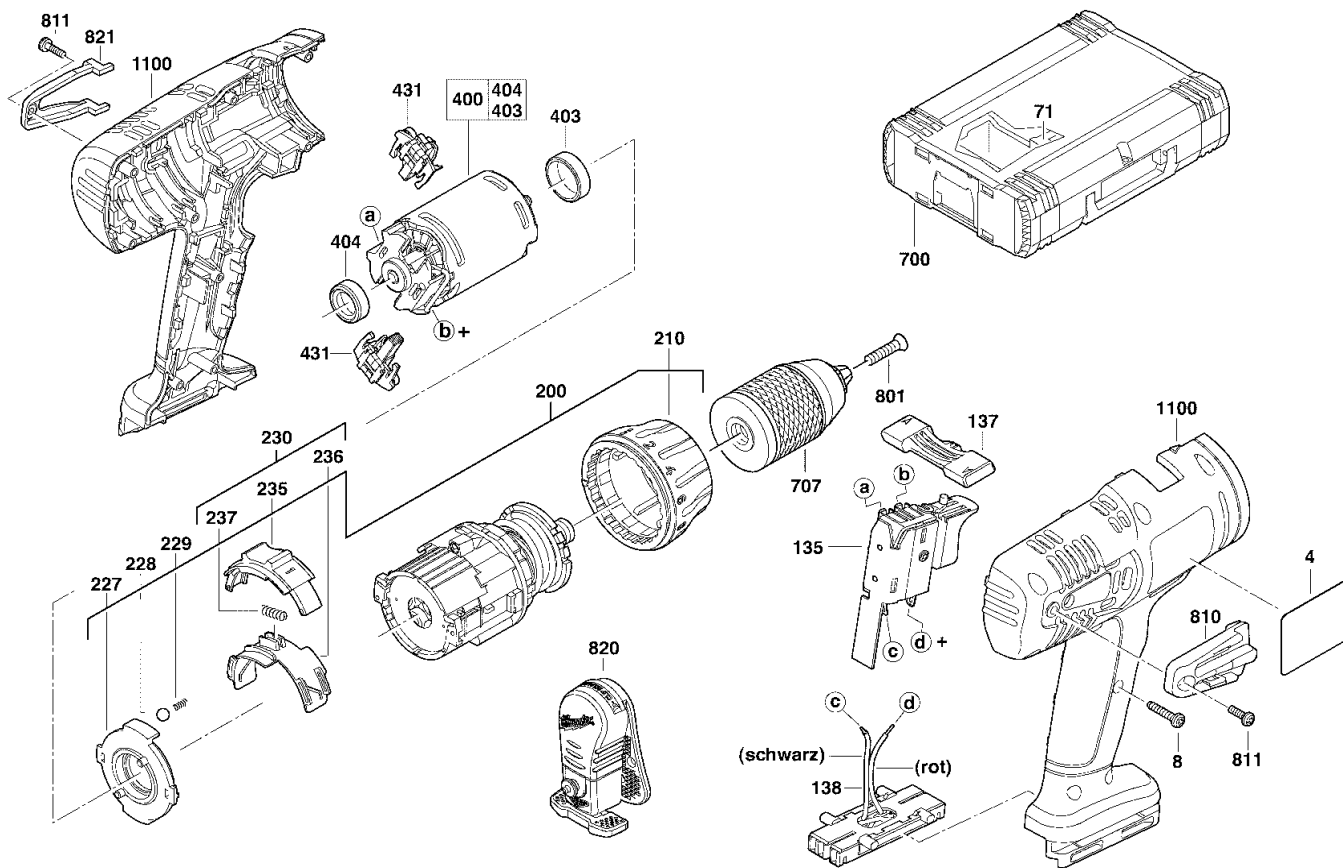


A & M Electric Tools

Ind	Product No.	Type	Voltage	Country
a	4000390751	S14.4TXC	14,4V	***
b	4000395173	S14.4TXC	14,4V	***

Battery Tools

Ind	Product No.	Type	Voltage	Country
Milwaukee				
S 14,4 TXC				
Exp.view No.	Version	Date	Page	
4926 3907 53	0003	02.10.07	1/1	



Pos	Index	Quanti	Article No.	Designation
0004	a.....	1	4931390755	RATING PLATE
0004	b.....	1	4931395182	RATING PLATE
0008	ab.....	9	4931622708	SCREW
0071	ab.....	1	4931390334	INSERT
0135	ab.....	1	4931400349	SWITCH BOARD
0137	ab.....	1	4931389820	SLIDING SWITCH
0138	ab.....	1	4931388199	WIRE
0200	ab.....	1	4931389843	GEAR BOX
0210	ab.....	1	4931389627	JUMPER RING
0227	ab.....	1	4931389825	BEARING END PLATE
0228	ab.....	1	4931805413	BALL
0229	ab.....	1	4931388194	PRESSURE SPRING
0230	ab.....	1	4931389821	LEVER
0235	ab.....	1	4931389822	SLIDING SWITCH
0236	ab.....	1	4931389823	CRANK
0237	ab.....	1	4931389824	PRESSURE SPRING
0400	a.....	1	4931390760	MOTOR
0400	b.....	1	4931395177	MOTOR
0403	ab.....	1	4931363798	RUBBER SLEEVE
0404	ab.....	1	4931332388	RUBBER SLEEVE
0431	a.....	1	4931390341	BRUSH HOLDER PAIR
0431	b.....	1	4931395047	BRUSH HOLDER

Pos	Index	Quanti	Article No.	Designation
0700	ab.....	1	4932378986	CARRYING CASE
0707	ab.....	1	4932371913	QUICK ACTION CHUCK
0801	ab.....	1	4931401643	LOCKING SCREW
0810	ab.....	1	43720455	BIT HOLDER
0811	ab.....	2	4931390671	SCREW
0820	ab.....	1	42705005	HOLDER
0821	ab.....	1	43720300	HOLDER
1100	ab.....	1	4931390580	HOUSING

Repairs/modification and testing of electric power tools are to be carried out by specialists. The safety regulations according to DIN/VDE/CEE/AFNOR and other regulations valid in the different countries are to be observed.