

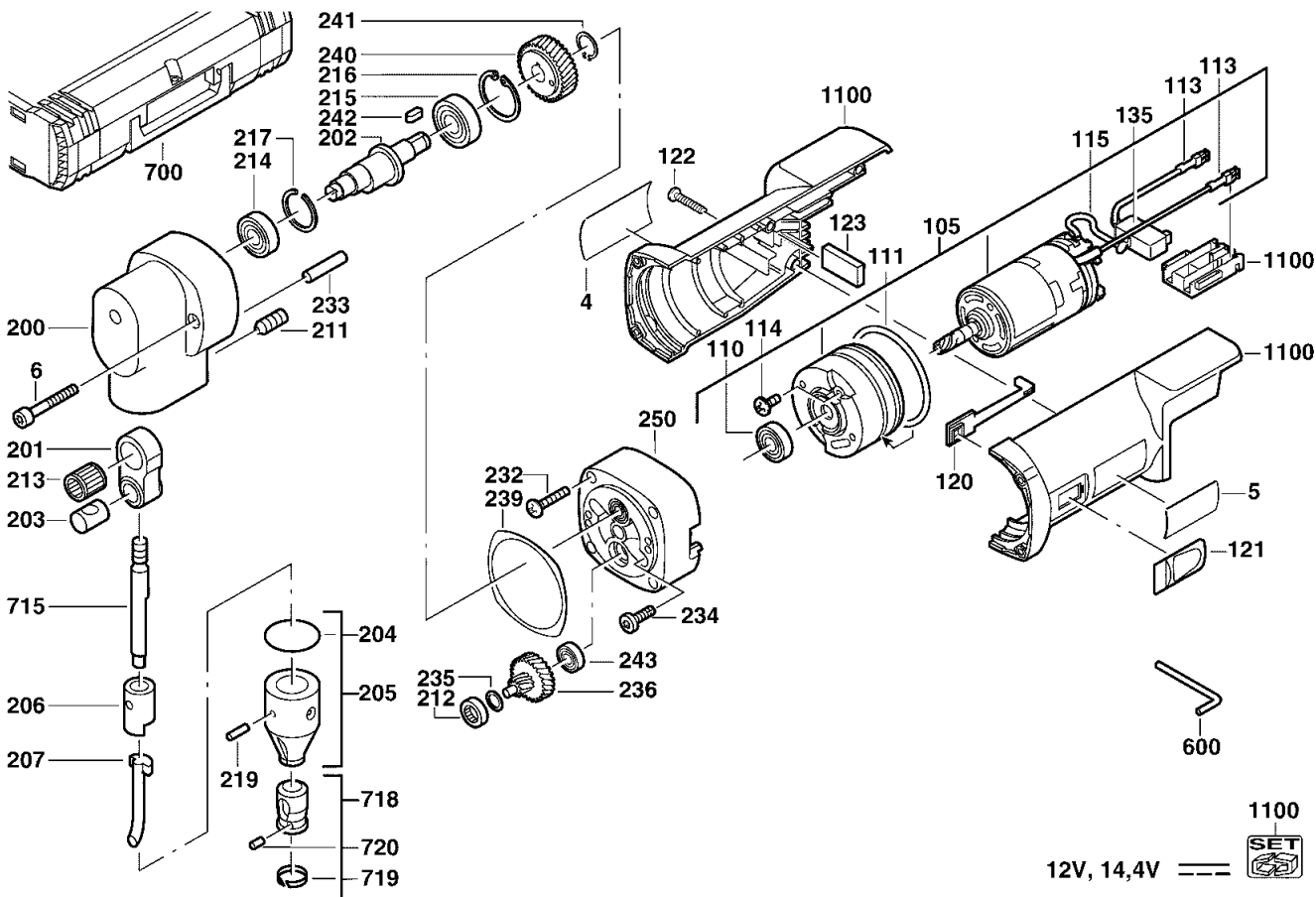
A & M Electric Tools

Ind	Product No.	Type	Voltage	Country
b	4000389309	PN14.4POWER PLUS	14,4V	***
c	4000382712	PN12 POWER PLUS	12V	***
d	4000389309	PN14.4POWER PLUS	14,4V	***

Battery Tools

Exp.view No.	Version	Date	Page
4926 3827 14	0004	03.09.03	1/2

Milwaukee
PN12PP
PN14,4PP



Pos	Index	Quanti	Article No.	Designation	Pos	Index	Quanti	Article No.	Designation
0004	b.d.....	1	4931389312	RATING PLATE	0207	bcd.....	1	4931243112	PIN
0004	.c.....	1	4931382716	RATING PLATE	0211	bcd.....	1	4931243114	THREADED PIN
0005	bcd.....	1	4931382710	NAME PLATE	0212	bcd.....	1	4931621826	NEEDLE BEARING
0006	bcd.....	2	4931606955	SCREW	0213	bcd.....	1	4931621847	NEEDLE BEARING
0105	bcd.....	1	4931349573	DRIVE	0214	bcd.....	1	4931623537	BALL BEARING
0110	bcd.....	1	4931621829	BALL BEARING	0215	bcd.....	1	4931278918	BALL BEARING
0111	bcd.....	1	4931623562	O-RING	0216	bcd.....	1	4931605460	LOCKING RING
0113	bcd.....	2	4931623536	WIRE	0217	bcd.....	1	4931621848	SPRING RING
0114	bcd.....	2	4931621528	SCREW	0219	bcd.....	1	4931983663	PIN
0115	bcd.....	1	4931623556	WIRE	0232	bcd.....	4	4931620737	SCREW
0120	bcd.....	1	4931349559	SLIDE	0233	bcd.....	1	4931600203	PIN
0121	bcd.....	1	4931358872	SWITCH COVER	0234	bcd.....	2	4931623048	SCREW
0122	bcd.....	3	4931622708	SCREW	0235	bcd.....	1	4931909973	DISC
0123	bcd.....	1	4931368224	SUPPORT	0236	bcd.....	1	4931279513	REDUCTION GEAR
0135	bcd.....	1	4931349564	SWITCH	0239	bcd.....	1	4931222136	GASKET
0200	bcd.....	1	4931378857	BODY	0240	bcd.....	1	4931279511	SPINDLE GEAR
0201	bcd.....	1	4931279562	CONNECTING ROD	0241	bcd.....	1	4931605115	RING
0202	bcd.....	1	4931279564	ECCENTRIC SHAFT	0242	bcd.....	1	4931610332	SPRING
0203	bcd.....	1	4931362178	BOLT	0243	bcd.....	1	4931887416	BALL BEARING
0204	bcd.....	1	4931623653	O-RING	0250	bcd.....	1	4931382727	BEARING END PLATE
0205	bcd.....	1	4931362180	PUNCH GUIDE	0600	bcd.....	1	4931606738	KEY
0206	bcd.....	1	4931243111	GUIDE SLEEVE	0700	.d.....	1	4932381280	CARRYING CASE

Repairs/modification and testing of electric power tools are to be carried out by specialists. The safety regulations according to DIN/VDE/CEE/AFNOR and other regulations valid in the different countries are to be observed.

A & M Electric Tools

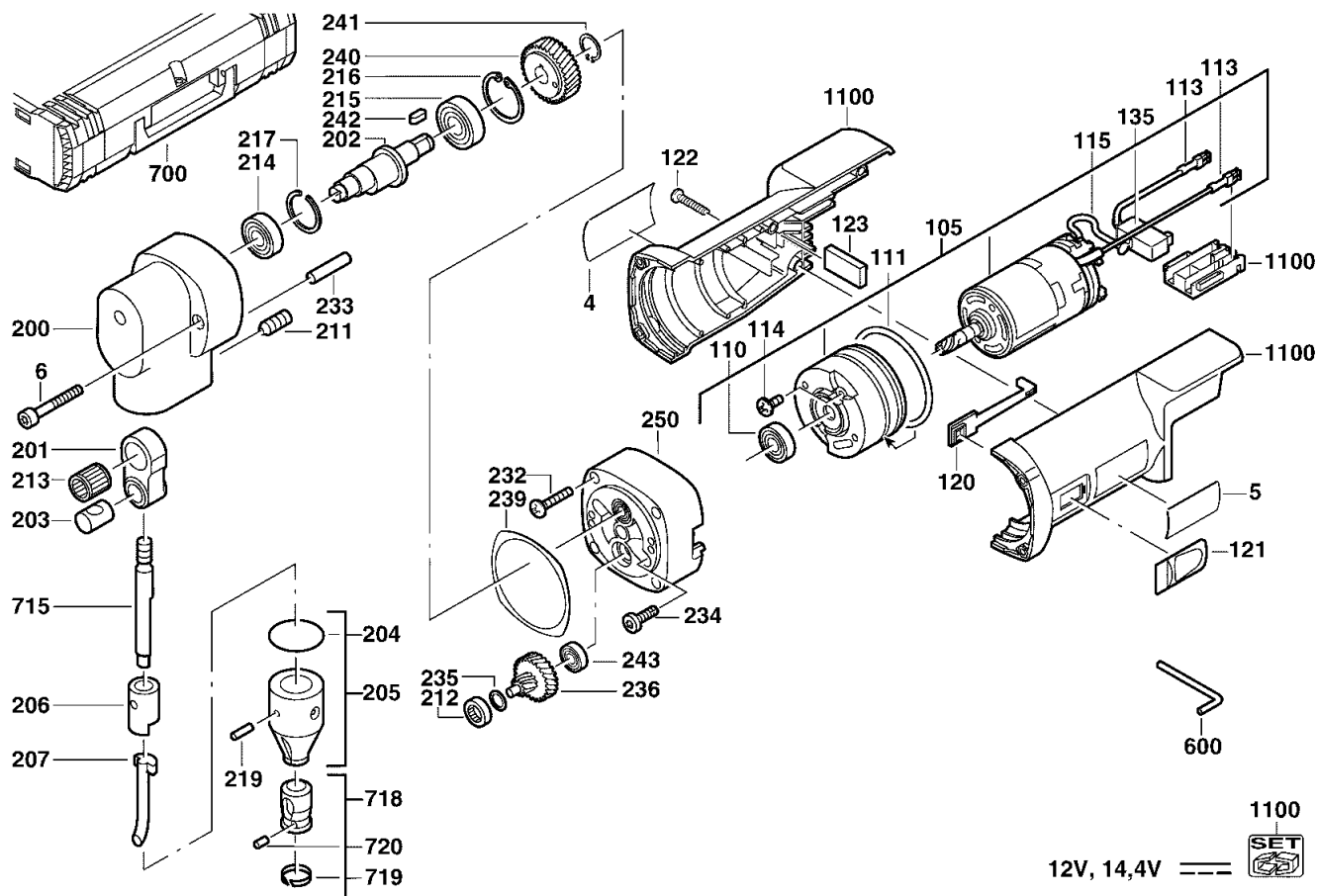
Battery Tools

Ind	Product No.	Type	Voltage	Country
b	4000389309	PN14.4POWER PLUS	14,4V	***
c	4000382712	PN12 POWER PLUS	12V	***
d	4000389309	PN14.4POWER PLUS	14,4V	***

Ind	Product No.	Type	Voltage	Country

Milwaukee
PN12PP
PN14,4PP

Exp.view No. Version Date Page
4926 3827 14 0004 03.09.03 2/2



Pos	Index	Quanti	Article No.	Designation
0715	bcd.....	1	4932362179	PUNCH
0718	bcd.....	1	4932279565	MATRIX
0719	bcd.....	1	4931262402	COVERING RING
0720	bcd.....	1	4931621770	PIN
1100	bcd.....	1	4931358934	HOUSING

Pos	Index	Quanti	Article No.	Designation