

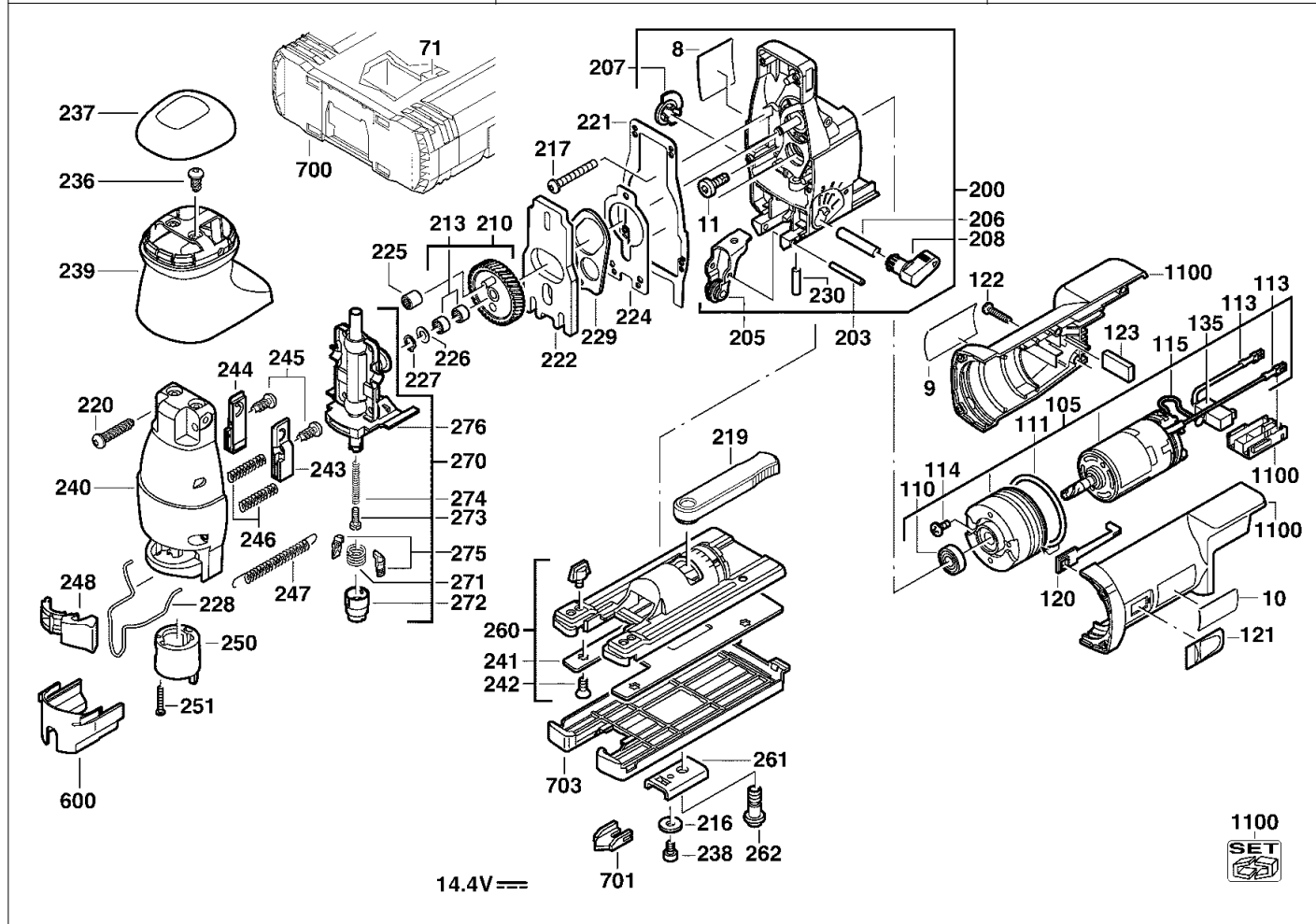
# A & M Electric Tools

# Battery Tools

Ind Product No. Type Voltage Country  
 a 4000381242 PJX14.4PP 12-14,4V \*\*\*

Ind Product No. Type Voltage Country  
 Milwaukee  
**PJX 14,4 PP**

Exp.view No. Version Date Page  
**4926 3812 45 0010 30.01.08 1/2**



Pos	Index	Quanti	Article No.	Designation	Pos	Index	Quanti	Article No.	Designation
0008	a.....	1	4931381277	SAW TABLE	0210	a.....	1	4931357515	GEAR
0009	a.....	1	4931381247	RATING PLATE	0213	a.....	2	4931219422	NEEDLE BEARING
0010	a.....	1	4931382710	NAME PLATE	0216	a.....	1	4931622131	DISC
0011	a.....	2	4931317532	SCREW	0217	a.....	4	4931623019	SCREW
0071	a.....	1	4931390412	INSERT	0219	a.....	1	4931381610	TENSION LEVER
0105	a.....	1	4931381234	DRIVE GEAR	0220	a.....	4	4931623020	SCREW
0110	a.....	1	4931621829	BALL BEARING	0221	a.....	1	4931381656	SEAL
0111	a.....	1	4931623562	O-RING	0222	a.....	1	4931381109	BALANCE WEIGHT
0113	a.....	2	4931623536	WIRE	0224	a.....	1	4931357577	SHIM
0114	a.....	2	4931621528	SCREW	0225	a.....	1	4931361376	NEEDLE BUSH
0115	a.....	1	4931623535	WIRE	0226	a.....	1	4931621830	DISC
0120	a.....	1	4931349559	SLIDE	0227	a.....	1	4931605092	RING
0121	a.....	1	4931358872	SWITCH COVER	0228	a.....	1	4931357982	WIRE STRAP
0122	a.....	3	4931622708	SCREW	0229	a.....	1	4931357522	ROCKER BAR
0123	a.....	1	4931368224	SUPPORT	0230	a.....	1	4931381112	CYLINDER PIN
0135	a.....	1	4931349564	SWITCH	0236	a.....	2	4931623048	SCREW
0200	a.....	1	4931381239	GEAR BOX	0237	a.....	1	4931330272	BALL LID
0203	a.....	1	4931621942	PIN	0238	a.....	1	4931300699	SCREW
0205	a.....	1	4931330051	HOLDER	0239	a.....	1	4931330271	KNOB HANDLE
0206	a.....	1	4931381103	INDEXING BOLT	0240	a.....	1	4931381183	GEAR BOX COVER
0207	a.....	1	4931381225	COVER	0241	a.....	1	4931357605	SLIDE PLATE
0208	a.....	1	4931378812	SWITCH HANDLE	0242	a.....	4	4931310396	SCREW

Repairs/modification and testing of electric power tools are to be carried out by specialists. The safety regulations according to DIN/VDE/CEE/AFNOR and other regulations valid in the different countries are to be observed.

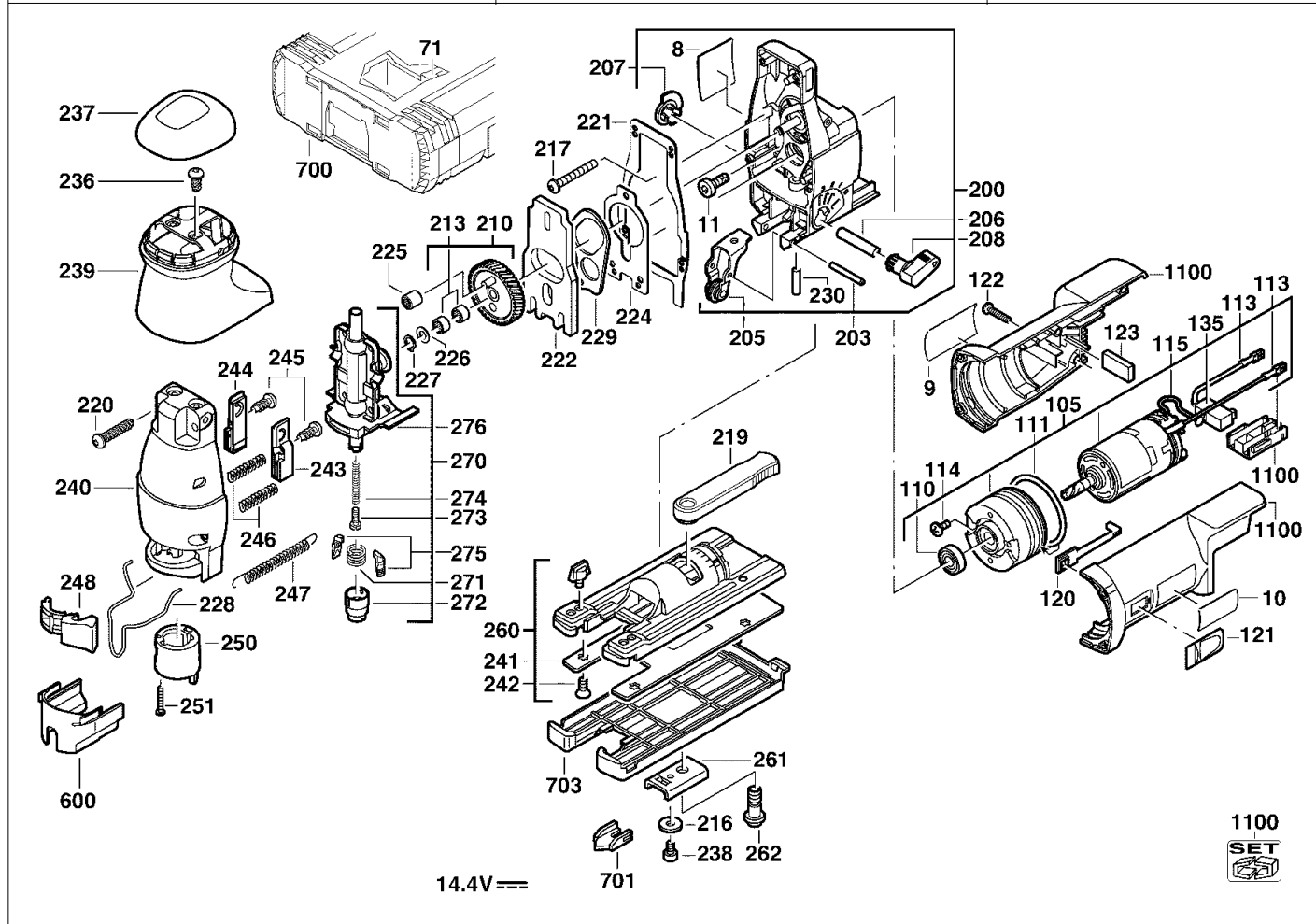
# A & M Electric Tools

# Battery Tools

Ind Product No. Type Voltage Country  
 a 4000381242 PJX14.4PP 12-14,4V \*\*\*

Ind Product No. Type Voltage Country

Milwaukee  
**PJX 14,4 PP**  
 Exp.view No. Version Date Page  
 4926 3812 45 0010 30.01.08 2/2



Pos	Index	Quanti	Article No.	Designation
0243	a.....	1	4931357986	SLIDE BEARING
0244	a.....	1	4931357985	SLIDE BEARING
0245	a.....	2	4931317532	SCREW
0246	a.....	2	4931341759	PRESSURE SPRING
0247	a.....	1	4931330453	TENSION SPRING
0248	a.....	1	4931381159	SWITCH LEVER
0250	a.....	1	4931381158	INDEXING SLEEVE
0251	a.....	1	4931624172	SCREW
0260	a.....	1	4931381623	GROUND PLATE
0261	a.....	1	4931357588	THRUST PIECE
0262	a.....	1	4931381124	SCREW
0270	a.....	1	4931357693	RAM
0271	a.....	1	4931330424	TORSION SPRING
0272	a.....	1	4931330494	COLLET
0273	a.....	1	4931623102	SCREW
0274	a.....	1	4931357686	PRESSURE SPRING
0275	a.....	2	4931330303	CENTERING JAW
0276	a.....	1	4931623091	SEAL RING
0600	a.....	1	4931357987	DUST CAP
0700	a.....	1	4932378986	CARRYING CASE
0701	a.....	1	4932357682	ANT-CHIPPING DEVICE
0703	a.....	1	4932357881	GUIDE SHOE

Pos	Index	Quanti	Article No.	Designation
1100	a.....	1	4931358934	HOUSING

Repairs/modification and testing of electric power tools are to be carried out by specialists. The safety regulations according to DIN/VDE/CEE/AFNOR and other regulations valid in the different countries are to be observed.