

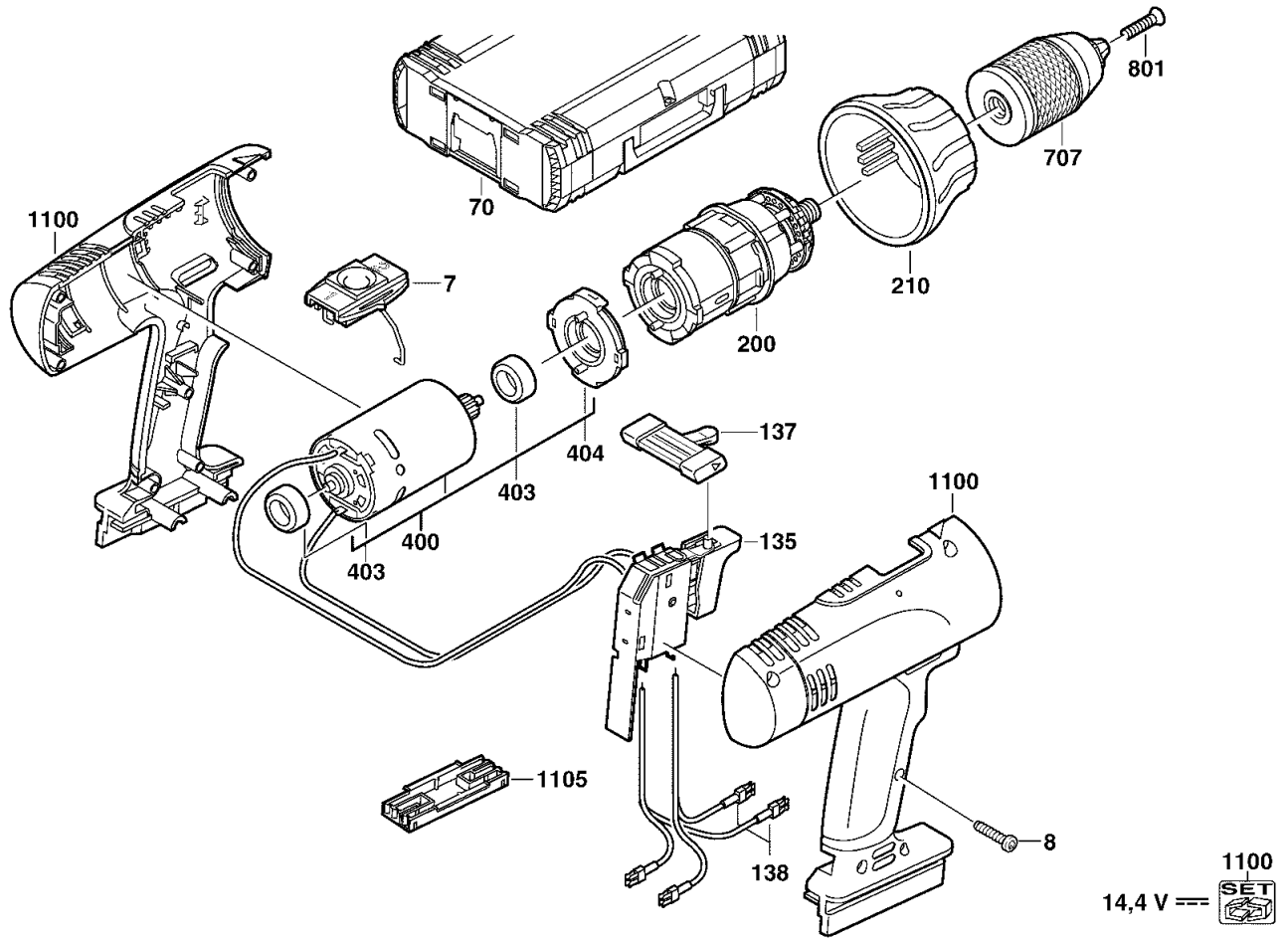
A & M Electric Tools

Battery Tools

Milwaukee
PES 14,4T

Exp.view No. Version Date Page
4926 3894 06 0002 29.04.04 1/1

Ind	Product No.	Type	Voltage	Country	Ind	Product No.	Type	Voltage	Country
a	4000389404	PES14.4T	14,4V	***					
b	4000389404	PES14.4T	14,4V	***					
c	4000389404	PES14.4T	14,4V	***					
d	4000389404	PES14.4T	14,4V	***					



Pos	Index	Quanti	Article No.	Designation
0007	abcd.....	1	4931363810	SLIDING SWITCH
0008	abcd.....	7	4931622708	SCREW
0070	abcd.....	1	4932378986	CARRYING CASE
0135	abcd.....	1	4931400349	SWITCH BOARD
0137	abcd.....	1	4931363944	SWITCH
0138	abcd.....	1	4931363820	CABLE
0200	abcd.....	1	4931363980	GEAR BOX
0210	abcd.....	1	4931363933	JUMPER RING
0400	abcd.....	1	4931363996	MOTOR
0403	abcd.....	2	4931363798	RUBBER SLEEVE
0404	abcd.....	1	4931363799	BEARING END PLATE
0707	abcd.....	1	4932376533	QUICK ACTION CHUCK
0801	abcd.....	1	4931400026	LOCKING SCREW
1100	abcd.....	1	4931376236	BODY
1105	abcd.....	1	4931349089	INSERT

Pos	Index	Quanti	Article No.	Designation

Repairs/modification and testing of electric power tools are to be carried out by specialists. The safety regulations according to DIN/VDE/CEE/AFNOR and other regulations valid in the different countries are to be observed.