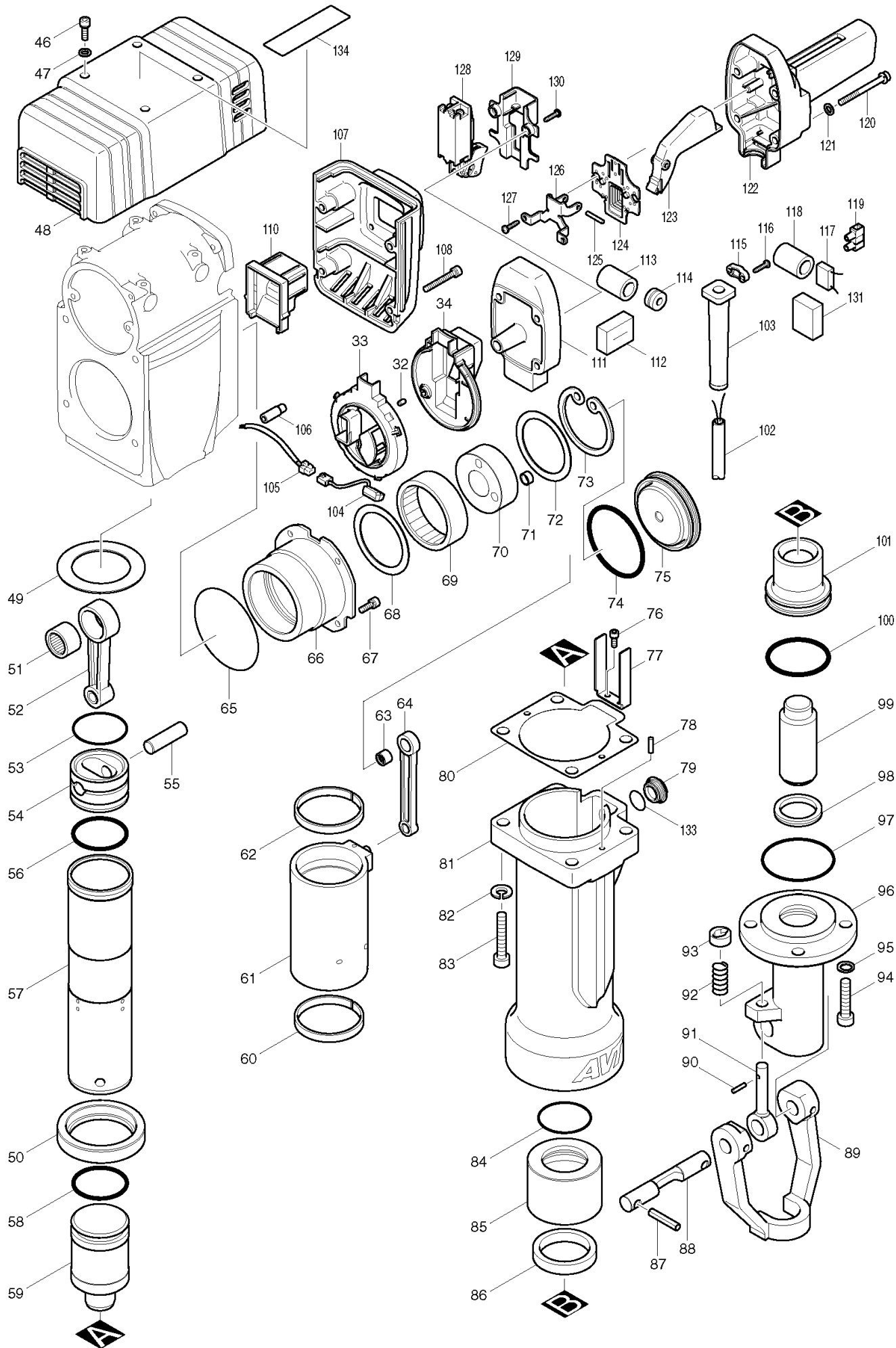


| Nr. | Reservedelsnr. | Navn                        |
|-----|----------------|-----------------------------|
| 1   | 322566-3       | TÆTNING (HM1800)            |
| 2   | 211256-2       | KUGLELEJE 6203LLB           |
| 3   | 267706-5       | STØVTÆTNING (HM1800)        |
| 4   | 516922-9       | ANKER (HM1810)              |
| 5   | 681646-7       | ISOLATIONSSKIVE (HM1800)    |
| 6   | 211087-9       | KUGLELEJE                   |
| 7   | 263002-9       | GUMMISTIFT 4                |
| 8   | 154586-7       | MOTORHUS B KPL. (HM1810)    |
| 9   | 191957-7       | KULSÆT CB-204               |
| 10  | 643710-2       | KULDÆKSEL (HM1800)          |
| 11  | 317899-9       | LEJESKJOLD (HM1810)         |
| 12  | 265366-7       | SKRUE M6x22 (HM1500)        |
| 13  | 240024-6       | VENTILATORVINGE             |
| 14  | 253165-9       | SKIVE 8###(267321-5)        |
| 15  | 931402-8       | MØTRIK M8 (LS1013)          |
| 16  | 265344-7       | SECHSKANTSCHRAUBE M5x85     |
| 17  | 628943-0       | FELT (HM1810)               |
| 18  | 414787-2       | MOTORHUS A (HM1800)         |
| 19  | 254001-2       | KILE NR. 4                  |
| 20  | 213507-9       | O-RING 40 (HR1800/2220)     |
| 21  | 256151-9       | STIFT 5 HM1800              |
| 22  | 154585-9       | GETRIEBEGEHAEUSEDECKEL      |
| 23  | 211209-1       | KUGLELEJE 6202 HM1800       |
| 24  | 226251-9       | TANDHJUL 22 HM1800          |
| 25  | 254001-2       | KILE NR. 4                  |
| 26  | 211361-5       | KUGLELEJE 6305LLB(HM18000)  |
| 27  | 213476-4       | TÆTNING 35 (HM1800)         |
| 28  | 213721-7       | O-RING 61 HM1800            |
| 29  | 213806-9       | O-RING 90 (HM1317C)         |
| 30  | 154588-3       | KRUMTAP (HM1810)            |
| 31  | 318027-9       | GETRIEBEGEHAEUSE            |
| 35  | 221793-8       | TANDHJUL 50(HM1800)         |
| 36  | 211209-1       | KUGLELEJE 6202 HM1800       |
| 37  | 922496-4       | SKRUE M8x75 HM1800          |
| 38  | 418415-1       | GREB (HM1800)               |
| 39  | 922353-6       | SKRUE M6x30 (HM1202C)       |
| 40  | 317902-6       | GEARHUSDÆKSEL (HM1810)      |
| 41  | 211214-8       | KUGLELEJE 6302###(211211-4) |
| 42  | 961060-6       | LÅSERING S-20 (HM1800)      |
| 43  | 226242-0       | TANDHJUL 47(HM1810)         |
| 44  | 331416-1       | RING 25 HM1800              |
| 45  | 962301-3       | LÅSERING G R-62 HM1800      |
| 109 | 861399-6       | TYPENSCHILD HM1810          |



| Nr. | Reservedelsnr. | Navn                         |
|-----|----------------|------------------------------|
| 32  | 263002-9       | GUMMISTIFT 4                 |
| 33  | 419262-3       | GEARHUSDÆKSEL A (HM1810)     |
| 34  | 419263-1       | GEARHUSAFDÆKNING B (HM1810)  |
| 46  | 922331-6       | 6KANT-SKRUE M6X20(-)         |
| 47  | 941152-7       | SKIVE 6 (LF1000)             |
| 48  | 419324-7       | DÆKSEL F. MOTORHUS (HM1810)  |
| 49  | 267296-8       | SKIVE 63 (HM1810)            |
| 50  | 324580-5       | RING                         |
| 51  | 212358-7       | NÅLELEJE 2520 HM1800         |
| 52  | 322476-4       | PLEJLSTANG HM1800            |
| 53  | 213662-7       | O-RING 55 (HM1810)           |
| 54  | 324536-8       | STEMPEL (HM1810)             |
| 55  | 268130-5       | STIFT 15 (HM1810)            |
| 56  | 213666-9       | O-RING 52 HM1800             |
| 57  | 331694-3       | CYLINDER 62 (HM1810)         |
| 58  | 213666-9       | O-RING 52 HM1800             |
| 59  | 324546-5       | SLAGVÆRK (HM1810)            |
| 60  | 418949-4       | RING 68 (HM1810)             |
| 61  | 154589-1       | KONTRAHYLSTER (HM1810)       |
| 62  | 418949-4       | RING 68 (HM1810)             |
| 63  | 212075-9       | NÅLELEJE 1010 (HM1810)       |
| 64  | 154946-3       | PLEJLSTANG (HM1810)          |
| 65  | 213855-6       | O-RING 95 (HM1400)           |
| 66  | 318028-7       | LEJEHUS (HM1810)             |
| 67  | 922331-6       | 6KANT-SKRUE M6X20(-)         |
| 68  | 267297-6       | SKIVE 65 (HM1810)            |
| 69  | 212701-0       | NÅLELEJE 7025 (HM1810)       |
| 70  | 154587-5       | DREV (HM1810)                |
| 71  | 331718-5       | DISTANCESKIVE (HM1810)       |
| 72  | 267297-6       | SKIVE 65 (HM1810)            |
| 73  | 962354-2       | LÅSERING R-80 (HM1810)       |
| 74  | 213765-7       | O-RING 78 (HM1810)           |
| 75  | 418952-5       | STOPPER (HM1810)             |
| 76  | 266464-0       | INNENSECHSKANTSCHRAUBE M5x20 |
| 77  | 345569-0       | BØJLE (HM1810)               |
| 78  | 256151-9       | STIFT 5 HM1800               |
| 79  | 450347-6       | KAPPE (HM1810)               |
| 80  | 162241-7       | PAKNING (HM1810)             |
| 81  | 318354-4       | ZYLINDER                     |
| 82  | 942301-9       | FJEDERRING 12                |
| 83  | 922677-0       | SKRUE M12x55 (HM1800)        |
| 84  | 213660-1       | O-RING 53 (HM1500)           |
| 85  | 322548-5       | CYLINDER(B) HM1800           |
| 86  | 262050-5       | GUMMIRING 54 (HM1500)        |
| 87  | 951272-9       | FJEDERSTIFT8-40 (HM1810)     |
| 88  | 324238-6       | VÆRKTØJSHOLDER (HM1800)      |
| 89  | 324236-0       | BØJLE                        |
| 90  | 256219-1       | STIFT 4 (HM1500) .           |

|     |          |                                |
|-----|----------|--------------------------------|
| 91  | 322477-2 | BØJLEHOLDER HM15B/1800         |
| 92  | 233083-7 | TRYKFJEDER 13 (HM1500B/HM1800) |
| 93  | 322560-5 | RING (HM1810)                  |
| 94  | 265989-1 | SKRUE M12x45 HM15B/18          |
| 95  | 253989-3 | FJEDERSKIVE 12(HM1500)         |
| 96  | 324539-2 | VÆRKTØJSHOLDER (HM1810)        |
| 97  | 213755-0 | O-RING 75                      |
| 98  | 213517-6 | X-RING 40 (HM1300)             |
| 99  | 324545-7 | SLAGBOLT (HM1810)              |
| 100 | 213667-7 | O-RING 60 HM1800               |
| 101 | 324541-5 | SLAGBOLTSFØRING (HM1810)       |
| 102 | 695123-3 | ANSCHLUSSLEITUNG###(P-26185)   |
| 103 | 682546-4 | KABELBESKYTTER 12-125 (HM1800) |
| 104 | 631671-8 | LAMPE                          |
| 105 | 638378-7 | LAMPEN-ANSCHLUSSKABEL          |
| 106 | 418951-7 | LINSE                          |
| 107 | 317901-8 | SEITENDECKEL                   |
| 108 | 922366-7 | 6KANT SKRUE M6X45              |
| 110 | 418954-1 | KABELFUEHRUNG                  |
| 111 | 419044-3 | GREBPLADE (HM1800)             |
| 112 | 685700-9 | SKUMGUMMI                      |
| 113 | 685722-9 | KAPPE (403,4302C,800)          |
| 114 | 688131-1 | FILTER (HM1810)                |
| 115 | 687053-2 | KABELKLEMMEPLADE (1900B)       |
| 116 | 265995-6 | BLIKSKRUE 4x18###(266326-2)    |
| 117 | 645200-1 | KONDENSATOR###(645118-6)       |
| 118 | 685722-9 | KAPPE (403,4302C,800)          |
| 119 | 654554-5 | TERMINAL (HM1810)              |
| 120 | 265535-0 | 6-KANT SKRUE M6X65 (HM1810)    |
| 121 | 941152-7 | SKIVE 6 (LF1000)               |
| 122 | 418333-3 | GREB (HM1810)                  |
| 123 | 418332-5 | OMSKIFTER (HM1810)             |
| 124 | 421850-4 | STØVBESKYTTER (HM1810)         |
| 125 | 256206-0 | STIFT 4 (T221DW)               |
| 126 | 345355-9 | HOLDER (HM1810)                |
| 127 | 265995-6 | BLIKSKRUE 4x18###(266326-2)    |
| 128 | 651131-4 | AFB. C3D-15MS (4110B/C)        |
| 129 | 419045-1 | AFBRYDERAFDÆKNING (HM1810)     |
| 130 | 265995-6 | BLIKSKRUE 4x18###(266326-2)    |
| 131 | 685718-0 | SKUMGUMMI *10 (JR3000V)        |
| 133 | 213953-6 | O-RING 24                      |
| 134 | 819213-0 | FIRMENSCHILD                   |