

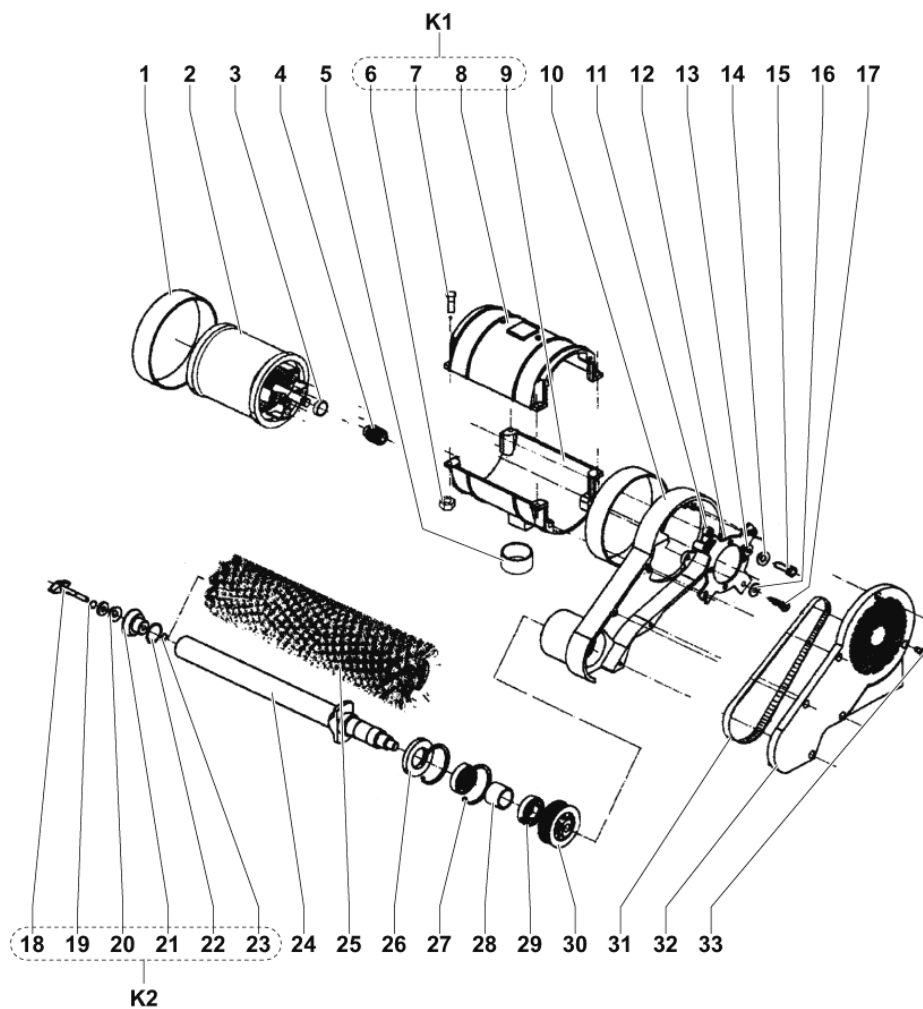
PARTS LIST



2021.02.18

TABLE OF CONTENTS

BRUSH DRIVE SYSTEM.....	1
FRAME SYSTEM.....	3
SQUEEGEE ASSEMBLY.....	5
TANKS SYSTEM.....	7
VACUUM SYSTEM.....	9
HANDLE BAR.....	11
SOLUTION SYSTEM.....	13
CHASSIS SYSTEM.....	15
WIRING SYSTEM.....	17
RECOMMENDED SPARE PARTS.....	19



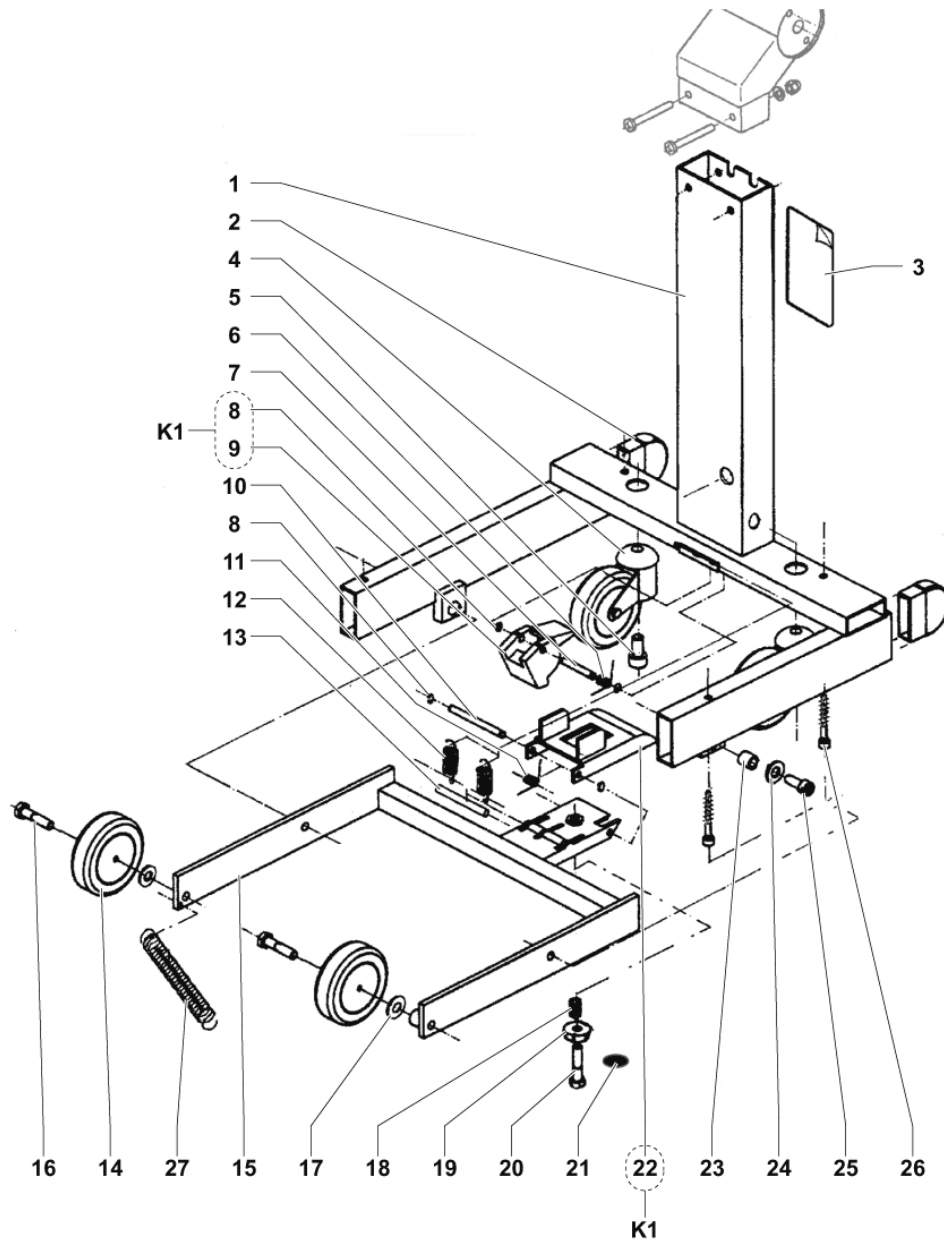
Resource notes:

Note 1 - L08425200 - nr. 1 - L08603042 - nr. 2 - L08603044 - nr. 2 - L08603096 - nr. 1 - L08603110 - nr. 1 Note 2 - L08425300 - nr. 1 - L08603042 - nr. 2 - L08603044 - nr. 2 - L08603096 - nr. 1 - L08603110 - nr. 1

Pos.	Vare-nr	Antal	Beskrivelse	Notes
01	L08603022	2	RING RUBBER	[1]
02	9099665000	1	MOTOR BRUSH	[2]
03	L08603258	1	Skive Ca/Ba 340 V.Børste	[2]
04	L08603750	1	Drivrulle BA/Ca340	[2]
05	L08603023	1	RING RUBBER	[2]
10	L08603010	1	Dæksel, Gear BA/Ca 340	[2]
11	L08603018	4	SPACER 7.5X12X8	[1]
12	L08603016	1	FLANGE BRUSH MOTOR	[2]
13	L08603017	4	SPACER	[2]
14		4		
15	L08812104	4	SCREW M5X18 CAP HD HEX SOCK ISO4762	[1]
16	1466530000	1	WASHER PLAIN M6X18 ISO7093 10 PCS SET	
17	33023653	4	SCREW M6X20 HD HEX ISO4762 10PCS.SET	
18	L08603241	1	Skrue, Børste BA/Ca340	
20	L08812686	2	Skive	[2]
21	L08603004	1	BUSH BRUSH FIXING	[2]
22	L08095000	1	Tætning	
23	33023696	1	RING F SHAFT D.5 DIN6799 SET 10 PCS	[2]
24	L08603003	1	Shaft	[2]
25	L08425200	1	Cylinderbørste nylon blå 330 mm Ø100	
25	L08425400	1	Cylinderbørste Grit 320 340 mm	[3]
25	L08425300	1	Cylinderbørste Aglite Grit 500 mm	[4]
26	L08603005	1	Tætningsring F/Ca340 F/Børstevalse	[2]
27	33006181	2	Seeger J52	[2]
28	L08603008	1	Afstandsstk. F/Ca340 F/Børstevalse	[2]
29	1467640000	2	BEARING BALL 6205 DDU SIP	
30	L08603009	1	Drivrulle Ca340	[2]
31	L08603177	1	Drivrem Ca340, Børste	
32	L08603001	1	Beskyttelseskappe F/Ca340 Kappe For Børs	
33	145 1964 000	6	Skrue M6X12 Uni5931	[2]
K1	L08603253	1	SHELL SCREWED FOR EL.MOT.	[5]
K2	9099514000	1	Hardware Brush Fixing Kit	[6]
K3	9099521000	1	WEAR PACK KIT	[7]
K4	9099522000	1	WEAR PACK SICA BRUSH KIT	[8]

Part Notes:

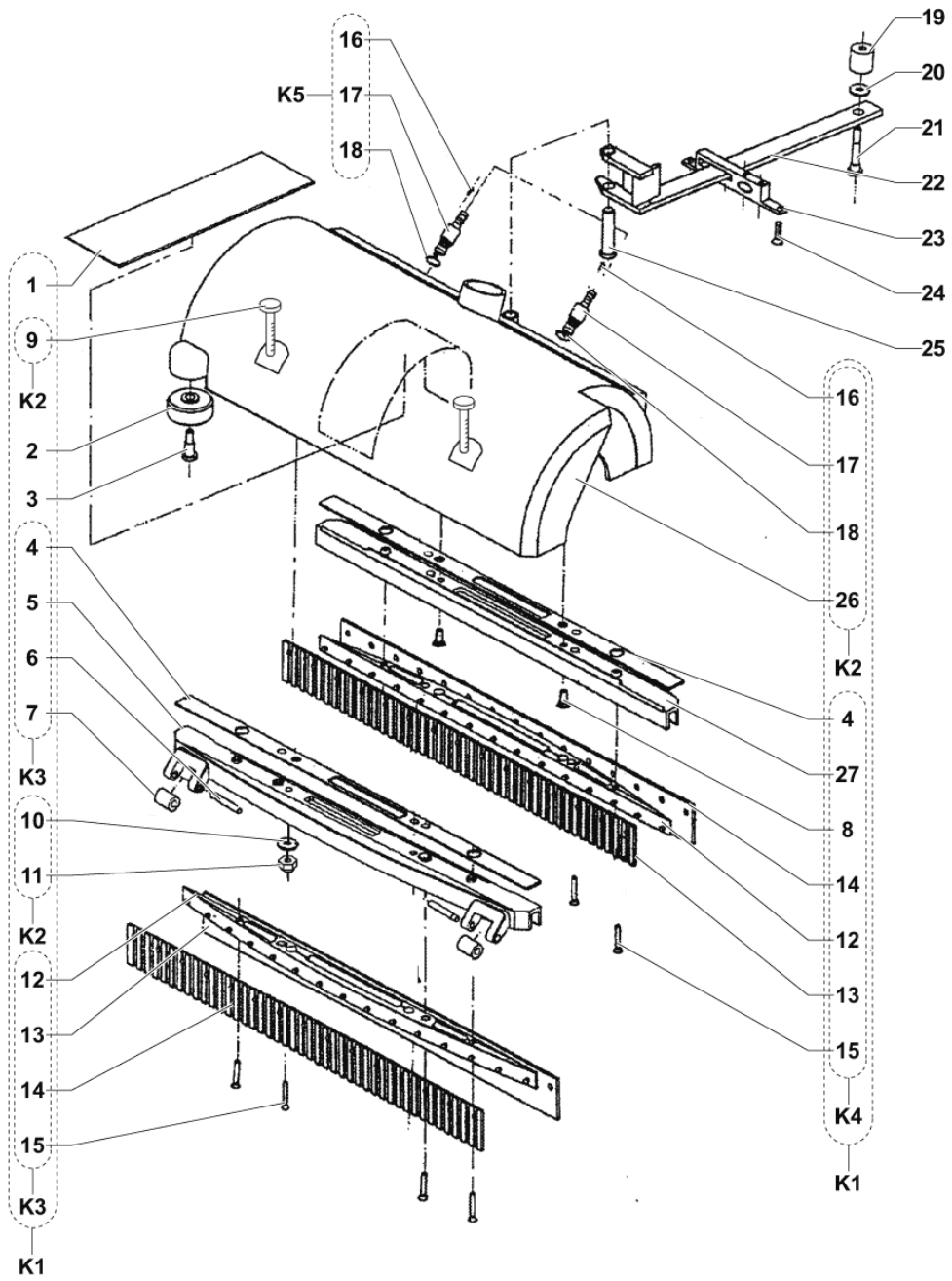
- [1] - NO LONGER AVAILABLE
- [2] - STOCK COVERS GUARANTEE
- [3] - Optional
NO LONGER AVAILABLE
- [4] - Optional
- [5] - Pos. 6-7-8-9
STOCK COVERS GUARANTEE
- [6] - Pos. 18-19-20-21-22-23
- [7] - Optional - Not Shown - See Note 1
STOCK COVERS GUARANTEE
- [8] - Optional - Not Shown - See Note 2
STOCK COVERS GUARANTEE



Pos.	Vare-nr	Antal	Beskrivelse	Notes
01	L08603066	1	FRAME	[1]
02	L08603068	2	Endestykke F/Ca340 F/Kørestel	[1]
03	L08603214	1	DECAL INSTRUCTIONS	[2]
04	L08603076	2	Hjul BA/Ca340, Bag (1stk)	[1]
05	145 5742 000	2	SCREW M10X20 CAP HD HEX SOCK ISO4762	
06	L08603071	1	Fjeder	
07	L08603069	1	Bolt F/Ca340 Løftesystem	[2]
08	L08603183	4	Låsering F/Ca340 F/Løftesystem	[1]
09	L08603354	1	Pedal, BA/Ca340	[1]
10	L08603356	1	Bolt	[1]
11	L08603075	1	Fjeder	[2]
12	L08603061	2	Fjeder F/Ca340 F/Løftepedal	[2]
13	L08603062	1	Shaft	[1]
14	9100000701	2	Hjul grå kit Ø75x28	
15	L08603057	1	Lifting Frame	[2]
16	L08603181	2	SCREW M8X35 HEX HD SS ISO4017 SCOTCH-GRI	[3]
17	9100001351	1	WASHER PLAIN M8 ISO7089 SS 10 PCS SET	
18	L08603064	1	Fjeder F/Ca340 F/Løftepedal	[1]
19	L08603065	1	Justerskruehoved F/Ca340 Plastik F/Munds	[1]
20	L08603063	1	Justerskrue M8X35 F/Ca340 F/Sugemundstk.	[1]
21	L08603746	1	Hætte, Pedalskrue Ba340	[1]
22	L08603355	1	Sænkn.Pedal F.Ca/Ba340	[1]
23	L08603055	2	SPACER D13X19 L.13 BRASS	[1]
25	L08812803	2	SCREW M8X20 CAP HD HEX SS ISO4762 SCOTCH	[1]
26	L08603377	4	Screw Plated Kb60X25	[1]
27	L08603037	1	Fjeder F/Ca340 F/Løft Af Sugehoved	[1]
K1	9099520000	1	PEDAL BRUSH LIFTING KIT	[4]

Part Notes:

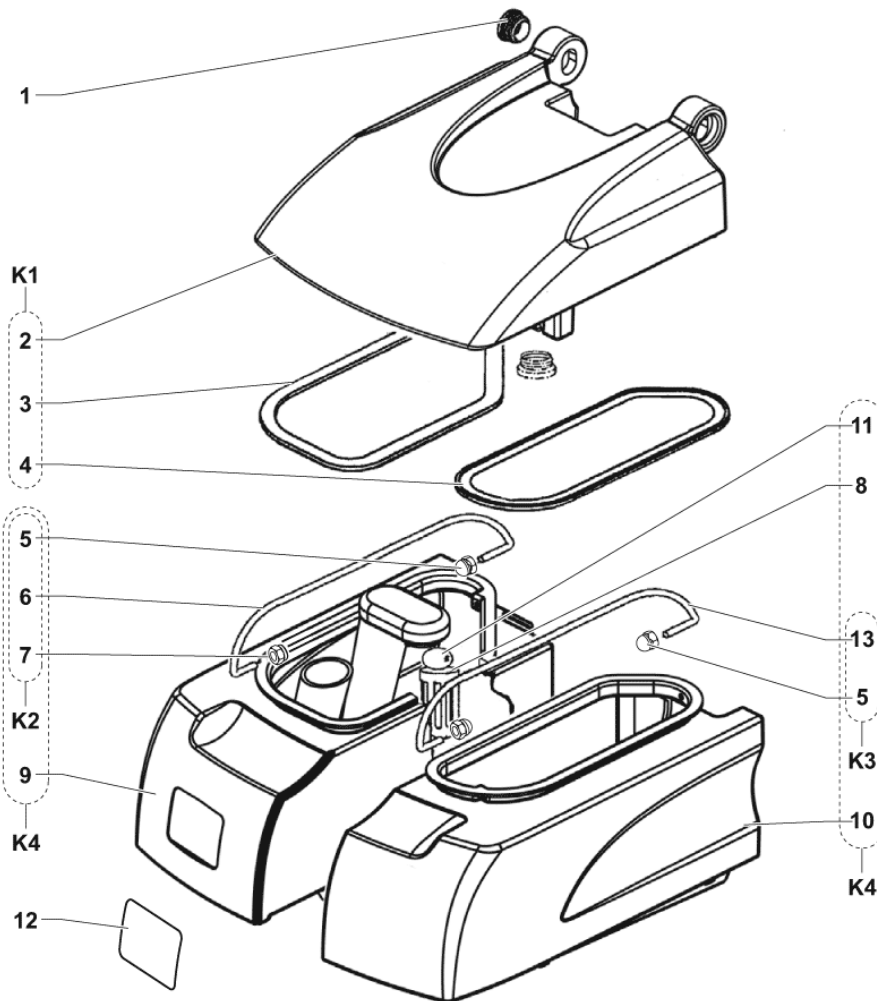
- [1] - STOCK COVERS GUARANTEE
- [2] - NO LONGER AVAILABLE
- [3] - ALT.USE KIT 9100000701
- [4] - Pos. 9-10-22
STOCK COVERS GUARANTEE



Pos.	Vare-nr	Antal	Beskrivelse	Notes
00	9097353000	1	Sugegummi kit polyurethan 440 mm	[1]
01	L08603026	1	Dæksel, Sugemundst. Ba340	
02	L08603027	2	Stødhjul F/Ca340 F/Sugeskjold	[2]
03	L08220100	2	Skrue	[2]
04	L08603039	2	Pakning, Mundstyk. Ba340	
05	L08603397	1	Holder, Sugegummi Ba340	
06	L08603402	2	Hjul, Sugedyse BA/Ca340	
07	L08812122	2	Spiralstift	
08	L08603744	2	Skrue M 5X16 Inox	
09	L08603733	2	SCREW M4X40 UNI7687 SS	[2]
10	9100001912	2	WASHER PLAIN M4X9SS ISO7089 10 PCS SET	
11	L08603685	2	Nut M4 Inox	
12	L08603040	2	Skinne til sugegummi	
13	9097353000	1	Sugegummi kit polyurethan 440 mm	
15	L08603203	8	Skrue M5X25 Ca340 Sugemundstk.	
16	L08603359	2	Skrue F. Låg Ba340	
17	L08603357	2	Spray Mundstykke F.Ca340	[2]
18	L08603358	2	Pakning F/Spray Mundstyk.	[2]
19	9100002198	1	LEVER BRUSH FIXING KIT	[3]
22	L08603031	1	Løftearm F/Ca340	[2]
23	L08603378	2	Skrue For Ca340	[4]
24	L08812009	1	Guide	[2]
25	L08603036	1	Møtrik F/Ca340 F/Forbindelsesstang	[2]
26	L08603728	1	Hoved For Sugemundstykke	
27	L08603038	1	Holder, Sugeg. BA/Ca340	
K1	9099515000	1	Sugehoved Komplet	[5]
K2	9099516000	1	COVER BRUSH KIT	[6]
K3	9099517000	1	Sugemundstykke For Kompl	[7]
K4	9099518000	1	Sugemundstykke Bag Kompl	[8]
K5	9099519000	1	PIPE FITTING KIT	[9]

Part Notes:

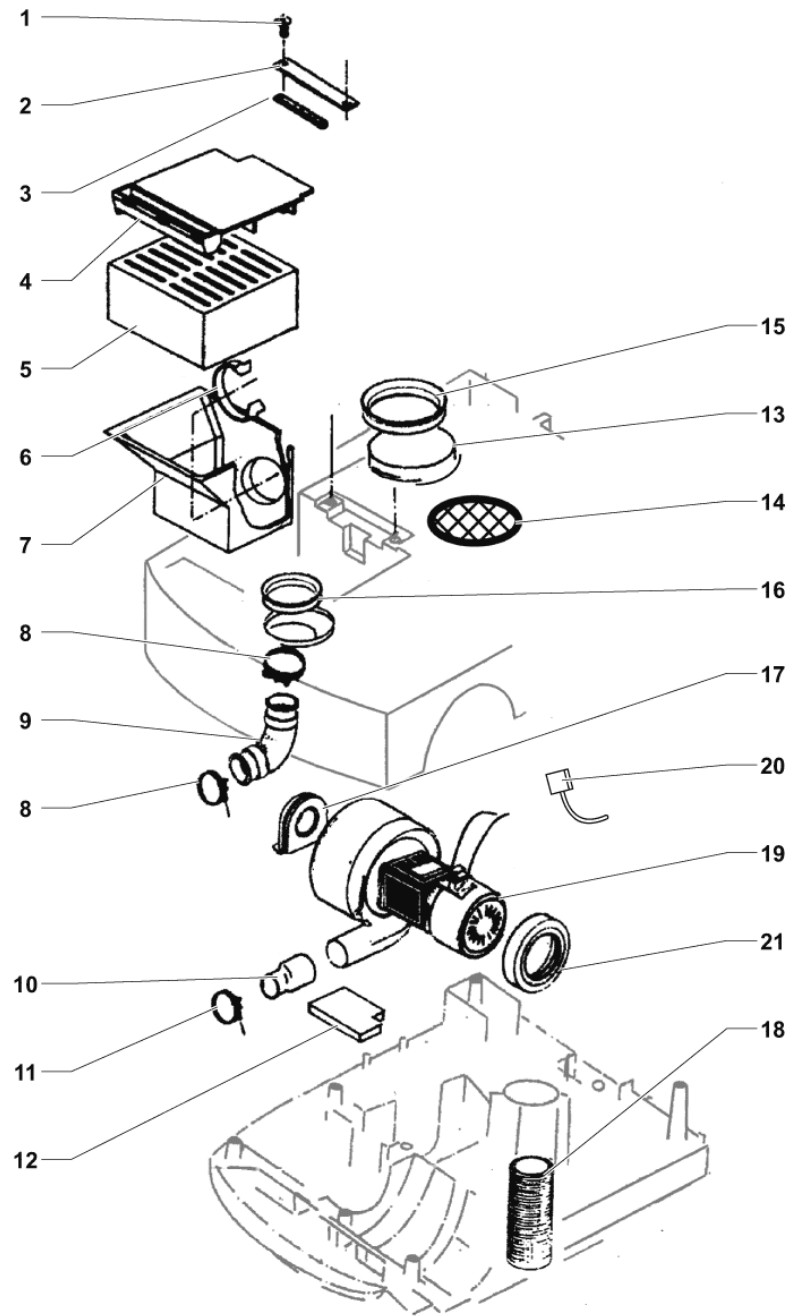
- [1] - Optional
- [2] - STOCK COVERS GUARANTEE
- [3] - STOCK COVERS GUARANTEE
Included Item No. 19, 20, 21
- [4] - NO LONGER AVAILABLE
- [5] - Pos. 1-2-3-4-5-6-7-8-9-10-11-12-13-14-15-16-17-18-26-27
- [6] - Pos. 9-10-11-16-17-18-26
STOCK COVERS GUARANTEE
- [7] - Pos. 4-5-6-7-9-12-13-14-15
- [8] - Pos. 4-8-12-13-14-15-16-17-18-27
- [9] - Pos. 16-17-18
STOCK COVERS GUARANTEE



Pos.	Vare-nr	Antal	Beskrivelse	Notes
01	1466138000	1	CAP BLACK PPL DE 42X11.5 PKD	
02	9098945000	1	COVER PLAST. BLUE F TANK 12L	[1]
03	L08603230	1	Pakning F/Ca340 F/Snavsevandstank	
04	L08603229	1	Pakning F/Ca340 F/Rentvandstank	
08	9100001371	1	CAGE FLOAT PKD	
09	9098944000	1	TANK RECOVERY 12L PLAST. BLUE	[1]
10	9098943000	1	TANK SOLUTION 12L PLAST. BLUE	[1]
11	L08092600	1	Ventilbolt	
12	9100001570	1	DECAL SCRUBTEC 234C SIP	[2]
K1	9099429000	1	COVER PLAST. BLUE F TANK 12L KIT	[3]
K2	9099506000	1	GRIP RECOVERY TANK KIT	[4]
K3	9099505000	1	GRIP SOLUTION TANK KIT	[5]
K4	9099430000	1	TANKS WATER 12L BLUE KIT	[6]

Part Notes:

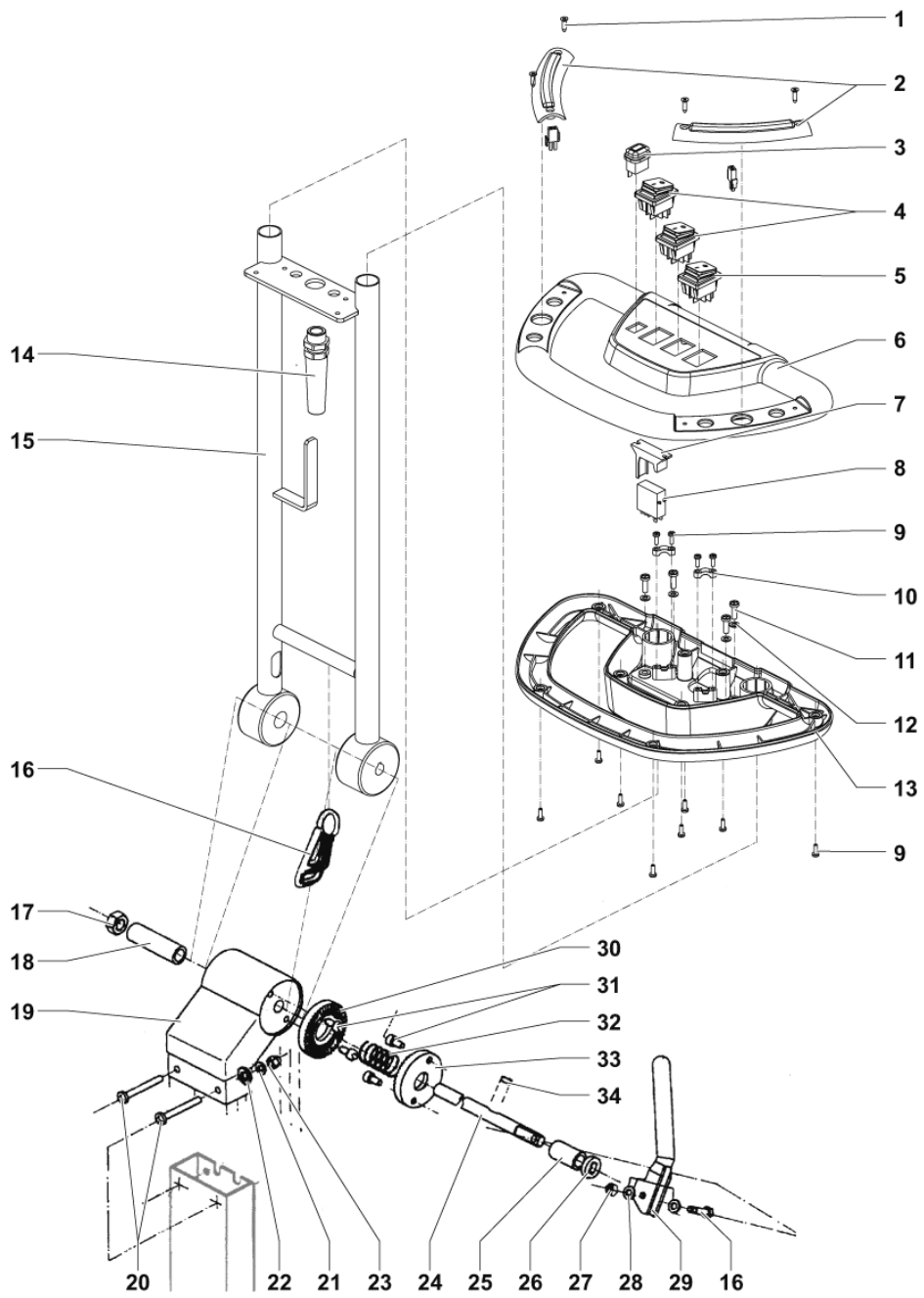
- [1] - STOCK COVERS GUARANTEE
- [2] - SEE PI 2017-002
- [3] - Pos. 2-3-4
STOCK COVERS GUARANTEE
- [4] - Pos. 5-6-7
STOCK COVERS GUARANTEE
- [5] - Pos. 5-13
STOCK COVERS GUARANTEE
- [6] - Pos. 5-6-7-8-11
STOCK COVERS GUARANTEE



Pos.	Vare-nr	Antal	Beskrivelse	Notes
01	L08601157	2	Screw	[1]
02	L08603187	1	Strip F. Ca340 Filter	[2]
03	L08603188	1	Fjeder F. CA 340 Filter	[1]
04	L08603108	1	Låg, Lyddæmper BA/Ca340	[1]
05	L08603104	1	Lyddæmper Ca340	
06	L08603174	1	Spændring F/Ca340 F/Sugemotor	[1]
07	L08603103	1	Lyddæmpning, Bund Ca340	[1]
08	L08600269	2	Slangeklemme C38	[1]
09	L08603092	1	Sugeslange Ca340	
10	L08603101	1	Udblæsningslange Ca340 F/Sugemotor	[1]
11	L08601663	1	Hose Clamp F.Ca340	[1]
12	L08603102	1	PANEL DAMPER	[1]
13	L08603096	1	Filter, Snavsvand Ca340	[1]
14	L08603097	1	Filterrist F/Ca340 F/Snavsevandstank	[1]
15	L08603095	1	Pakning F/Ca340 F/Snavsevandstank	[1]
16	L08603094	1	Pakning F/Ca340 F/Sugeslange	[1]
17	L08603098	1	Pakning F/Ca340 F/Sugemotor	[1]
18	L08603110	1	Filter, Motor Ca/Ba340	
19	909 5040 000	1	Sugemotor	
20	909 5073 000	1	CARBON BRUSH 2 PCS SET	[1]
21	L08812016	1	Seal Sys.Conv.	[1]

Part Notes:

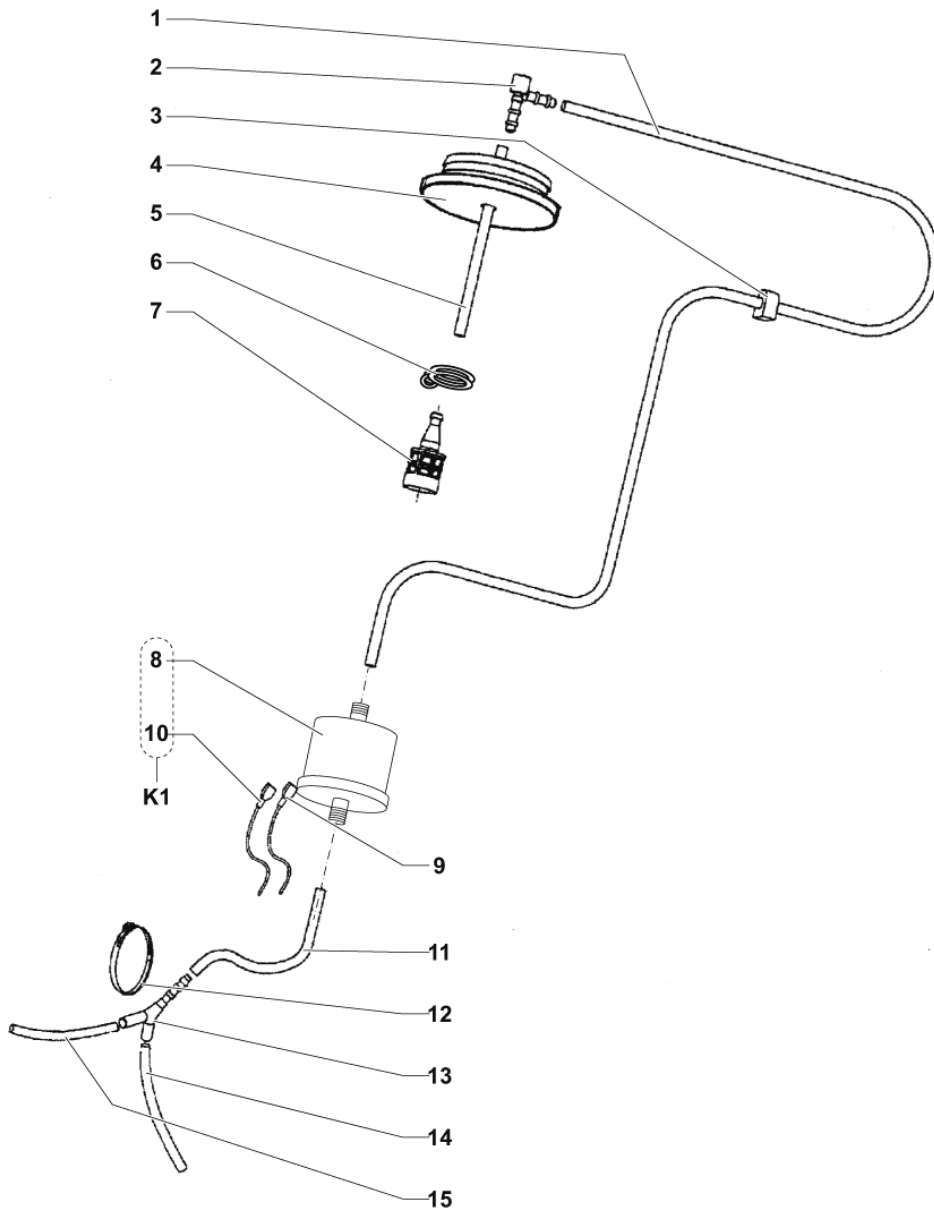
- [1] - STOCK COVERS GUARANTEE
- [2] - NO LONGER AVAILABLE



Pos.	Vare-nr	Antal	Beskrivelse	Notes
1	146 0454 000	4	Screw 3.9X16 Uni6955	[1]
2	9100000467	1	SWITCHES CPL YELLOW F HANDLE BAR KIT	
3	9099358000	1	SWITCH UNIPOLAR	
4	107404540	2	Kontakt (0-1)	
5	9099357000	1	SWITCH DOUBLE-POLE	
6	9099097000	1	HOUSING SWITCH UPPER PLAST.	[2]
7	9099404000	1	SUPPORT MOUNT RELAY	[2]
8	9099307000	1	RELAY 250V 16A	[2]
9	L08603192	14	Skruer	[2]
10	L08600168	3	BLOCK CABLE FIXING	
11	909 5009 000	4	SCREW M5X12 PAN HD PHIL SS ISO7045	
12	33023195	4	WASHER PLAIN M5 ISO7089 10 PCS SET	
13	9099098000	1	HOUSING SWITCH LOWER PLAST.	[2]
14	909 6656 000	1	CLAMP CABLE M 20X1.5	
15	9099295000	1	HANDLE BAR	[2]
16	L08601101	1	HOLDER CABLE	[1]
17	1467685000	1	NUT LOCK HEX M12 LOW ISO10511 5 PCS SET	
18	L08603142	1	Afstandsstk. F/Ca340 F/Håndtagsregulerin	[1]
19	L08603136	1	Housing	[2]
20	L08603190	2	Screw	[2]
21	33023396	1	WASHER PLAIN M6X12 ISO7089 10 PCS SET	
22	33005851	2	Skive M6 Uni1751B	
23	33023669	1	NUT HEX M6 DOMED CAP HIGH 5 PCS SET	[3]
24	L08603140	1	Aksel F/Ca340 F/Håndtagsregulering	[2]
25	L08603191	1	Afstandsstk. F/Ca340 F/Justergreb	[1]
26	L08603143	1	Spændeskive F/Ca340 F/Justergreb	[2]
27	33023667	1	NUT LOCK HEX M6 LOW ISO10511 5 PCS SET	
28	L08603146	1	Lever	[2]
29	L08603175	1	SCREW M6X25 HEX HD P/THD 4.8 ISO4014	[2]
30	L08603137	1	Tandhjulsskive F/Ca340 F/Håndtagsreguler	[2]
31	L08600149	4	Skruer	[2]
32	L08603144	1	Fjeder F/Ca340 F/Håndtagsregulering	[2]
33	L08603138	1	Tandhjulsskive F/Ca340 F/Håndtagsreguler	[2]
34	L08603141	1	Key	
35	9099426000	1	DECAL CONTROL PANEL	[4]

Part Notes:

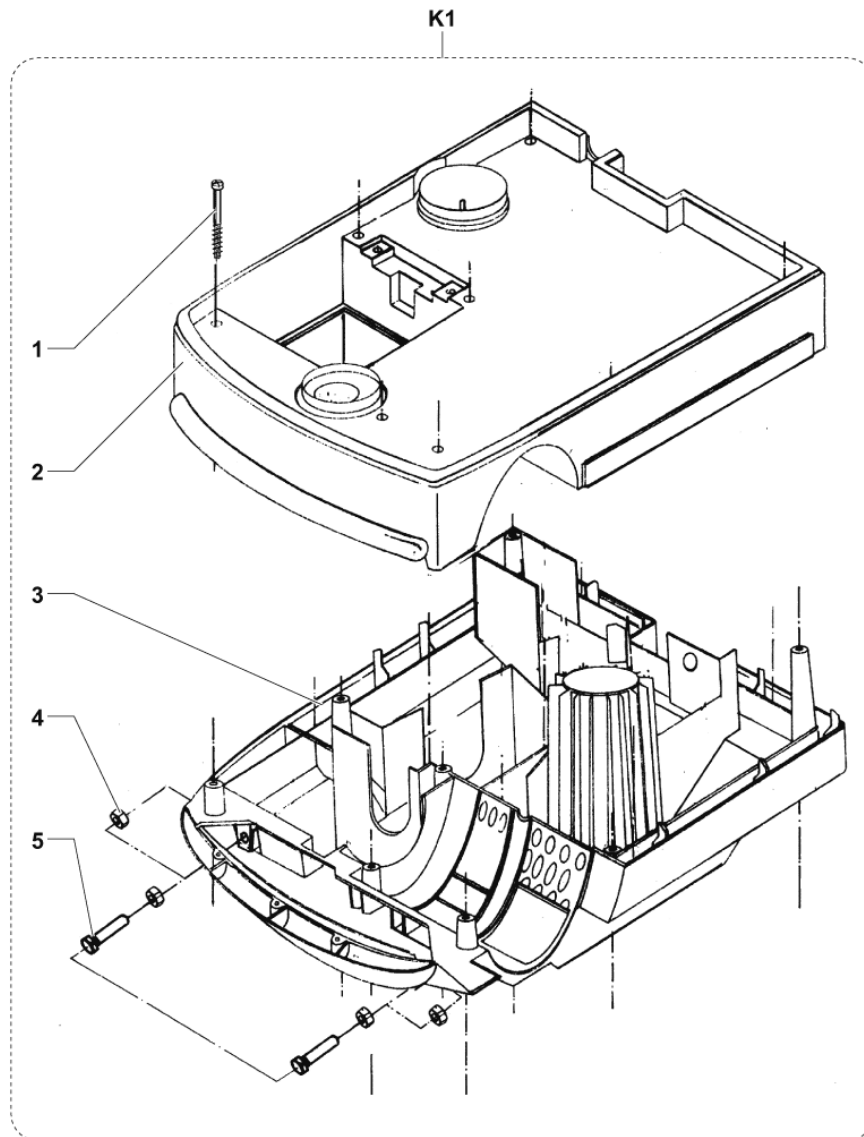
- [1] - NO LONGER AVAILABLE
- [2] - STOCK COVERS GUARANTEE
- [3] - SEE PI 2017-002
- [4] - NOT SHOWN
STOCK COVERS GUARANTEE



Pos.	Vare-nr	Antal	Beskrivelse	Notes
01	L08603735	1	Slange, Seksjon	[1]
02	L08603189	1	Vinkelstykke F/Ca340 F/Vandslange	
03	L08603129	1	Rubber Socket Ca340	[1]
04	9100000733	1	CAP PLASTIC D.42 WHITE WITH HOLE PKD	[1]
05	L08603225	1	Slange, Rentvand Ca340	
06	L08603881	1	CLAMP SELF LOCKING 8.3-8	[1]
07	L08603126	1	Filter, Rentvand Ca/Ba340	
09	L08603200	1	EL.WIRE FOR PUMP	[1]
11	L08603752	1	Slange Ved Y-Stykke BA/Ca340	[1]
12	1466344000	1	TIE CABLE 4.8X200 BLACK 10 PCS SET	
13	L08603133	1	Y-Stykke F/Ca340 F/Vandslange	[1]
14	L08603224	1	Vandslange F/Ca340	[1]
15	L08603223	1	Vandslange F/Ca340	[1]
K1	9100000933	1	Vand Pumpe 230V 40W KIT	[2]

Part Notes:

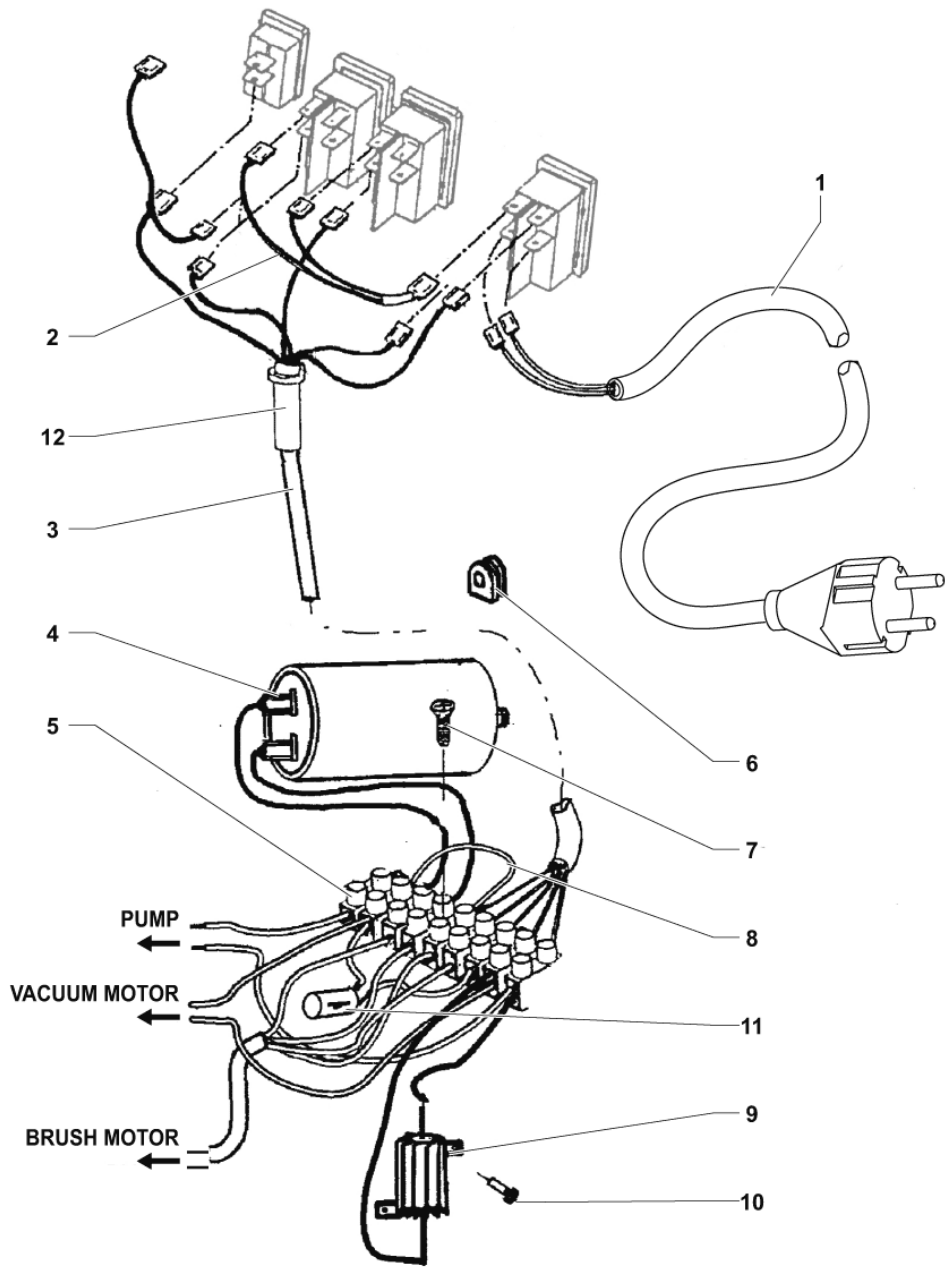
- [1] - STOCK COVERS GUARANTEE
 [2] - Pos. 8-10 - INST. INSTR. 9100000934



Pos.	Vare-nr	Antal	Beskrivelse	Notes
01	909 5893 000	8	Skrue	[1]
02	L08603367	1	Overdel,Karosse F.Ba340	
03	L08603368	1	Underpart Karosse F.CA340	[1]
04	L08603206	4	NUT HEX M8 MEDIUM SS ISO4032	[1]
05	L08603707	2	SCREW M8X30 HEX HD F/THD SS SPECIAL	[2]
K1	9099431000	1	CHASSIS KIT	[3]

Part Notes:

- [1] - STOCK COVERS GUARANTEE
- [2] - NO LONGER AVAILABLE
- [3] - Pos. 1-2-3-4-5



Pos.	Vare-nr	Antal	Beskrivelse	Notes
01	9099359000	1	CABLE POWER SUPPLY	[1]
02	9099361000	1	HARNESS CONTROL PANEL	[1]
03	9099360000	1	HARNESS MACHINE	[1]
04	L08603254	1	Capacitor 10Uf	[1]
05	L08603196	1	CLAMP 10 CHANNELS	[2]
06	L08603129	2	Rubber Socket Ca340	[1]
07	L08093800	1	SCREW 2.9X16 SELF PAN HD PHIL ISO7049	[2]
08	L08603756	1	CABLE BRIDGE UL AWG 18	[2]
09	9099066000	1	RESISTOR KIT	[1]
10	L08348200	1	SCREW 2.9X9.5 SELF PAN HD PHIL ISO7049	[2]
11	L08603912	1	CAPACITOR 0.1UF	[1]
12	L08603150	1	Socket	[1]

Part Notes:

- [1] - STOCK COVERS GUARANTEE
- [2] - NO LONGER AVAILABLE

RECOMMENDED SPARE PARTS

SCRUBTEC 234C

2017.11.02

2015.06.29

Pos.	Vare-nr	Antal	Beskrivelse	Notes
00	9099518000	1	Sugemundstykke Bag Kompl	[1]
00	9099429000	1	COVER PLAST. BLUE F TANK 12L KIT	[2]
00	909 5040 000	1	Sugemotor	[3]
00	9100000701	2	Hjul grå kit Ø75x28	[3]
00	9099521000	1	WEAR PACK KIT	[4]
00	L08603096	1	Filter, Snavsvand Ca340	[2]
00	9100000467	1	SWITCHES CPL YELLOW F HANDLE BAR KIT	[5]
00	9099665000	1	MOTOR BRUSH	[6]
00	L08603094	1	Pakning F/Ca340 F/Sugeslange	[2]
00	9099097000	1	HOUSING SWITCH UPPER PLAST.	[6]
00	9099307000	1	RELAY 250V 16A	[6]
00	L08603253	1	SHELL SCREWED FOR EL.MOT.	[6]
00	L08425200	1	Cylinderbørste nylon blå 330 mm Ø100	[1]
00	9099522000	1	WEAR PACK SICA BRUSH KIT	[4]
00	9099066000	1	RESISTOR KIT	[6]
00	9099515000	1	Sugehoved Komplet	[5]
00	107404540	2	Kontakt (0-1)	[5]
00	L08603177	1	Drivrem Ca340, Børste	[3]
00	9099519000	1	PIPE FITTING KIT	[6]
00	9099516000	1	COVER BRUSH KIT	[6]
00	9099098000	1	HOUSING SWITCH LOWER PLAST.	[6]
00	L08603126	1	Filter, Rentvand Ca/Ba340	[3]
00	9099359000	1	CABLE POWER SUPPLY	[6]
00	L08603095	1	Pakning F/Ca340 F/Snavsevandstank	[2]
00	9099358000	1	SWITCH UNIPOLAR	[5]
00	909 5073 000	1	CARBON BRUSH 2 PCS SET	[2]
00	9099357000	1	SWITCH DOUBLE-POLE	[5]
00	9099520000	1	PEDAL BRUSH LIFTING KIT	[6]
00	L08603076	2	Hjul BA/Ca340, Bag (1stk)	[2]
00	9097353000	1	Sugegummi kit polyurethan 440 mm	[1]
00	L08603254	1	Capacitor 10Uf	[6]
00	9099517000	1	Sugemundstykke For Kompl	[1]
00	9099514000	1	Hardware Brush Fixing Kit	[5]
00	9100000933	1	Vand Pumpe 230V 40W KIT	[5]
00	9099360000	1	HARNESS MACHINE	[6]
00	L08603912	1	CAPACITOR 0.1UF	[2]

Part Notes:

- [1] - NW
- [2] - OM
STOCK COVERS GUARANTEE
- [3] - OM
- [4] - NW
STOCK COVERS GUARANTEE
- [5] - EOM
- [6] - EOM
STOCK COVERS GUARANTEE

