

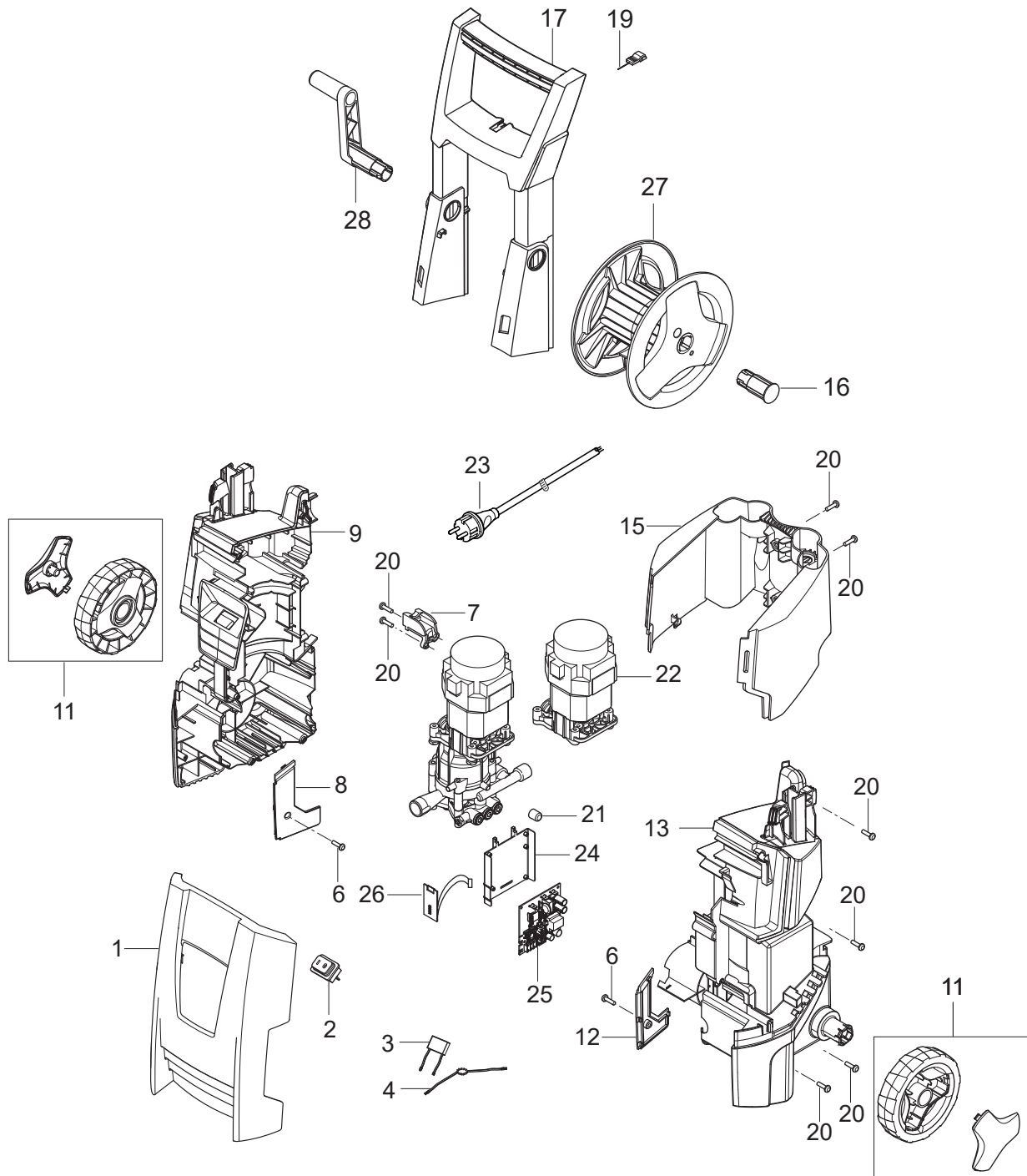
PARTS LIST



2020.01.16

TABLE OF CONTENTS

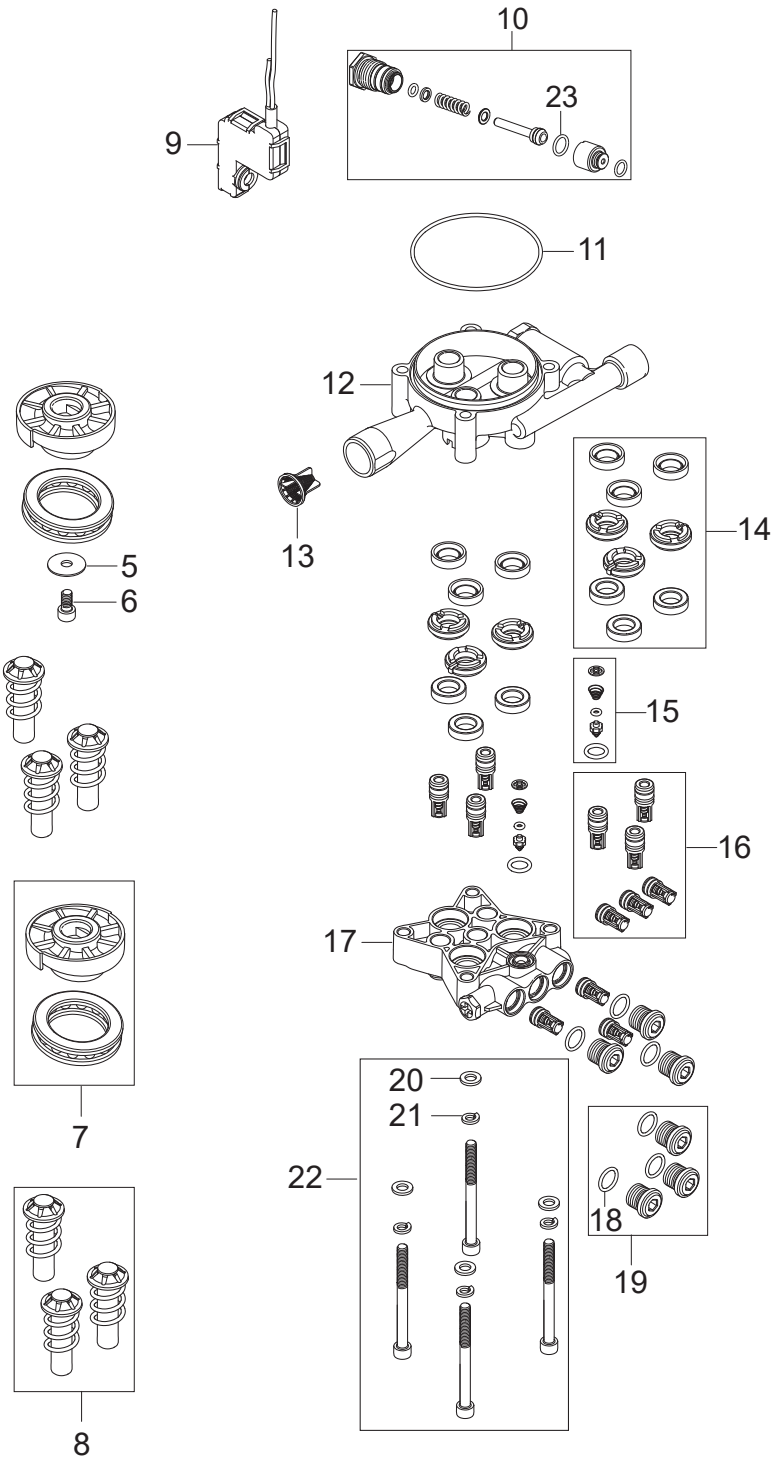
| | |
|--|---|
| Overview | 1 |
| Motor pump | 3 |
| Motor pump from serial no 2511xxxx/02/2019 | 5 |
| Overview from serial no 2511xxxx_02_2019 | 7 |



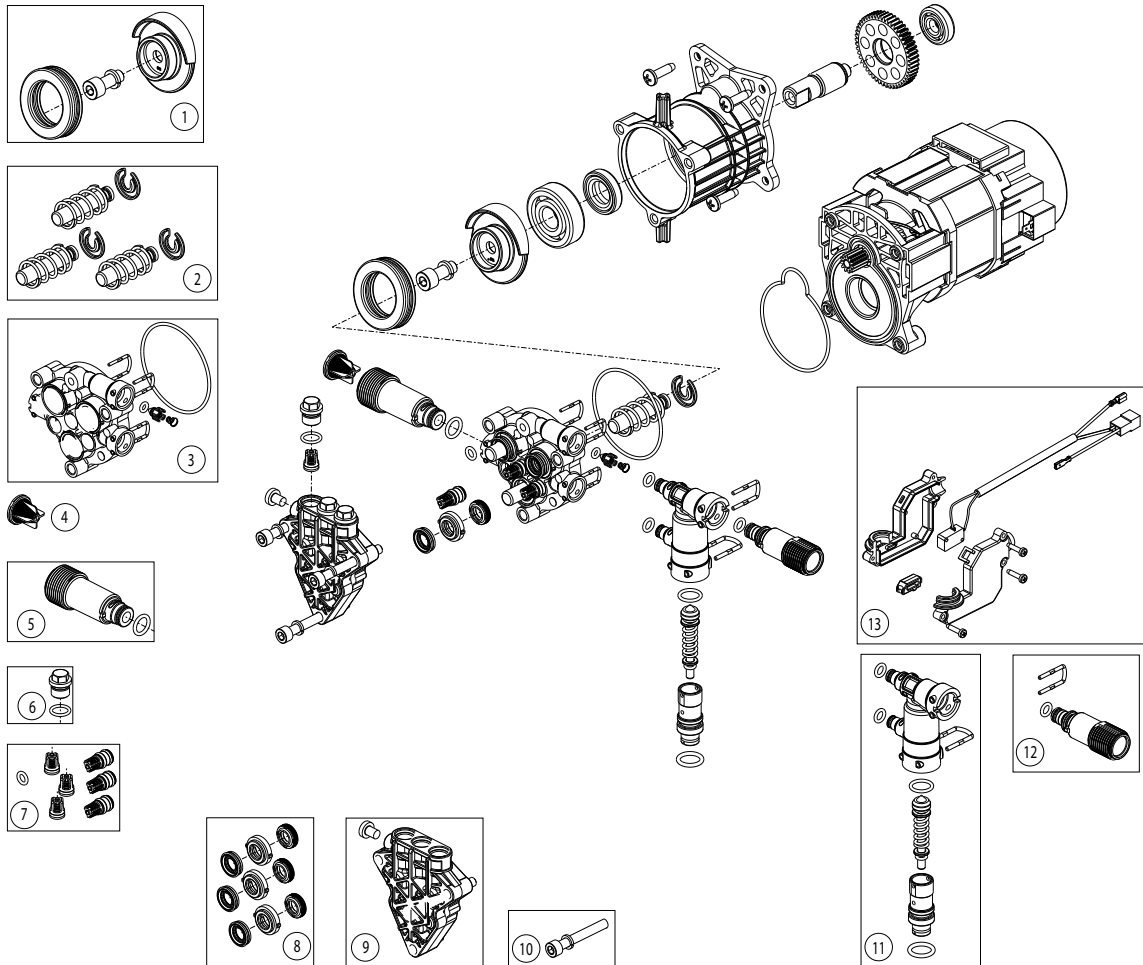
| Pos. | Vare-nr | Antal | Beskrivelse | Notes |
|------|-----------|-------|----------------------------------|-------|
| NS | 128500986 | 1 | BOX 10PCS C-PG 135.1-8 | |
| 1 | 128501156 | 1 | FRONT COVER BLUE C-PG 135.1 | |
| 2 | 127440198 | 1 | Main Switch | |
| 3 | 128500492 | 1 | CAPACITOR UNIVERSAL MPX | |
| 4 | 128500493 | 1 | EMC COIL UNIVERSAL | |
| 6 | 127440056 | 2 | PLASTIC SCREW M4X16 | |
| 7 | 127440243 | 1 | CABLE RELIEF BLACK | |
| 8 | 127440096 | 1 | RIGHT LEG COVER BLACK C120.5 | |
| 9 | 128500805 | 1 | RIGHT CHASSIS COMPACT | [1] |
| 11 | 127440098 | 2 | Hjul-Sæt (Blå) | |
| 12 | 127440099 | 1 | LEFT LEG COVER BLACK C120.5 | |
| 13 | 128500806 | 1 | LEFT CHASSIS COMPACT | [1] |
| 15 | 127440247 | 1 | REAR COVER BLACK | |
| 16 | 127440184 | 1 | Gennemføring | |
| 17 | 128500807 | 1 | HANDLE COMPACT | |
| 19 | 6520844 | 1 | Rensenål sort | |
| 20 | 107141838 | 12 | SCREW K50X18 WN1451 BLACK TORX20 | |
| 21 | 128500029 | 1 | RUBBER MOUNT KIT | |
| 22 | 128500910 | 1 | MOTOR 1.7KW 230V 50HZ | [1] |
| 23 | 128500895 | 1 | PVC POWER CABLE INDUCTION EU | |
| 23 | 128500020 | 1 | POWER CABLE INDUCTION EU | |
| 23 | 128500021 | 1 | POWER CABLE INDUCTION GB/UK | [1] |
| 23 | 128500022 | 1 | POWER CABLE INDUCTION AUS NZ | [2] |
| 24 | 128500808 | 1 | BRACKET FOR PCBA COMPACT | |
| 25 | 128500809 | 1 | pcba powergrip motor | |
| 26 | 128500810 | 1 | Pcba rf modul | |
| 27 | 127440240 | 1 | Slangerulle | |
| 28 | 127440239 | 1 | Håndtag | |

Part Notes:

- [1] - STOCK COVERS GUARANTEE
- [2] - GUARANTEE DATE EXPIRED



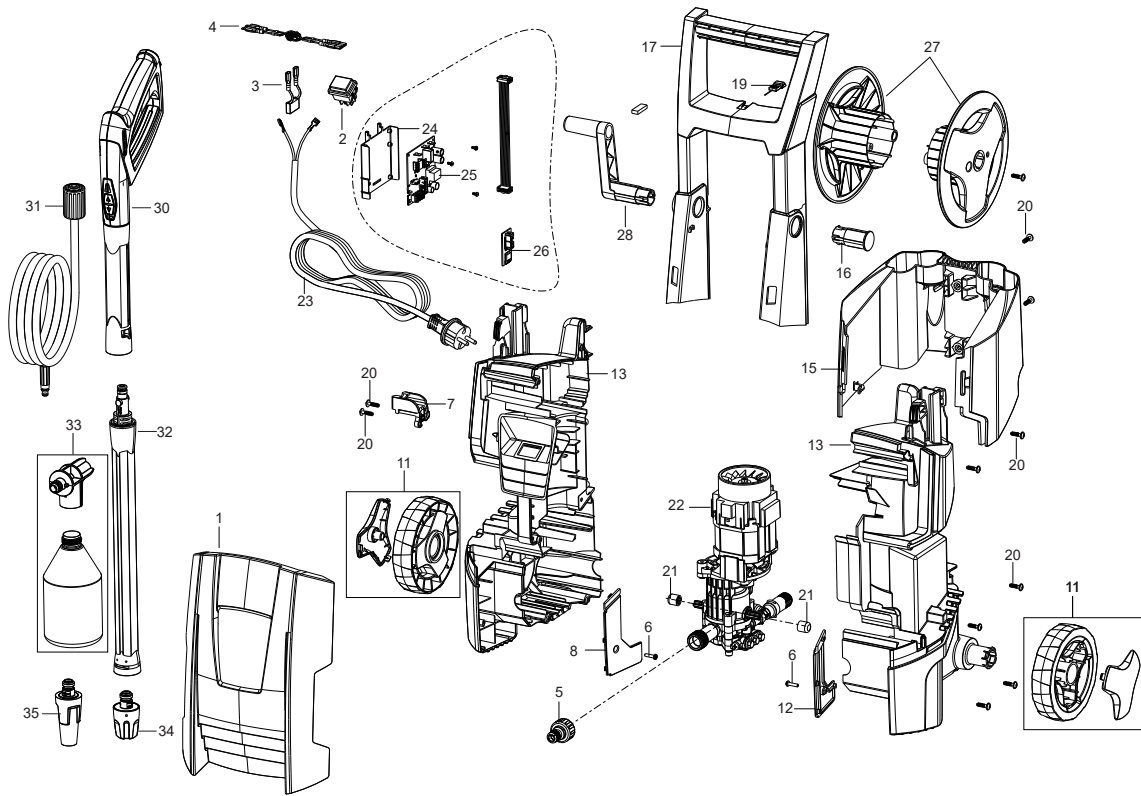
| Pos. | Vare-nr | Antal | Beskrivelse | Notes |
|------|-----------|-------|--------------------------|-------|
| 0 | 5301425 | 1 | Pumpeolie 46 (1 liter) | |
| 5 | 127130066 | 1 | Spændeskive Ø22XØ6.4X1.5 | |
| 6 | 4818 | 1 | Bolt M6X20 | |
| 7 | 127440248 | 1 | 8.1Deg. Wobble Disc Kit | |
| 8 | 127440075 | 1 | DIA.12 PUMP PISTON KIT | |
| 9 | 127440249 | 1 | Micro Switch Box Kit | |
| 10 | 127440077 | 1 | Start/stop system Kit | |
| 11 | 127440078 | 1 | o-ring 72x2 | |
| 12 | 127440079 | 1 | Cylinder Block | |
| 13 | 6528574 | 1 | Filter | |
| 14 | 128500993 | 1 | THRUST COLLAR WATER KIT | |
| 15 | 127440082 | 1 | Ventil-Sæt (1 stk.) | |
| 16 | 127440083 | 1 | Ventil-Sæt | |
| 17 | 127440084 | 1 | Topstykke | |
| 18 | 127440085 | 3 | O-Ring 11.7X2.0 Sh90 | |
| 19 | 128500851 | 1 | PRESSURE VALVE PLUG KIT | |
| 20 | 127500029 | 4 | WASHER | |
| 21 | 127500050 | 4 | SPRING WASHER | |
| 22 | 127500071 | 1 | SCREW M6X70 DIN 912 4PCS | |
| 23 | 128500324 | 1 | O-ring start/stopventil | |



| Pos. | Vare-nr | Antal | Beskrivelse | Notes |
|------|-----------|-------|-------------------------------|-------|
| | | | From serial number see note | [1] |
| 1 | 128501500 | 1 | WOBBLE DISC KIT 11.8 DEG | |
| 2 | 128501506 | 1 | DIA.10 PUMP PISTON KIT | |
| 3 | 128501505 | 1 | CYLINDER BLOCK | |
| 4 | 6528574 | 1 | Filter | |
| 5 | 128501507 | 1 | WATER INLET | |
| 6 | 128501501 | 3 | PRESSURE VALVE PLUG KIT | |
| 7 | 128501502 | 1 | INLET OUTLET VALVE | |
| 8 | 128501508 | 1 | THRUST COLLAR WATER KIT | |
| 9 | 128501503 | 1 | CYLINDER HEAD WITH M6X8 SCREW | |
| 10 | 128501504 | 3 | SCREW M6X55 | |
| 11 | 128501510 | 1 | START STOP SYSTEM KIT | |
| 12 | 128501509 | 1 | WATER OUTLET SP | |
| 13 | 128501511 | 1 | MICRO SWITCH BOX KIT | |

Part Notes:

- [1] - C135.1-8 EU from serial no. 25118954/02/2019
 C-PG 135.1-8 X-TRA EU from serial no. 25118986/02/2019
 C-PG 135.1-8 X-TRA UK from serial no. 25119018/02/2019
 CLASSIC 130.3 PC XTRA from serial no. 25119034/02/2019
 CLASSIC 130.3 PDX XTRA from serial no. 25119052/02/2019



| Pos. | Vare-nr | Antal | Beskrivelse | Notes |
|------|-----------|-------|----------------------------------|-------|
| | | | From serial number see note | [1] |
| NS | 128500986 | 1 | BOX 10PCS C-PG 135.1-8 | |
| 1 | 128501156 | 1 | FRONT COVER BLUE C-PG 135.1 | |
| 2 | 127440198 | 1 | Main Switch | |
| 3 | 128500492 | 1 | CAPACITOR UNIVERSAL MPX | |
| 4 | 128500493 | 1 | EMC COIL UNIVERSAL | |
| 5 | 1402809 | 1 | Lynkoblingsstuds | |
| 6 | 127440056 | 2 | PLASTIC SCREW M4X16 | |
| 7 | 127440243 | 1 | CABLE RELIEF BLACK | |
| 8 | 127440096 | 1 | RIGHT LEG COVER BLACK C120.5 | |
| 11 | 127440098 | 2 | Hjul-Sæt (Blå) | |
| 12 | 127440099 | 1 | LEFT LEG COVER BLACK C120.5 | |
| 13 | 128501512 | 1 | LEFT AND RIGHT CHASSIS COMPACT | |
| 15 | 127440247 | 1 | REAR COVER BLACK | |
| 16 | 127440184 | 1 | Gennemføring | |
| 17 | 128500807 | 1 | HANDLE COMPACT | |
| 19 | 6520844 | 1 | Rensenål sort | |
| 20 | 107141838 | 12 | SCREW K50X18 WN1451 BLACK TORX20 | |
| 21 | 128500029 | 1 | RUBBER MOUNT KIT | |
| 22 | | 1 | MOTOR 1.7KW 230V 50HZ | [2] |
| 23 | 128500895 | 1 | PVC POWER CABLE INDUCTION EU | |
| 23 | 128500020 | 1 | POWER CABLE INDUCTION EU | |
| 23 | 128500021 | 1 | POWER CABLE INDUCTION GB/UK | [3] |
| 23 | 128500022 | 1 | POWER CABLE INDUCTION AUS NZ | [4] |
| 24 | 128500808 | 1 | BRACKET FOR PCBA COMPACT | |
| 25 | 128500809 | 1 | pcba powergrip motor | |
| 26 | 128500810 | 1 | Pcba rf modul | |
| 27 | 127440240 | 1 | Slangerulle | |
| 28 | 127440239 | 1 | Håndtag | |
| 30 | 126481132 | 1 | Spulehåndtag G3 | |
| 31 | 128500080 | 1 | Højtryksslange 8 m | |
| 32 | 126481134 | 1 | Click&Clean mellemrør G3 | |
| 33 | 128500077 | 1 | Click&Clean skumsprayer med dunk | |
| 34 | 126481114 | 1 | Click&Clean Tornado dyse (gul) | |
| 35 | 128501153 | 1 | C & C Powerspeed dyse (ny model) | |

Part Notes:

- [1] - C-PG 135.1-8 X-TRA EU from serial no. 25118986/02/2019
C-PG 135.1-8 X-TRA UK from serial no. 25119018/02/2019
- [2] - Motor pump from serial no 2511xxxx/02/2019
- [3] - STOCK COVERS GUARANTEE
- [4] - GUARANTEE DATE EXPIRED

