

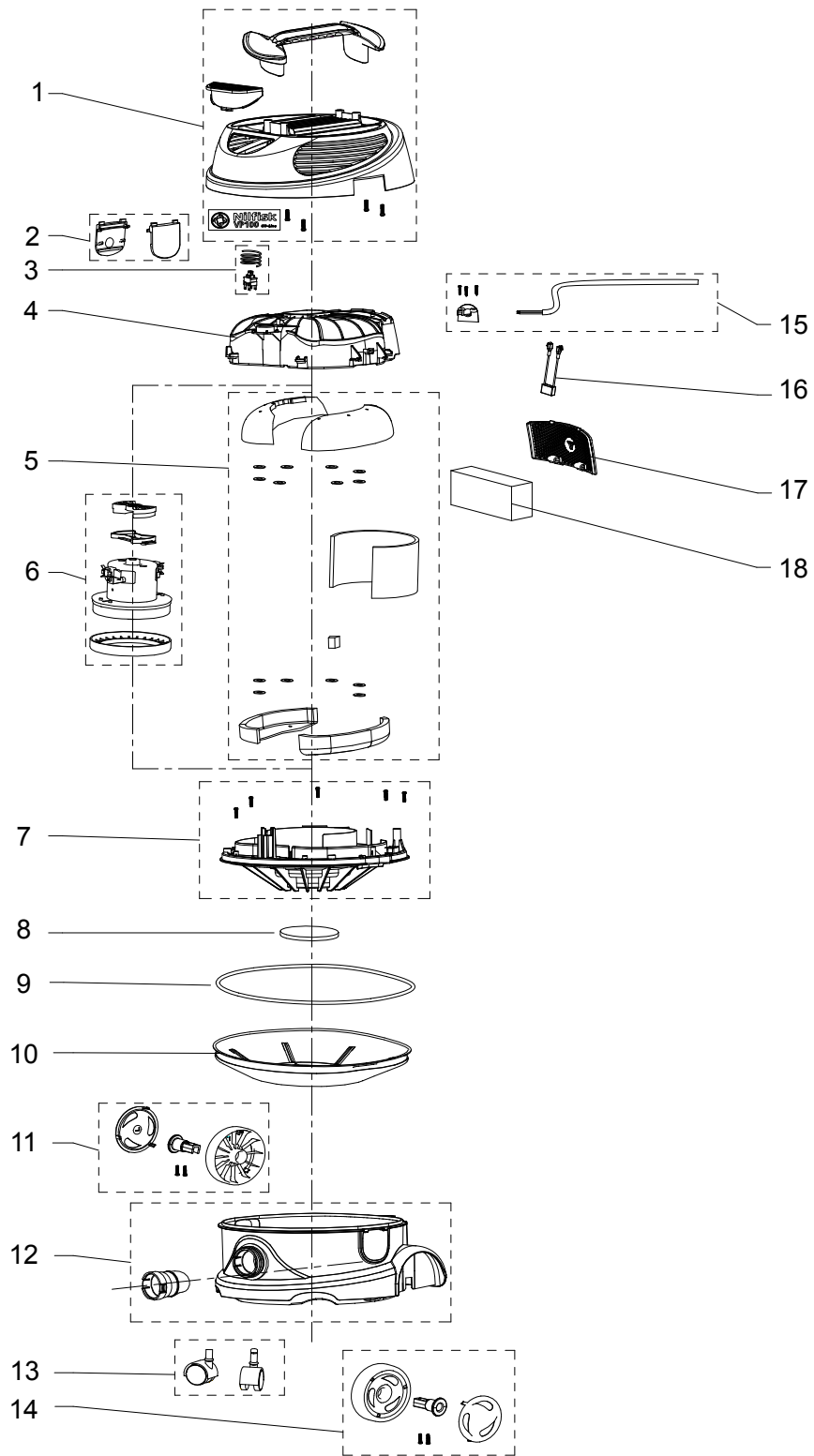
PARTS LIST



2019.11.06

TABLE OF CONTENTS

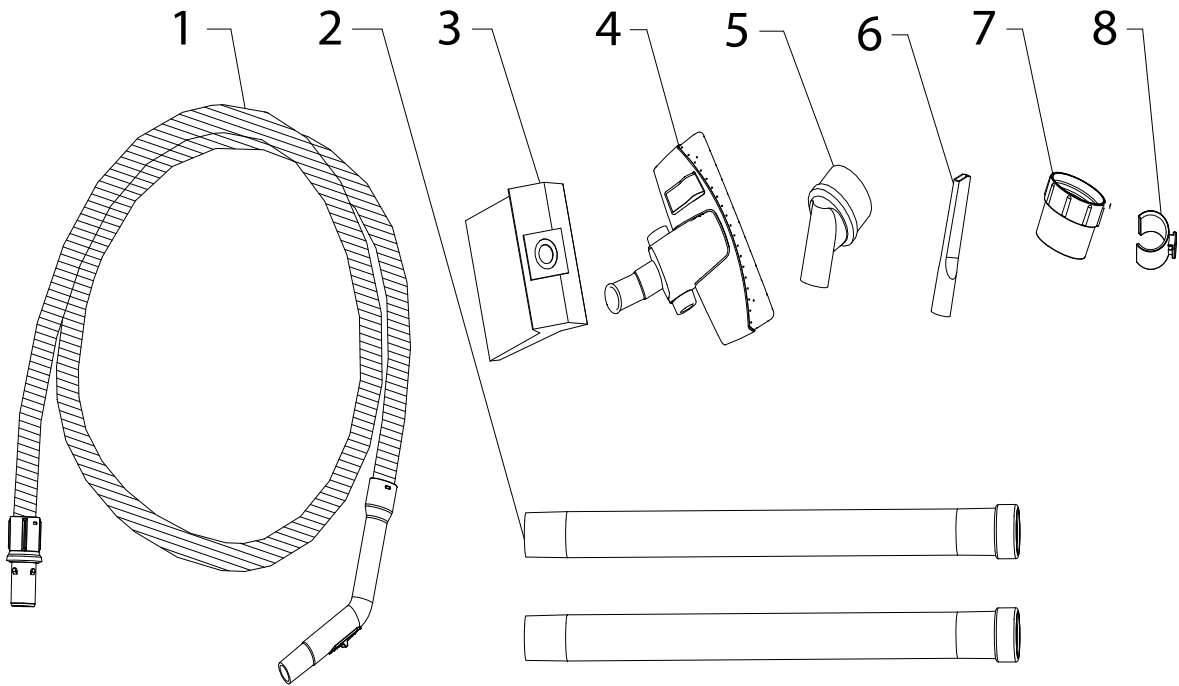
Overview	1
Accessories	3
Wear and tear parts	5



Pos.	Vare-nr	Antal	Beskrivelse	Notes
1	VA81751	1	VP100 MACHINE HEAD COVER KIT	
2	VA81601	1	LATCHCx2 KIT	
3	VA81395	1	DSU8/DSU10 FOUR FEET SWITCH KIT	
4	VA85013	1	DSU8 AND DSU10 MOTOR COVER KIT	
5	VA81362	1	DSU8/DSU10 NOISE REDUCTION SPONGE KIT	
6	ZD66000	1	MOTOR 230V1000W	[1]
6	VA81755	1	VP100 MOTOR ASSEMBLY KIT	
7	VA81752	1	VP100 MOTOR MOUNTING BASE KIT	
8	VA85064	1	EAGLE2 MOTR FRONT FILTER PLATE KIT	
9	VA81212	1	DSU8 AND DSU10 GASKET KIT	
10	VA81235	1	Hovedfilter til Viper DSU 8 & DSU 10	
11	VA81753	1	VP100 RIGHT REAR BIG WHEEL KIT	
12	VA85034-020	1	VP100 TANK + INTAKE KIT	
13	VA81599	1	40MM Casterhjul Viper DSU serien	
14	VA81754	1	VP100 LEFT REAR BIG WHEEL KIT	
15	VA81606	1	VP100 EU POWER CORD+SLEEVE KIT	
15	VA81607	1	VP100 UK POWER CORD+SLEEVE KIT	
16	VA80095	1	ELECTRIC CAPACITOR	
17	VA85016-01	1	EXHAUST COVER	
18	VA85065	1	HEPA13 Filter til Viper DSU	

Part Notes:

[1] - ErP 2017



Pos.	Vare-nr	Antal	Beskrivelse	Notes
1	107415116	1	Slange antistatisk Ø32	
1	147 0765 500	1	Sugeslange komplet sort 1,9 m Ø32	
2	140 8246 040	2	Forlængerrør stål 500 mm Ø32	
3	VA81799-P10	1	10PCS PAPER DUST BAGS IN ONE PACKING	
4	107411677	1	Kombimundstykke kit Ø32	
5	140 8244 500	1	Rundbørste Ø32	
6	147 0146 500	1	Fugemundstykke 153 mm Ø32	
7	VA81653	1	VP100 SUCTION HOSE INLET	
8	VA81570	1	VP100 Parkeringsclips Ø32	

Pos.	Vare-nr	Antal	Beskrivelse	Notes
1	107415116	1	Slange antistatisk Ø32	
1	147 0765 500	1	Sugeslange komplet sort 1,9 m Ø32	
2	140 8246 040	1	Forlængerrør stål 500 mm Ø32	
3	VA81799-P10	1	10PCS PAPER DUST BAGS IN ONE PACKING	
4	107411677	2	Kombimundstykke kit Ø32	
5	140 8244 500	1	Rundbørste Ø32	
6	147 0146 500	1	Fugemundstykke 153 mm Ø32	
7	VA85065	1	HEPA13 Filter til Viper DSU	
8	VA85064	1	EAGLE2 MOTR FRONT FILTER PLATE KIT	

