

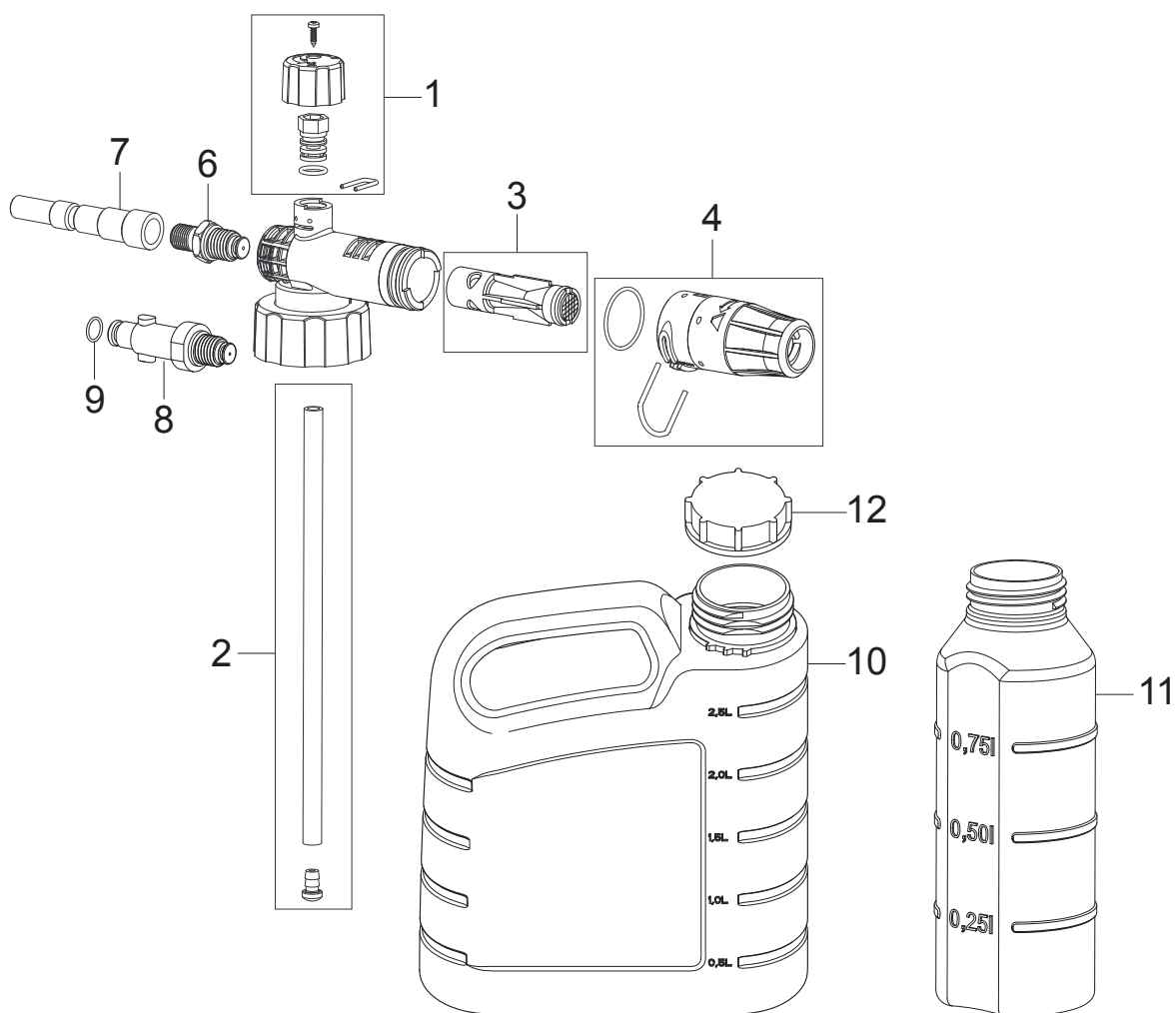
PARTS LIST

Accessories

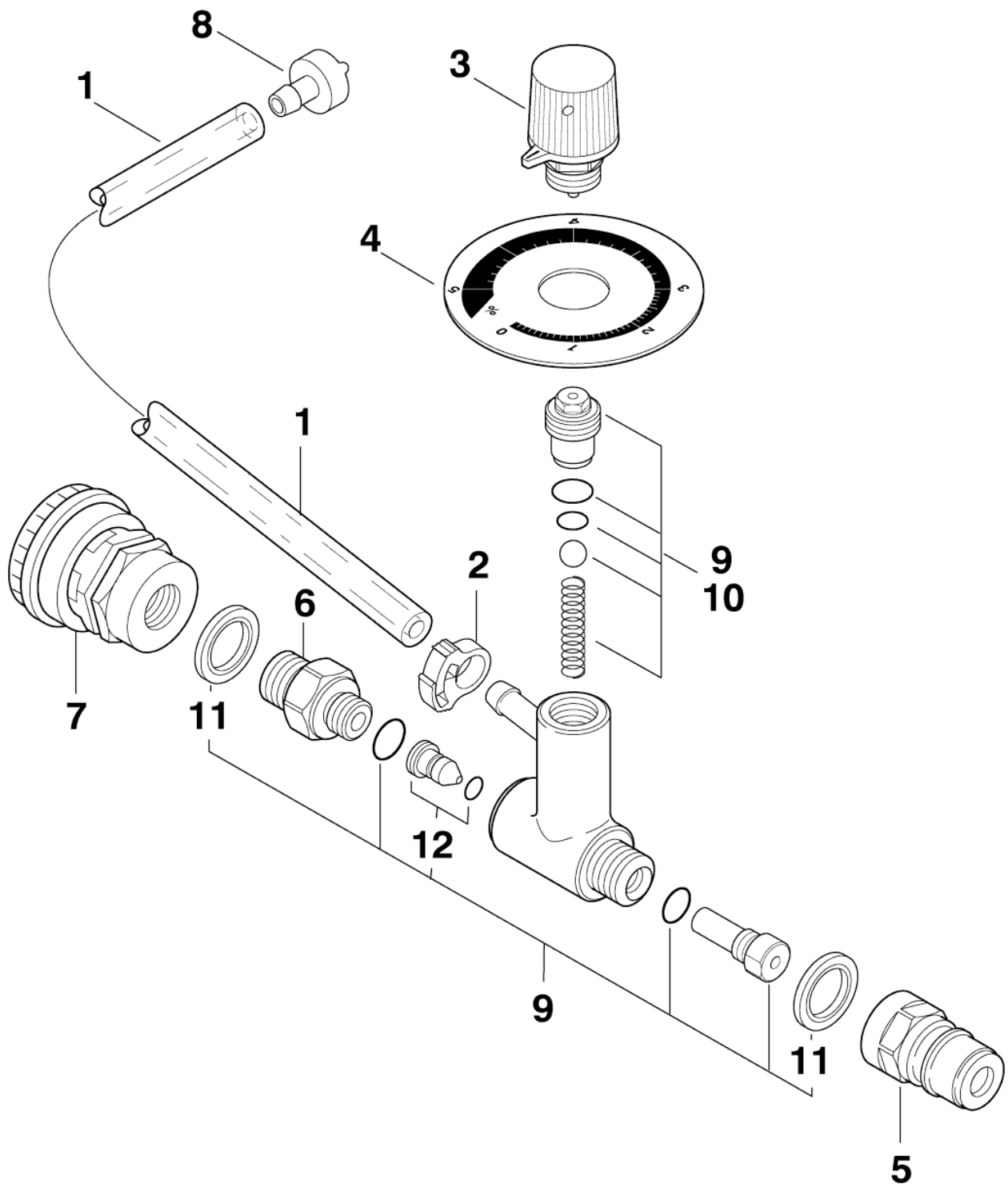
2019.05.23

TABLE OF CONTENTS

| | |
|---|----|
| 106408234, 106408235, 106408236 - Foam sprayer 2015..... | 1 |
| 6401244, 6401246 - Foam injector..... | 3 |
| 6401242, 6401243 - Foam injector with by-pass..... | 5 |
| 6401245 - Foam injector High-resistant..... | 7 |
| 6404368, 6404369 - Foam lance..... | 9 |
| 6401246, 106402248 - Injector 02, POSEIDON 8 and SOLAR 8..... | 11 |
| 6401247 - Injector A2, 03..... | 13 |
| 6401241, 6401250 - Chemical injector 40H/HA..... | 15 |
| 6401092 - Injector with fixed dosage..... | 17 |
| 6402023, 6402024, 6402071 - Ball valves..... | 19 |
| 1119323 - TAP A..... | 21 |
| 6300550, 6300551 - TAP B..... | 23 |
| 6401233 - Soft blasting..... | 25 |
| 106411184, 106411177, 106411178, 106411179 - BA valve..... | 27 |



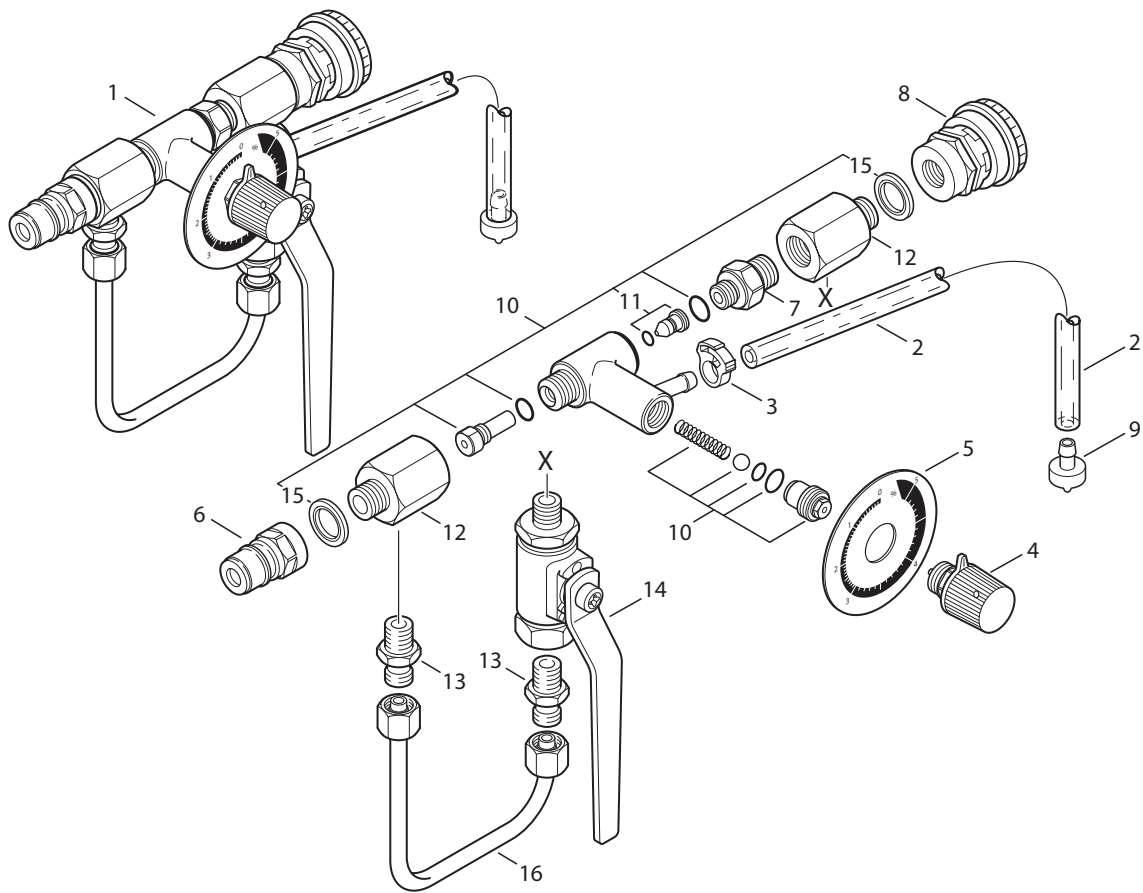
| Pos. | Vare-nr | Antal | Beskrivelse | Notes |
|------|-----------|-------|---------------------------------------|-------|
| 0 | 106408236 | 1 | Vario skumsprayer HF 0950 | |
| 0 | 106408235 | 1 | Vario skumsprayer 1 liter 0550 | |
| 0 | 106408234 | 1 | Vario skumsprayer 1 liter 0370 | |
| 1 | 31000902 | 1 | ADJUSTMENT KNOB BLUE | |
| 2 | 31000904 | 1 | HOSE WITH LIMITER - 0450 - BLACK | |
| 2 | 31000907 | 1 | HOSE WITH LIMITER - 0370 - DARK BROWN | |
| 3 | 31001015 | 1 | AIR NOZZLE WITH FILTER - 0550 | |
| 3 | 31000908 | 1 | AIR NOZZLE WITH FILTER - 0370 | |
| 3 | 31000909 | 1 | AIR NOZZLE WITH FILTER - 0950 | |
| 4 | 31000910 | 1 | SPRAY ANGLE ADJUST UNIT BLUE | |
| 6 | 31000913 | 1 | NOZZLE - 0370 | |
| 7 | 1609325 | 1 | KEW stiknippel 1/4" | |
| 8 | 31000914 | 1 | NIPPLE WITH NOZZLE - 0300 | |
| 9 | 3004279 | 1 | O-ring 9,3 x 2,4 | |
| 10 | 107141635 | 1 | Flaske til rengøringsmiddel 2,5 liter | |
| 11 | 31000912 | 1 | Dunk 1 liter uden låg | |
| 12 | 106408247 | 1 | Låg f. kemi dunk ø65x20,5 | |



| Pos. | Vare-nr | Antal | Beskrivelse | Notes |
|------|-----------|-------|-------------------------------------|-------|
| 0- | 6401244 | 1 | Ekstern skuminjektor (> 850 l/time) | |
| 0- | 6401246 | 1 | Ekstern injektor 02 lavtryk | [1] |
| 1 | 106408243 | 1 | HOSE 1/4INCH TRANSPARENT - 5 METERS | |
| 2 | 1810084 | 1 | Spændebånd Ø10,8/12,3 | |
| 3 | 6101778 | 1 | Doserspindel | |
| 4 | 6400363 | 1 | Skala F. Skuminjektor | |
| 5 | 1603101 | 1 | Ergo højtryksskobling DN10 RF han | |
| 6 | 6150675 | 1 | Studs | |
| 7 | 106402075 | 1 | Ergo højtryksskobling DN10 3/8" hun | |
| 8 | 6400240 | 1 | Filter | |
| 9 | 1119107 | 1 | Rep. sæt til skuminjektor | |
| 9 | 1119678 | 1 | FOAM INJECTOR PROF. REP.KIT | [1] |
| 10 | 1119322 | 1 | Rep.Kit F. Skuminj. 02-03 | |
| 11 | 1801075 | 2 | Tætningsskive 3/8" | |
| 12 | 1119815 | 1 | Rep.Sæt Dyse M/O-Ring | |
| 12 | 6411024 | 1 | FOAM INJECTOR NOZZLE COMPL. | [1] |

Part Notes:

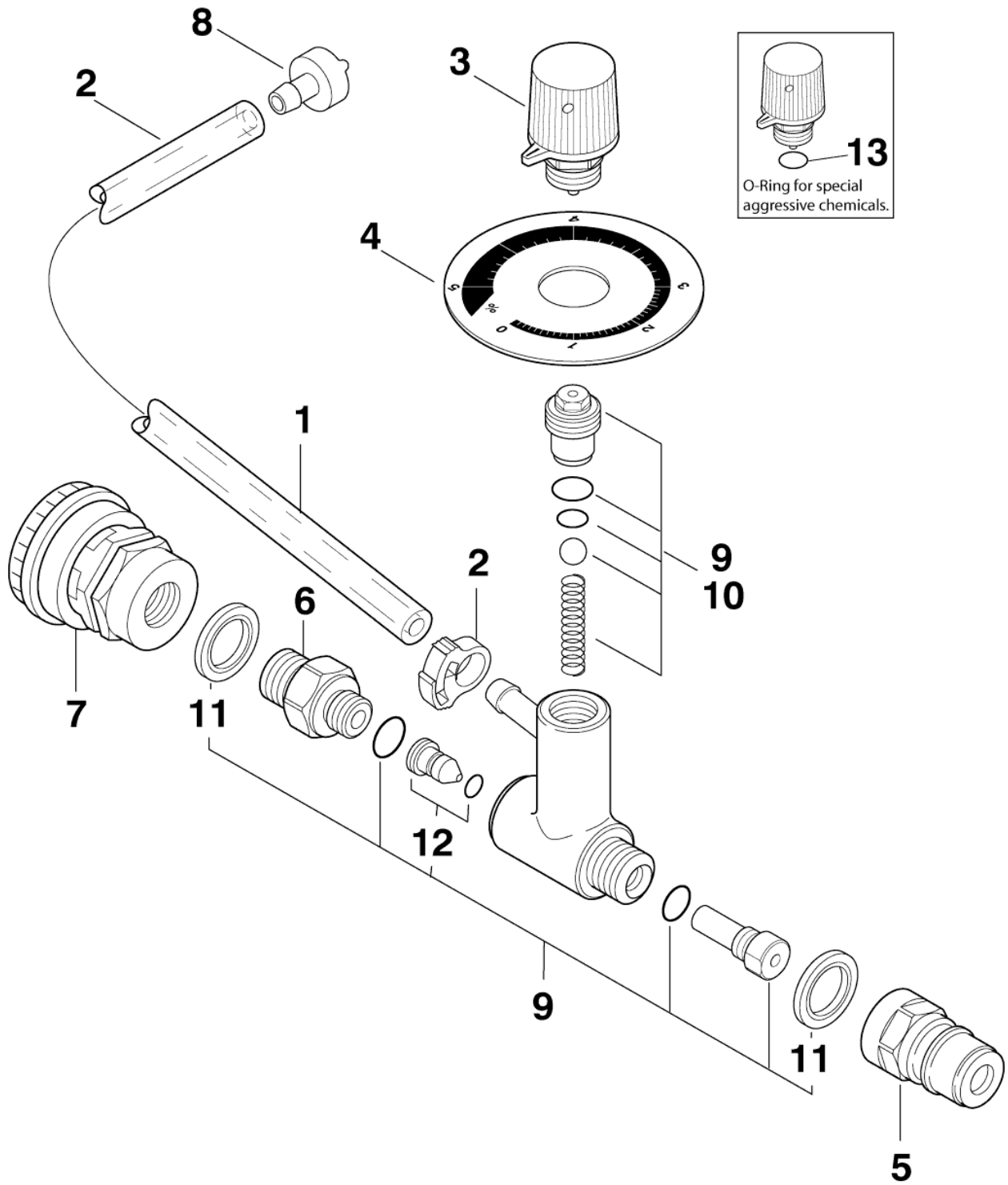
[1] - Professional 5500



| Pos. | Vare-nr | Antal | Beskrivelse | Notes |
|------|-----------|-------|-------------------------------------|-------|
| 1 | 6401243 | 1 | Ekstern skuminjektor m. omløb RF | [1] |
| 1 | 6401242 | 1 | Ekstern skuminjektor m. omløb | |
| 2 | 106408243 | 1 | HOSE 1/4INCH TRANSPARENT - 5 METERS | |
| 3 | 1810084 | 1 | Spændebånd Ø10,8/12,3 | |
| 4 | 6101778 | 1 | Doserspindel | |
| 5 | 6400363 | 1 | Skala F. Skuminjektor | |
| 6 | 1603101 | 1 | Ergo højtryksskobling DN10 RF han | |
| 7 | 6150675 | 1 | Studs | |
| 8 | 106402075 | 1 | Ergo højtryksskobling DN10 3/8" hun | |
| 9 | 6400240 | 1 | Filter | |
| 10 | 1119107 | 1 | Rep. sæt til skuminjektor | |
| 11 | 1119815 | 1 | Rep.Sæt Dyse M/O-Ring | |
| 12 | 6401744 | 2 | Overgangsstykke | |
| 13 | 6401891 | 2 | Ligeforskruning Ø8X1/4 | [1] |
| 14 | 3401916 | 1 | "Hydroball-Hane 1/4" " " | |
| 14 | 1119376 | 1 | Rep.Sæt F. Hydroball-Hane | |
| 15 | 1801075 | 2 | Tætningskive 3/8" | |
| 16 | 4841130 | 1 | Rør F. By-Pass Kompl. | |
| 16 | 6403401 | 1 | Rør For By-Pass Komp. | |

Part Notes:

[1] - Stainless Steel

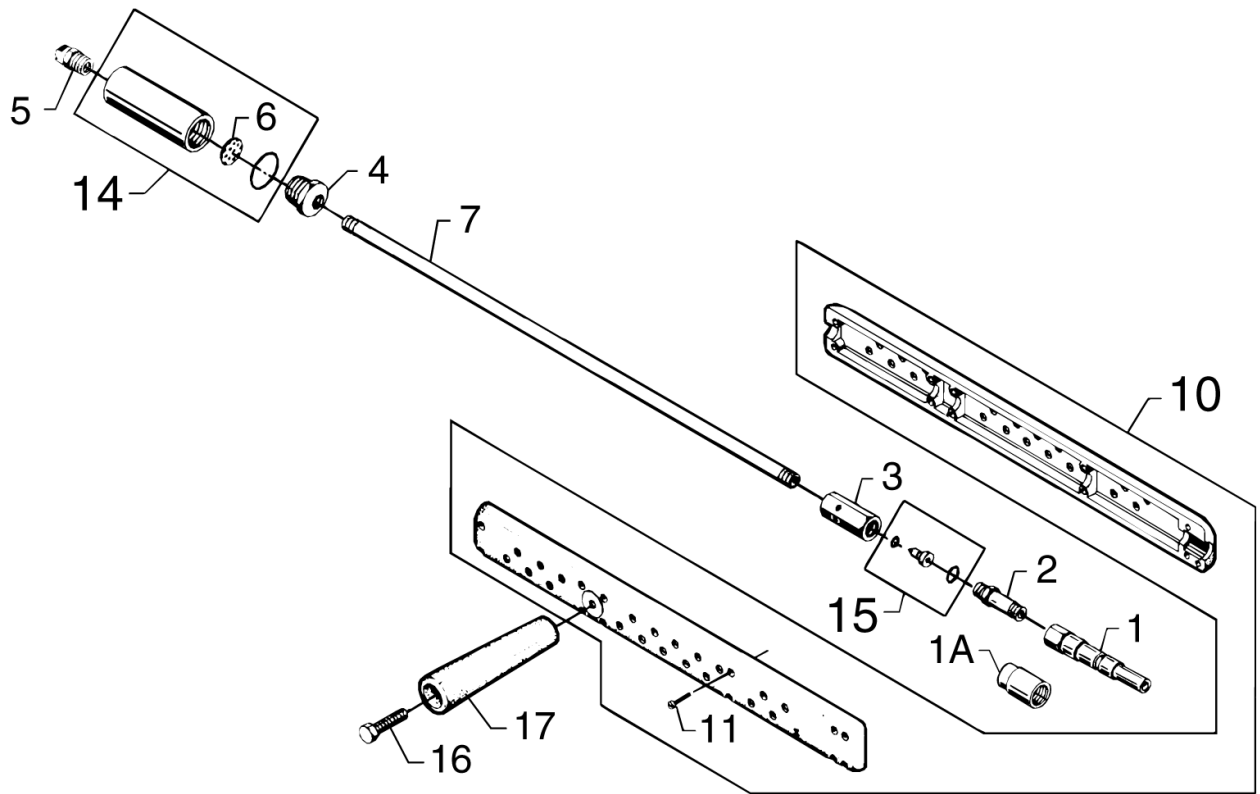


| Pos. | Vare-nr | Antal | Beskrivelse | Notes |
|------|-----------|-------|--|-------|
| | | | MI - 6409024 Foam Injector | [1] |
| 0- | 6401245 | 1 | Ekstern skuminjektor (aggressive væsker) | |
| 1 | 106408243 | 1 | HOSE 1/4INCH TRANSPARENT - 5 METERS | |
| 2 | 1810084 | 1 | Spændebånd Ø10,8/12,3 | |
| 3 | 6402333 | 1 | Doserspindel | |
| 4 | 6400363 | 1 | Skala F. Skuminjektor | |
| 5 | 1603101 | 1 | Ergo højtryksskobling DN10 RF han | |
| 6 | 1606201 | 1 | SOCKET FOR QUICK COUPLER | |
| 7 | 106402075 | 1 | Ergo højtryksskobling DN10 3/8" hun | |
| 8 | 6400240 | 1 | Filter | |
| 9 | 1119331 | 1 | Rep.Sæt F Højbes. Skuminj | |
| 10 | 1119333 | 1 | Rep.Sæt F. Højbes. Skumin | |
| 11 | 1807908 | 2 | "Tætningsskive Rf. 3/8" " | |
| 12 | 1119815 | 1 | Rep.Sæt Dyse M/O-Ring | |
| 13 | 103004367 | 1 | O-RING 5.94X3.53 HIFLUOR | [2] |

Part Notes:

- [1] - MI - 6409024 Foam Injector
 [2] - Note: this o-ring si not standard on the injector.

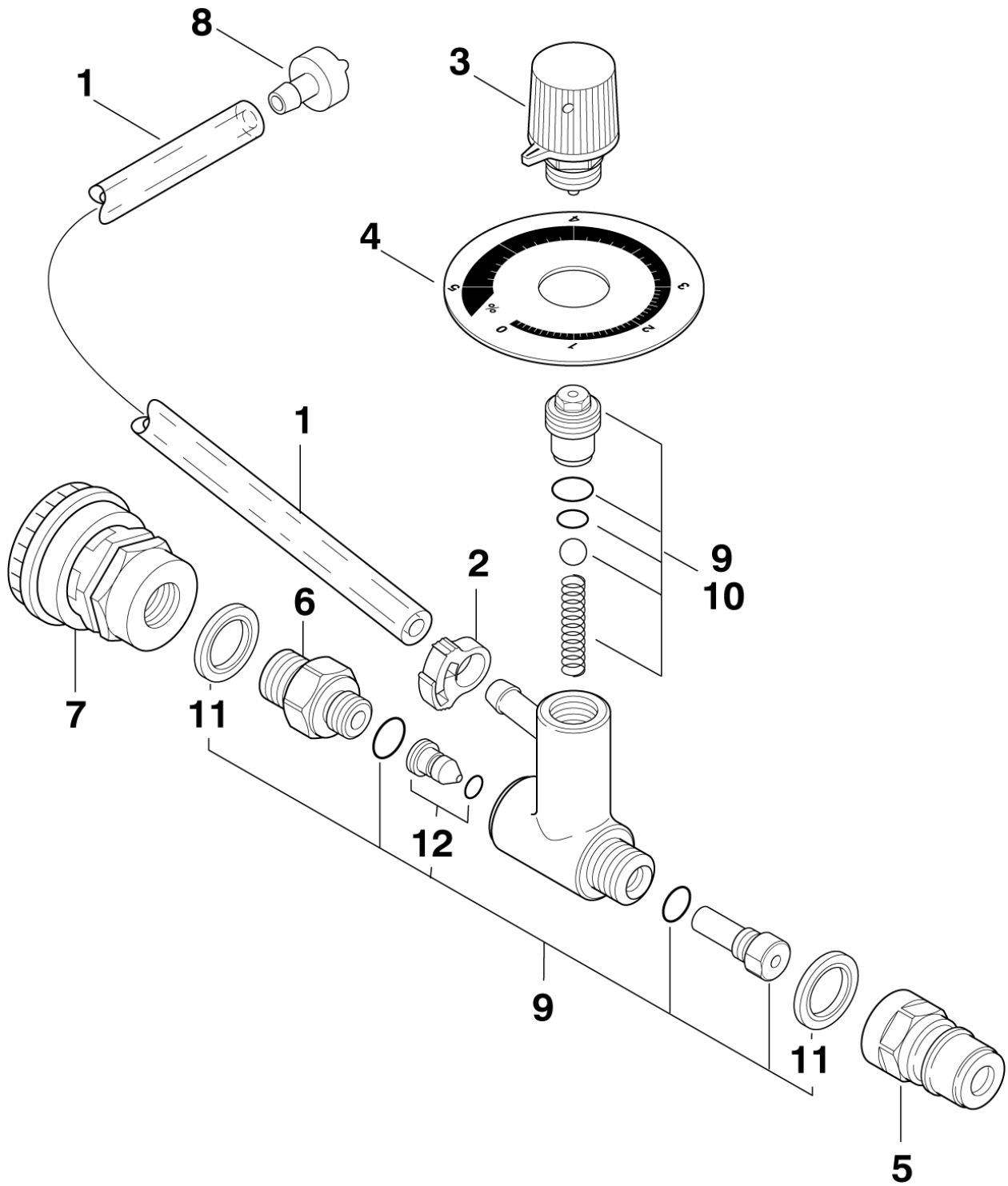
Pos. 13. The Hiflour o-ring is very expensive and not stardard on the complete injector as well as position 3.



| Pos. | Vare-nr | Antal | Beskrivelse | Notes |
|------|-----------|-------|----------------------------|-------|
| 0- | 6404368 | 1 | Skumlanse komplet 60 cm | [1] |
| 0- | 6404369 | 1 | Skumlanse komplet 120 cm | [2] |
| 1 | 1609325 | 1 | KEW stiknippel 1/4" | |
| 1A | 1609325 | 1 | KEW stiknippel 1/4" | [3] |
| 2 | 6400628 | 1 | Forskruning F.Luftinjekt. | |
| 3 | 6400627 | 1 | Luftinjektor | |
| 4 | 6400631 | 1 | Forskruning F.Dysebesk. | |
| 5 | 2800605 | 1 | Skumdyse 40150 | [2] |
| 5 | 2800639 | 1 | Skumdyse 50120 | [1] |
| 6 | 6400633 | 1 | Hulskive F. Skumudstyr | |
| 7 | 6400629 | 1 | FOAM PIPE SHORT | [1] |
| 7 | 6400630 | 1 | FOAM PIPE LONG | [2] |
| 10 | 1118009 | 1 | Rep. sæt til spulerør | |
| 11 | 101814698 | 12 | Skruer | |
| 14 | 1119327 | 1 | Rep. sæt til dysebeskytter | |
| 15 | 1119407 | 1 | Rep.Sæt, Luftinjektordyse | |
| 16 | 1800150 | 1 | Sætskrue M8 x 30 | |
| 17 | 4000014 | 1 | Tværgreb | |

Part Notes:

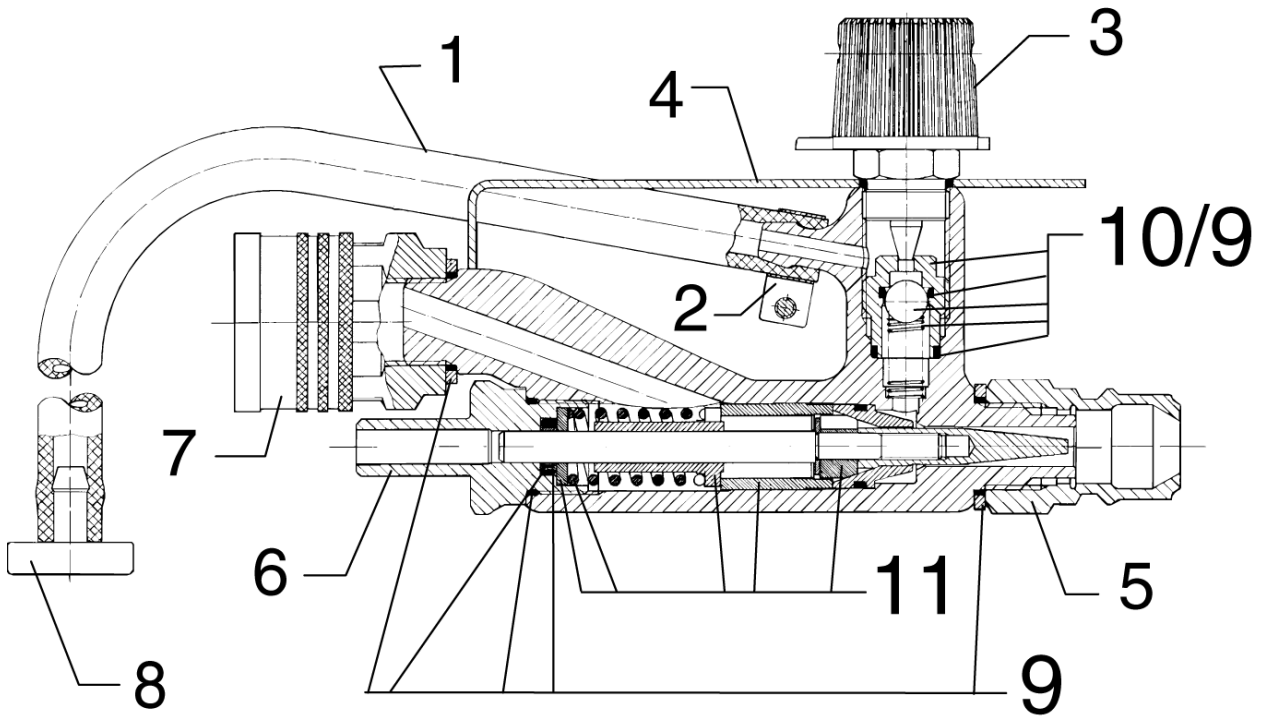
- [1] - Short
- [2] - Long
- [3] - Without nipple



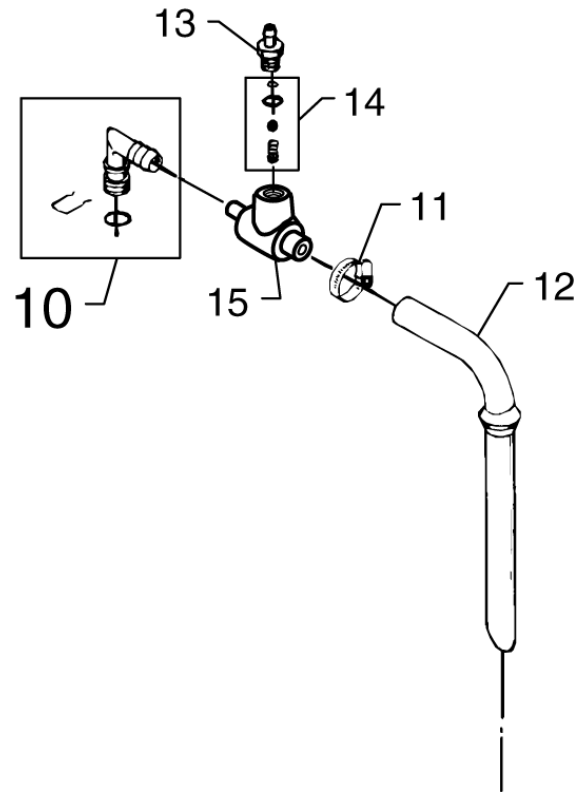
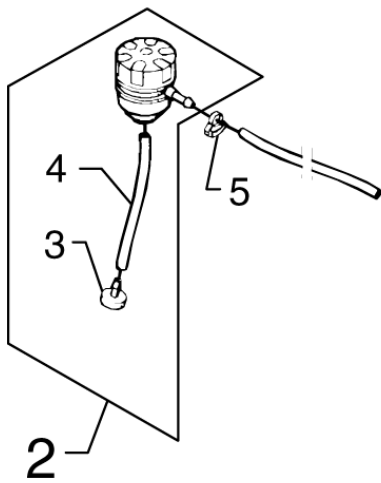
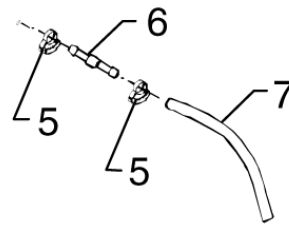
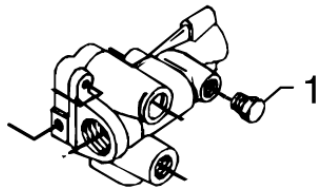
| Pos. | Vare-nr | Antal | Beskrivelse | Notes |
|------|-----------|-------|-------------------------------------|-------|
| 0- | 6401246 | 1 | Ekstern injektor 02 lavtryk | [1] |
| 0- | 106402248 | 1 | Ekstern injektor 02 lavtryk | [2] |
| 1 | 106408243 | 1 | HOSE 1/4INCH TRANSPARENT - 5 METERS | |
| 2 | 1810084 | 1 | Spændebånd Ø10,8/12,3 | |
| 3 | 6101778 | 1 | Doserspindel | |
| 4 | 6150692 | 1 | DIAL PLATE | |
| 5 | 1600493 | 1 | Ergo højtryksskobling DN10 3/8" han | |
| 6 | 6150675 | 1 | Studs | |
| 7 | 106402075 | 1 | Ergo højtryksskobling DN10 3/8" hun | |
| 8 | 6400240 | 1 | Filter | |
| 9 | 1119322 | 1 | Rep.Kit F. Skuminj. 02-03 | |
| 10 | 1119019 | 1 | Rep. sæt 02 kemiinjektor | [1] |
| 10 | 101117644 | 1 | Rep.Sæt For Injektor | [2] |
| 11 | 1801075 | 2 | Tætningsskive 3/8" | |
| 12 | 101117643 | 1 | NOZZLE WITH O-RING | [2] |
| 12 | 1119814 | 1 | Rep-Sæt Dyse M O-Ring (Kemiinj) | [1] |

Part Notes:

- [1] - 02
 [2] - POSEIDON 8, SOLAR 8



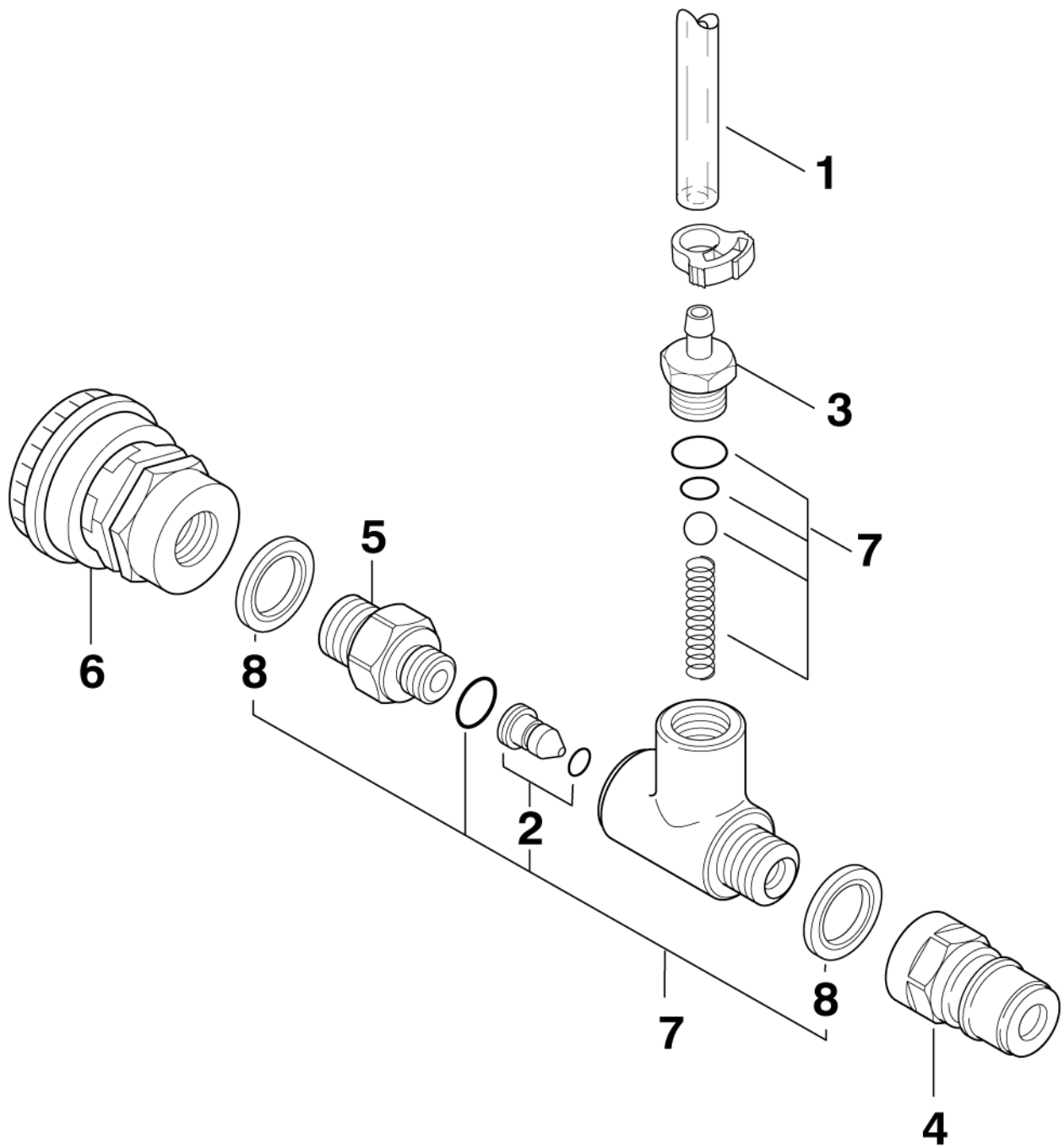
| Pos. | Vare-nr | Antal | Beskrivelse | Notes |
|------|-----------|-------|-------------------------------------|-------|
| 0- | 6401247 | 1 | Ekstern injektor 03 lavtryk | |
| 1 | 106408243 | 1 | HOSE 1/4INCH TRANSPARENT - 5 METERS | |
| 2 | 1810084 | 1 | Spændebånd Ø10,8/12,3 | |
| 3 | 6101778 | 1 | Doserspindel | |
| 4 | 6101037 | 1 | DIAL F. INJECTOR | |
| 5 | 1600493 | 1 | Ergo højtrykskobling DN10 3/8" han | |
| 6 | 6101047 | 1 | Bundskrue F. Injektor | |
| 7 | 106402075 | 1 | Ergo højtrykskobling DN10 3/8" hun | |
| 8 | 6400240 | 1 | Filter | |
| 9 | 1119014 | 1 | Rep. sæt 03 kemiinjektor | |
| 10 | 1119322 | 1 | Rep.Kit F. Skuminj. 02-03 | |
| 11 | 1119323 | 1 | Rep.Sæt F. Dyse Injektor | |



| Pos. | Vare-nr | Antal | Beskrivelse | Notes |
|------|-----------|-------|-------------------------------------|-------|
| 0- | 6401250 | 1 | CHEMICAL INJECTOR F. HIGH PRES | [1] |
| 0- | 6401241 | 1 | CHEMICAL INJECTOR F. HIG PRES. | [2] |
| 1 | 6105533 | 1 | Prop | [3] |
| 2 | 6180410 | 1 | Doseringsenhed komplet | [4] |
| 3 | 6400240 | 1 | Filter | |
| 4 | 106408243 | 1 | HOSE 1/4INCH TRANSPARENT - 5 METERS | |
| 5 | 1810084 | 3 | Spændebånd Ø10,8/12,3 | |
| 6 | 1609293 | 1 | HOSE TAIL | [5] |
| 7 | 106408243 | 1 | HOSE 1/4INCH TRANSPARENT - 5 METERS | |
| 10 | 1119210 | 1 | Rep. sæt tilgangsvinkel | |
| 11 | 1805100 | 1 | Spændebånd 8-20 Mm | |
| 12 | 6184588 | 1 | Sugerør F. Svømmehus | [4] |
| 13 | 3400512 | 1 | Slangestuds | [4] |
| 14 | 1119694 | 1 | Rep.Sæt F. Kemiinjektor | [3] |
| 15 | 6184650 | 1 | HOUSING F. INJECTOR 0.8-1.8KW | [6] |
| 15 | 6184677 | 1 | INJECTOR HOUSING EXTERNAL | [7] |

Part Notes:

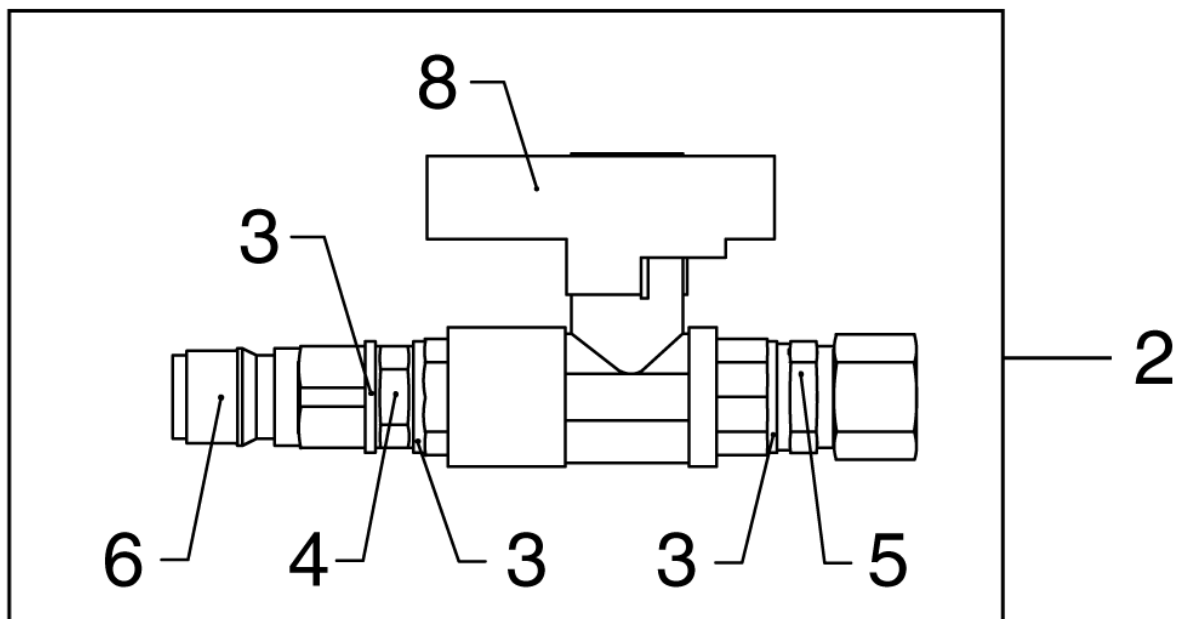
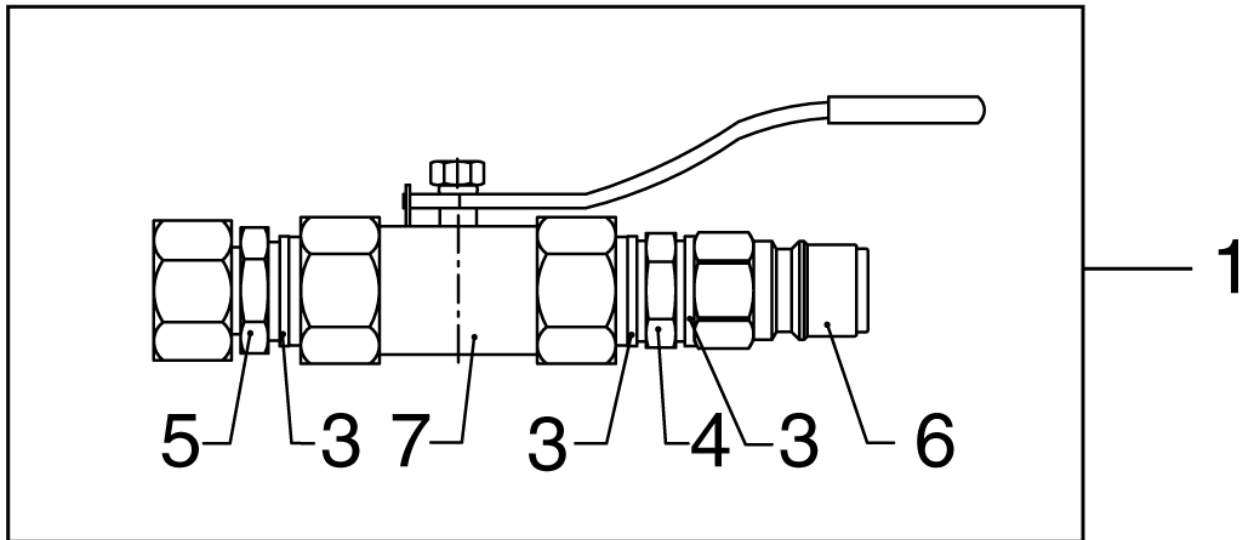
- [1] - 08 & 16 & 1840H/HA
ACC. OUTPHASED 2004
- [2] - 30 & 3840H/HA
ACCESSORY 40HA OUTPH.2001
- [3] - CLOSED WHEN STOCK EMPTY
- [4] - GUARANTEE DATE EXPIRED
- [5] - FOR OPTION OUTPH. 1999
- [6] - 08 & 16 & 1840H/HA
- [7] - 30 & 3840H/HA
40HA OUTPHASED 2004



| Pos. | Vare-nr | Antal | Beskrivelse | Notes |
|------|-----------|-------|---|-------|
| | | | IS 6409096 - injector with fixed dosing | [1] |
| 0- | 6401092 | 1 | Ekstern injektor med fast dosering | [2] |
| 1 | 106408243 | 1 | HOSE 1/4INCH TRANSPARENT - 5 METERS | |
| 2 | 1119814 | 1 | Rep-Sæt Dyse M O-Ring (Kemiinj) | |
| 3 | 6401748 | 1 | LOCK NUT W/REGULAR DOSAGE FOR CHEMICAL | [3] |
| 4 | 1600493 | 1 | Ergo højtrykskobling DN10 3/8" han | |
| 5 | 6150675 | 1 | Studs | |
| 6 | 106402075 | 1 | Ergo højtrykskobling DN10 3/8" hun | |
| 7 | 1119332 | 1 | Rep.Sæt Injektor M.F.Dos | |
| 8 | 1801075 | 2 | Tætningskive 3/8" | |

Part Notes:

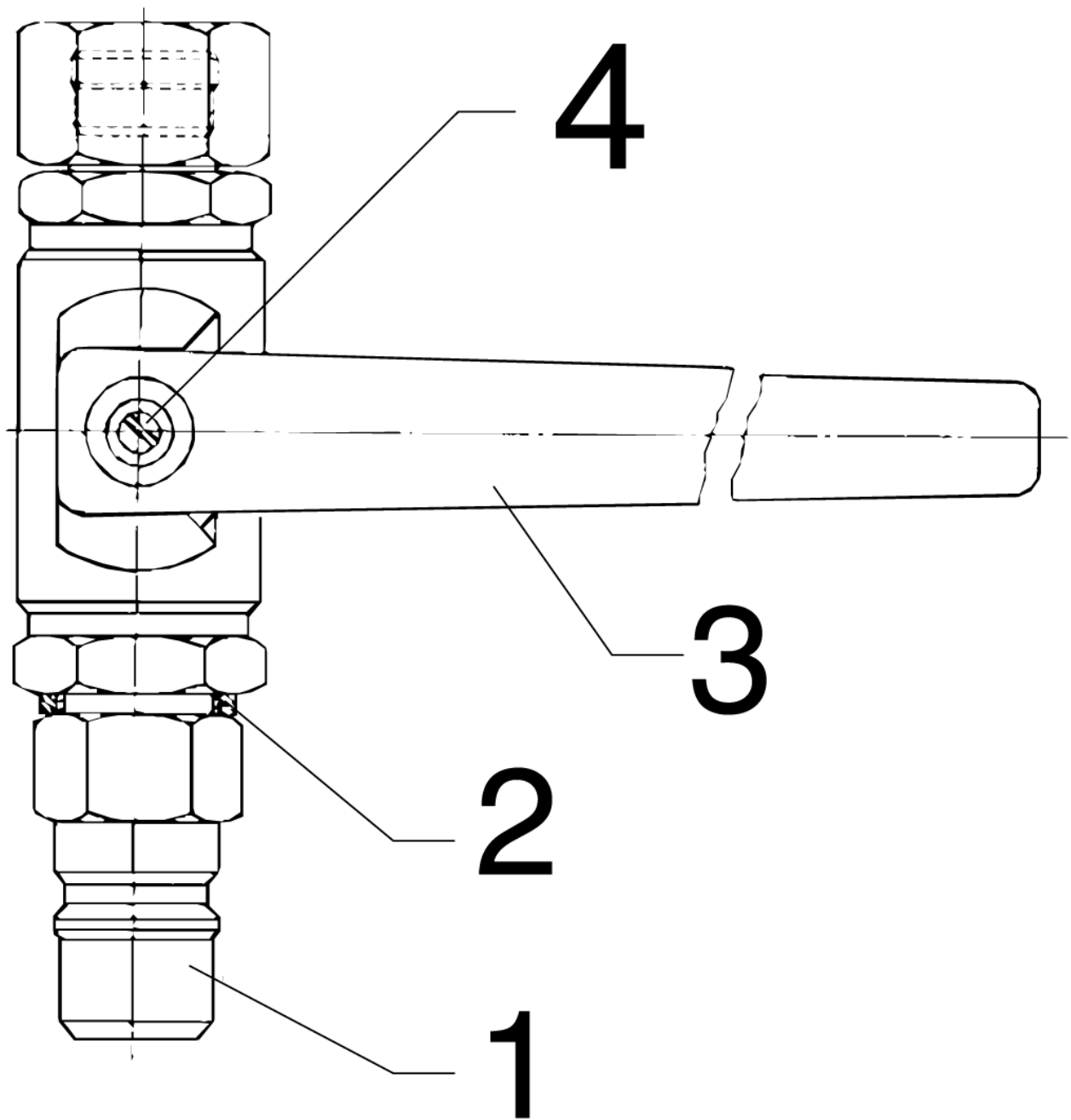
- [1] - IS 6409096 - injector with fixed dosing
- [2] - PRUNING-NO REPLACEMENT
- [3] - STOCK COVERS GUARANTEE



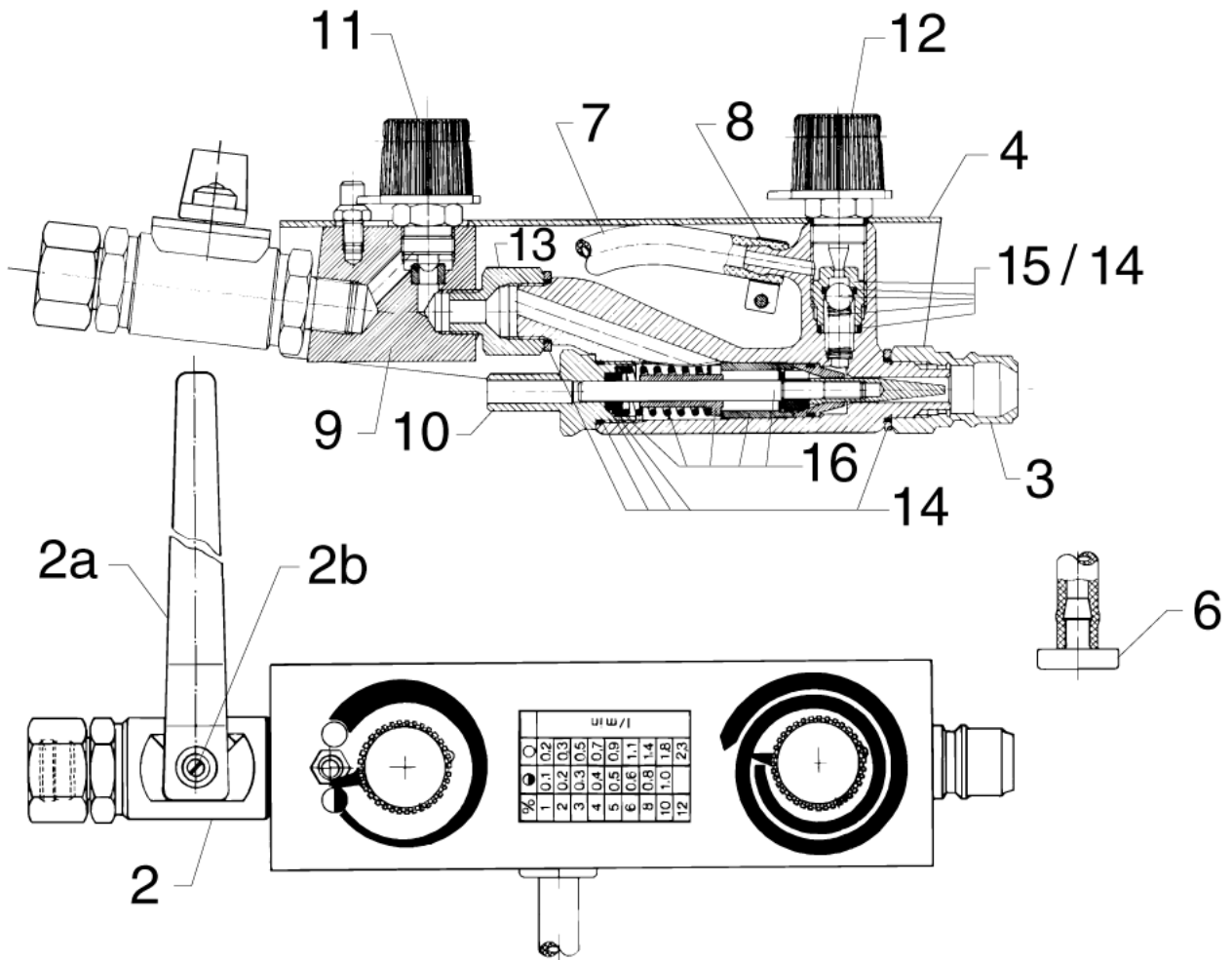
| Pos. | Vare-nr | Antal | Beskrivelse | Notes |
|------|---------|-------|-------------------------------------|-------|
| 2 | 6402024 | 1 | Højtrykshane komplet | |
| 2 | 6402071 | 1 | Frosthane, Kompl. | [1] |
| 2 | 6402023 | 1 | Højtryksventil syrefast Ø15 3/8" | [2] |
| 3 | 1807908 | 3 | "Tætningsskive Rf. 3/8"" " | [3] |
| 3 | 1801075 | 3 | Tætningsskive 3/8" | |
| 4 | 1609312 | 1 | "Nipple 3/8""Rgx3/8""Rg Ss " | [3] |
| 4 | 1605120 | 1 | Brystnippel 3/8 x 3/8" | |
| 5 | 1609315 | 1 | Ligeforskruning Ø15X3/8 R G Rf | [3] |
| 5 | 1609317 | 1 | Threaded Connection | |
| 6 | 1603101 | 1 | Ergo højtryksskobling DN10 RF han | [3] |
| 6 | 1600493 | 1 | Ergo højtryksskobling DN10 3/8" han | |
| 7 | 3403262 | 1 | BALL VALVE. ACID-PROOF 3/8 INCH | [4] |
| 8 | 3403264 | 1 | Kugleventil, Galv. | [5] |

Part Notes:

- [1] - Frost valve complete
NO DIRECT REPLACEMENT
- [2] - Stainless stell
- [3] - Stainless steel
- [4] - A - stainless steel
- [5] - B



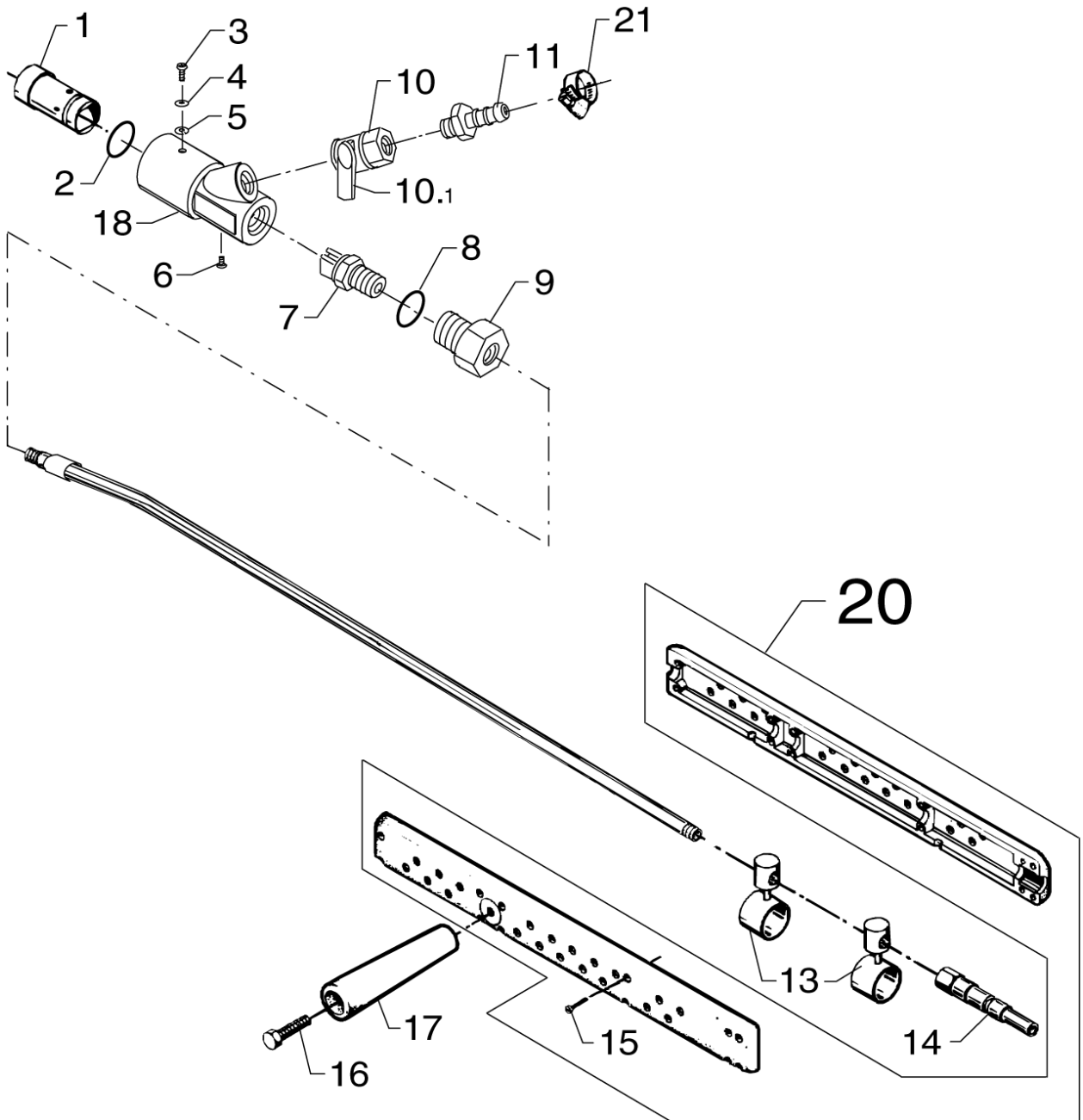
| Pos. | Vare-nr | Antal | Beskrivelse | Notes |
|------|---------|-------|-------------------------------------|-------|
| 0- | 1119323 | 1 | Rep.Sæt F. Dyse Injektor | |
| 1 | 1603101 | 1 | Ergo højtryksskobling DN10 RF han | |
| 1 | 1600493 | 1 | Ergo højtryksskobling DN10 3/8" han | |
| 2 | 1801075 | 1 | Tætningsskive 3/8" | |
| 3 | 6300411 | 1 | Håndtag | |
| 4 | 1119324 | 1 | Rep.Sæt Skrue + Skive | |



| Pos. | Vare-nr | Antal | Beskrivelse | Notes |
|------|-----------|-------|-------------------------------------|-------|
| 0- | 6300550 | 1 | OPERATING POINT W. INJECTOR | [1] |
| 0- | 6300551 | 1 | TAP WITH INJECTOR | [2] |
| 2 | 3401593 | 1 | HIGH PRESSURE BALL VALVE | |
| 2A | 6300411 | 1 | Håndtag | |
| 2B | 1119324 | 1 | Rep.Sæt Skrue + Skive | |
| 3 | 1603101 | 1 | Ergo højtryksskobling DN10 RF han | [3] |
| 3 | 1600493 | 1 | Ergo højtryksskobling DN10 3/8" han | |
| 4 | 6300718 | 1 | SCALE | |
| 6 | 6400240 | 1 | Filter | |
| 7 | 106408243 | 1 | HOSE 1/4INCH TRANSPARENT - 5 METERS | |
| 8 | 1810084 | 1 | Spændebånd Ø10,8/12,3 | |
| 9 | 6300651 | 1 | | |
| 10 | 6101047 | 1 | Bundskrue F. Injektor | |
| 11 | 6300650 | 1 | Doserventil | [4] |
| 12 | 6101778 | 1 | Doserspindel | |
| 13 | 6300715 | 1 | NIPPLE | |
| 14 | 1119014 | 1 | Rep. sæt 03 kemiinjektor | |
| 15 | 1119322 | 1 | Rep.Kit F. Skuminj. 02-03 | |
| 16 | 1119323 | 1 | Rep.Sæt F. Dyse Injektor | |

Part Notes:

- [1] - ACC. OUTPHASED 2004
- [2] - Acc. outphased 2001
- [3] - STAINLESS STEEL
- [4] - FOR ACCESSORY OUTPH. 2004



| Pos. | Vare-nr | Antal | Beskrivelse | Notes |
|------|-----------|-------|--------------------------------------|-------|
| 0- | 6401233 | 1 | Lanse til softblasting 91 cm 05 dyse | [1] |
| 1 | 7101075 | 1 | PRE-NOZZLE F. SOFT BLASTING | |
| 2 | 7101076 | 1 | O-RING F. SOFT BLASTING | |
| 3 | 1800606 | 1 | Maskinskrue M4X10 | |
| 4 | 1800887 | 1 | WASHER M4 | [2] |
| 5 | 1802982 | 1 | SPRING WASHER M4 | |
| 6 | 1800861 | 1 | Maskinskrue M4X8 | |
| 7 | 2800035 | 1 | Standard-dyse 15° 1/4" 06 | |
| 7 | 2800340 | 1 | Dyse 1505 | |
| 8 | 3002045 | 1 | O-Ring | |
| 9 | 7101079 | 1 | PLUG FOR SOFT BLASTING | [3] |
| 10 | 7101078 | 1 | SHUT-OFF VALVE FOR SOFT BL | [3] |
| 10A | 7101080 | 1 | HANDLE FOR SHUT-OFF VALVE | [3] |
| 11 | 7101077 | 1 | HOSE TAIL FOR SOFT BLASTIN | [3] |
| 13 | 6400355 | 2 | SUSPENSION F. HOSE | |
| 14 | 1609325 | 1 | KEW stiknippel 1/4" | |
| 15 | 101814698 | 12 | Skruer | |
| 16 | 1800150 | 1 | Sætskrue M8 x 30 | |
| 17 | 4000014 | 1 | Tværgreb | |
| 18 | 6401881 | 1 | HOUSING W/O NOZZLE SOFT BLAST | [3] |
| 20 | 1118009 | 1 | Rep. sæt til spulerør | |
| 21 | 8298 | 1 | Spændebånd | |

Part Notes:

- [1] - Nozzle 05
- [2] - GUARANTEE DATE EXPIRED
- [3] - NO LONGER AVAILABLE



| Pos. | Vare-nr | Antal | Beskrivelse | Notes |
|------|-----------|-------|---------------------------------|-------|
| | | | Ad 106411979 Appendix BA valve | [1] |
| | | | OM 106411989 Backflow preventer | [2] |
| 1 | 106411184 | 1 | BA-ventil u. koblinger | |
| | 106411177 | 1 | BA-ventil m. Gardena koblinger | |
| | 106411178 | 1 | BA-ventil m. NITO koblinger | |
| | 106411179 | 1 | BA-ventil m. GEKA koblinger | |

Part Notes:

- [1] - Ad 106411979 Appendix_BAvalve
- [2] - OM 106411989 Backflow preventer

