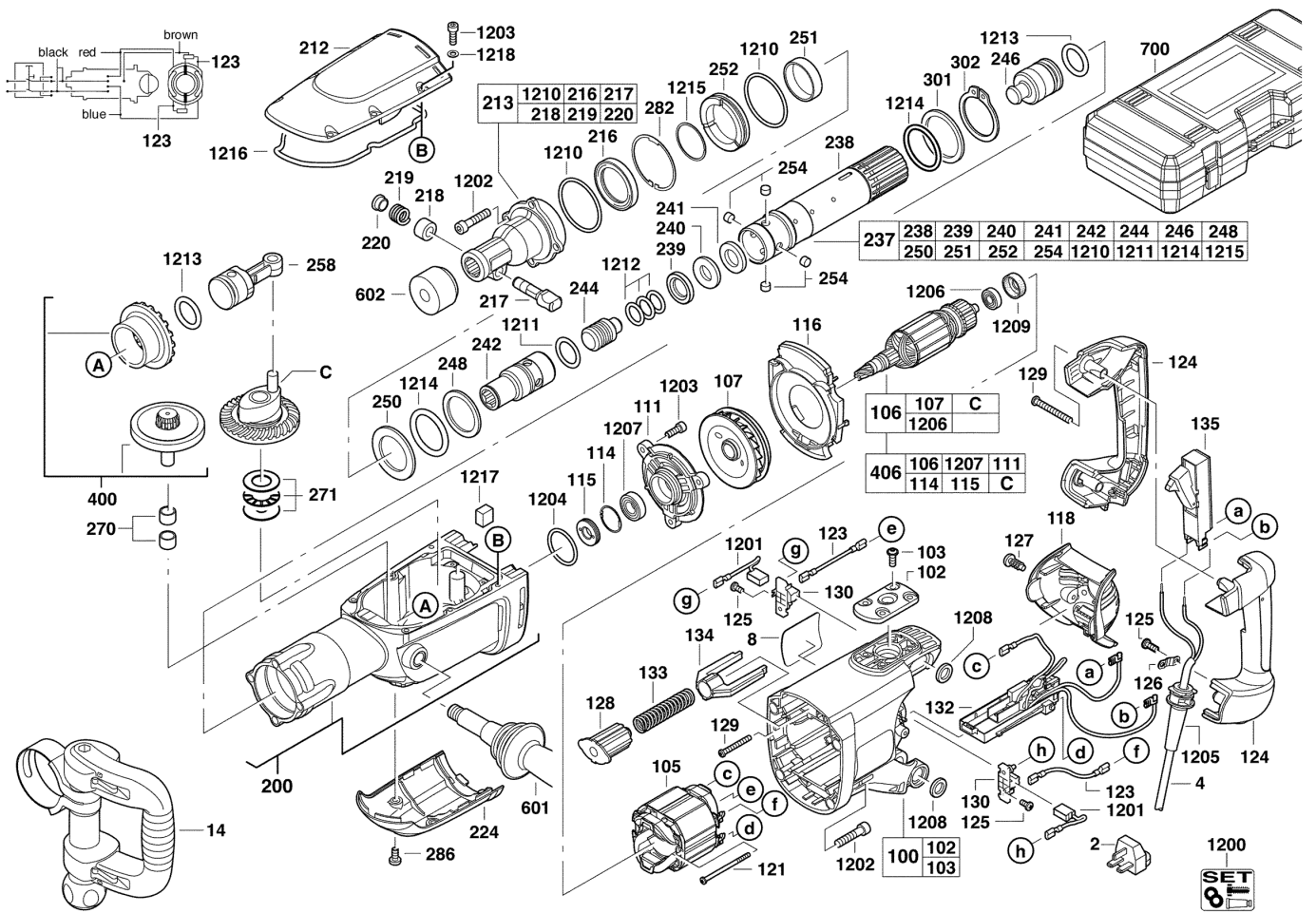


K950K K-HEX COMBI HAMMER I

4933405358 - K950K - 4000405359





| Position | Quantity | Description | Part number | EAN |
|----------|----------|--|-------------|---------------|
| 0004 | 1 | CONNECTION CABLE | 4931624696 | 4002395800872 |
| 0008 | 1 | RATING PLATE | 5131000000 | |
| 0014 | 1 | HANDLE | 4931398534 | 4002395776658 |
| 0100 | 1 | MOTOR HOUSING | 4931375740 | 4002395735723 |
| 0102 | 1 | SECURED WASHER | 4931375531 | 4002395711574 |
| 0103 | 4 | SCREW | 4931624213 | 4002395736096 |
| 0105 | 1 | ELECTRIC FIELD | 4931442746 | 4002395885244 |
| 0106 | 1 | ARMATURE | 4931432415 | 4002395899418 |
| 0107 | 1 | FAN | 4931375474 | 4002395711536 |
| 0111 | 1 | BEARING END PLATE | 4931426434 | 4002395842483 |
| 0114 | 1 | LOCKING RING | 4931890311 | 4002395706297 |
| 0115 | 1 | SEAL RING | 4931375489 | 4002395711543 |
| 0116 | 1 | AIR DEFLECTOR RING | 4931375515 | 4002395731756 |
| 0118 | 1 | SERVICING LID | 4931375535 | 4002395731787 |
| 0121 | 2 | SCREW | 4931339996 | 4002395623976 |
| 0123 | 2 | WIRE | 4931624263 | 4002395724819 |
| 0124 | 1 | PAIR HANDLE SHELLS | 4931375560 | 4002395731817 |
| 0125 | 4 | SCREW | 4931624538 | 4002395760039 |
| 0126 | 1 | CABLE COLLAR | 4931256500 | 4002395586547 |
| 0127 | 2 | SCREW | 4931624537 | 4002395760022 |
| 0128 | 1 | THRUST PIECE | 4931375477 | 4002395731701 |
| 0129 | 5 | SCREW N874101-1 SHR C-K5X45/20 KOMBITORX | 4931622765 | 4002395699094 |
| 0130 | 2 | BRUSH HOLDER | 4931381694 | 4002395780303 |
| 0132 | 1 | ELECTRONIC | 4931409105 | 4002395791590 |
| 0133 | 1 | PRESSURE SPRING | 4931375529 | 4002395711550 |
| 0134 | 1 | TRANSITION PIECE | 4931375530 | 4002395711567 |
| 0135 | 1 | SWITCH | 4931375458 | 4002395711529 |
| 0200 | 1 | GEAR BOX | 4931412446 | 4002395799008 |
| 0212 | 1 | GEAR BOX COVER | 4931426452 | 4002395847990 |
| 0213 | 1 | TOOL ACCEPTANCE | 4931375510 | 4002395731367 |
| 0216 | 1 | SEAL RING | 4931624205 | 4002395714285 |
| 0217 | 1 | LATCH BAR | 4931384430 | 4002395719587 |
| 0218 | 1 | SLEEVE | 4931409823 | 4002395839551 |
| 0219 | 1 | SPRING | 9170032330 | 4002395563135 |
| 0220 | 1 | LATCH BAR | 4931409822 | 4002395839544 |
| 0224 | 1 | GEAR COVER | 4931375443 | 4002395711611 |
| 0237 | 1 | SPINDLE | 4931375803 | 4002395744244 |
| 0238 | 1 | SPINDLE SLEEVE | 4931426172 | 4002395903276 |
| 0239 | 1 | BACK-PRESSURE RING | 4931375411 | 4002395731565 |
| 0240 | 1 | BACK-PRESSURE RING | 4931375412 | 4002395731572 |
| 0241 | 1 | ATTACHMENT RING | 4931409791 | 4002395841486 |
| 0242 | 1 | DRIVER | 4931417531 | 4002395833504 |
| 0244 | 1 | SNAP DIE | 4931375448 | 4002395731664 |
| 0246 | 1 | PERCUSSION BODY | 4931375782 | 4002395741298 |
| 0248 | 1 | ATTACHMENT RING | 4931375416 | 4002395731596 |
| 0250 | 1 | WASHER | 4931375418 | 4002395736003 |
| 0251 | 1 | BALL RACE | 4931375419 | 4002395731602 |
| 0252 | 1 | THRUST COLLAR | 4931375420 | 4002395731619 |
| 0254 | 4 | DRIVER | 4931375787 | 4002395741977 |
| 0258 | 1 | PISTON COMPL. | 4931375380 | 4002395731534 |

| Position | Quantité | Désignation | Référence | EAN |
|----------|----------|---------------------------|------------|---------------|
| 0270 | 2 | NEEDLE BEARING | 4931621847 | 4002395696192 |
| 0271 | 1 | THRUST BEARING | 4931409549 | 4002395815418 |
| 0282 | 1 | RETAINING RING | 4931624235 | 4002395717460 |
| 0286 | 2 | SCREW | 4931624658 | 4002395790975 |
| 0400 | 1 | REPAIR KIT | 4931432420 | 4002395899449 |
| 0406 | 1 | REPAIR KIT | 4931432415 | 4002395899418 |
| 0601 | 1 | HANDLE | 4931375516 | 4002395736027 |
| 0602 | 1 | DUST GUARD CAP | 9170086960 | 4002395565504 |
| 0700 | 1 | CARRYING CASE | 4931400760 | 4002395765256 |
| 1200 | 1 | MAINTENANCE SET | 4931375659 | 4002395733927 |
| 1201 | 1 | CARBON BRUSH SET | 4931375556 | 4002395720323 |
| 1202 | 8 | SCREW | 4931624234 | 4002395717453 |
| 1203 | 9 | SCREW D 912 M5X16 8.8SSI | 4931624276 | 4002395727858 |
| 1204 | 1 | SEAL RING | 4931624237 | 4002395717484 |
| 1205 | 1 | PROTECTING COVER | 4931392174 | 4002395772872 |
| 1206 | 1 | BALL BEARING | 4931341741 | 4002395627004 |
| 1207 | 1 | GROOVED BALL BEAR. | 4931398189 | 4002395767304 |
| 1208 | 4 | SEAL RING | 4931624170 | 4002395710904 |
| 1209 | 1 | RUBBER SLEEVE | 4931317212 | 4002395599806 |
| 1210 | 2 | SEAL RING N874701 28X5 | 4931624156 | 4002395731879 |
| 1211 | 1 | SEAL RING N874701 28X5 | 4931624161 | 4002395731909 |
| 1212 | 3 | SEAL RING N874701 28X5 | 4931624155 | 4002395731862 |
| 1213 | 2 | SEAL RING N874701 28X5 | 4931624158 | 4002395731893 |
| 1214 | 2 | SEAL RING N874701 28X5 | 4931624157 | 4002395731886 |
| 1215 | 1 | SPRING RING N874268 SW 20 | 4931624153 | 4002395731855 |
| 1216 | 1 | GASKET | 4931375506 | 4002395731725 |
| 1217 | 1 | FELT | 4931375508 | 4002395731732 |
| 1218 | 6 | SEALING WASHER | 4931603515 | 4002395693481 |