

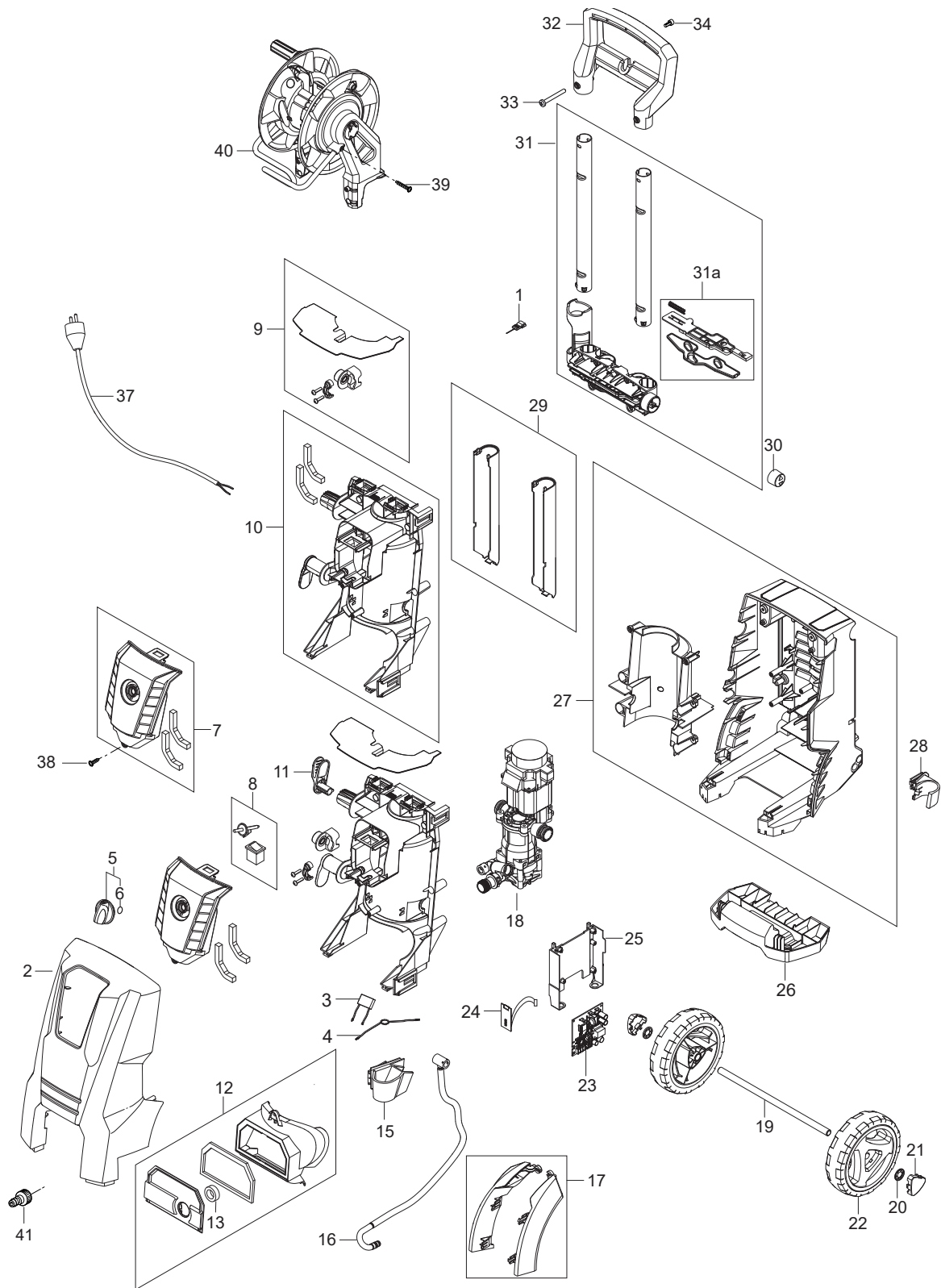
PARTS LIST



2017.10.06

TABLE OF CONTENTS

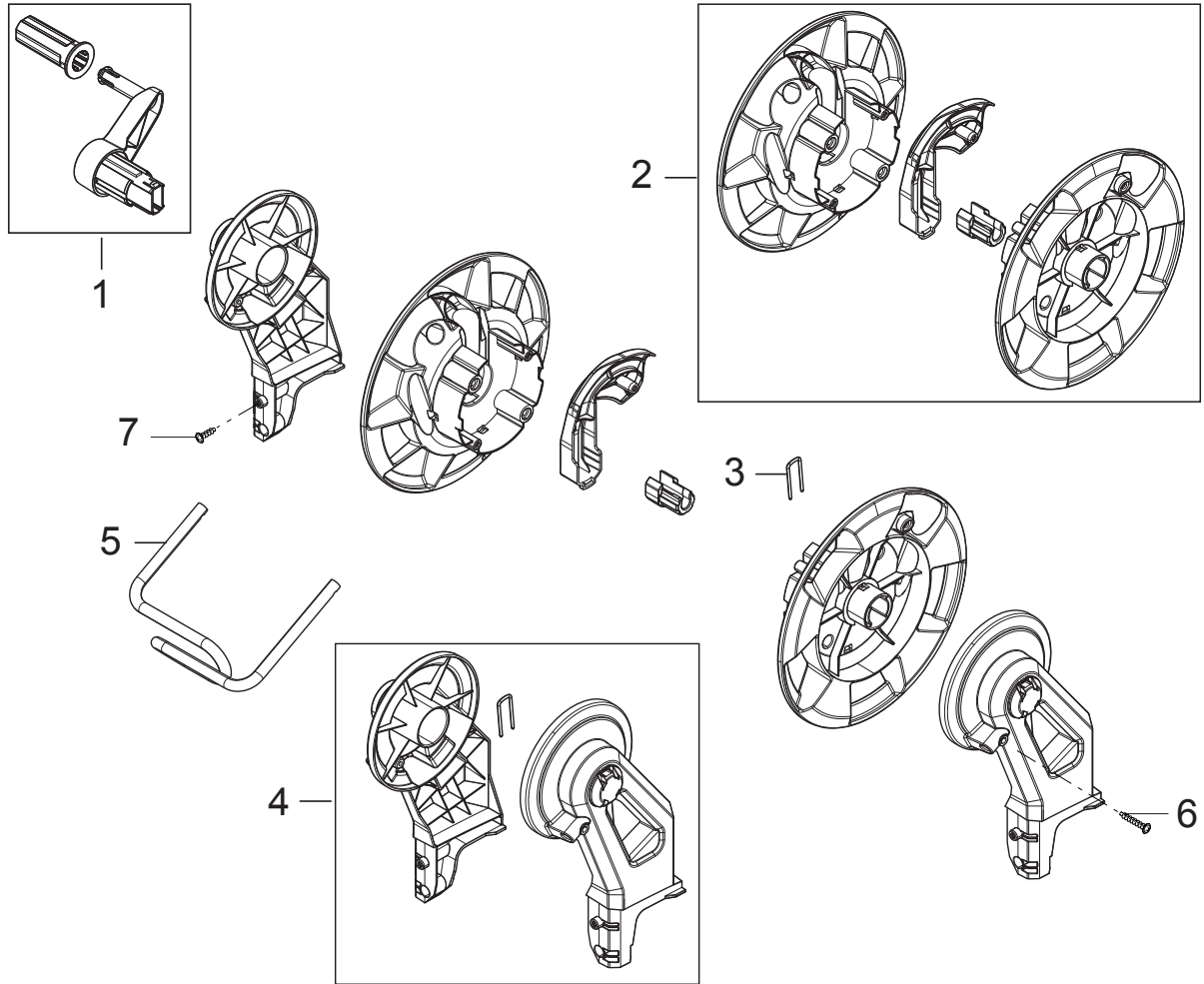
Overview	1
Hose reel	3
Motor pump X-tra	5
Accessories Power Grip, hose and nozzles	7



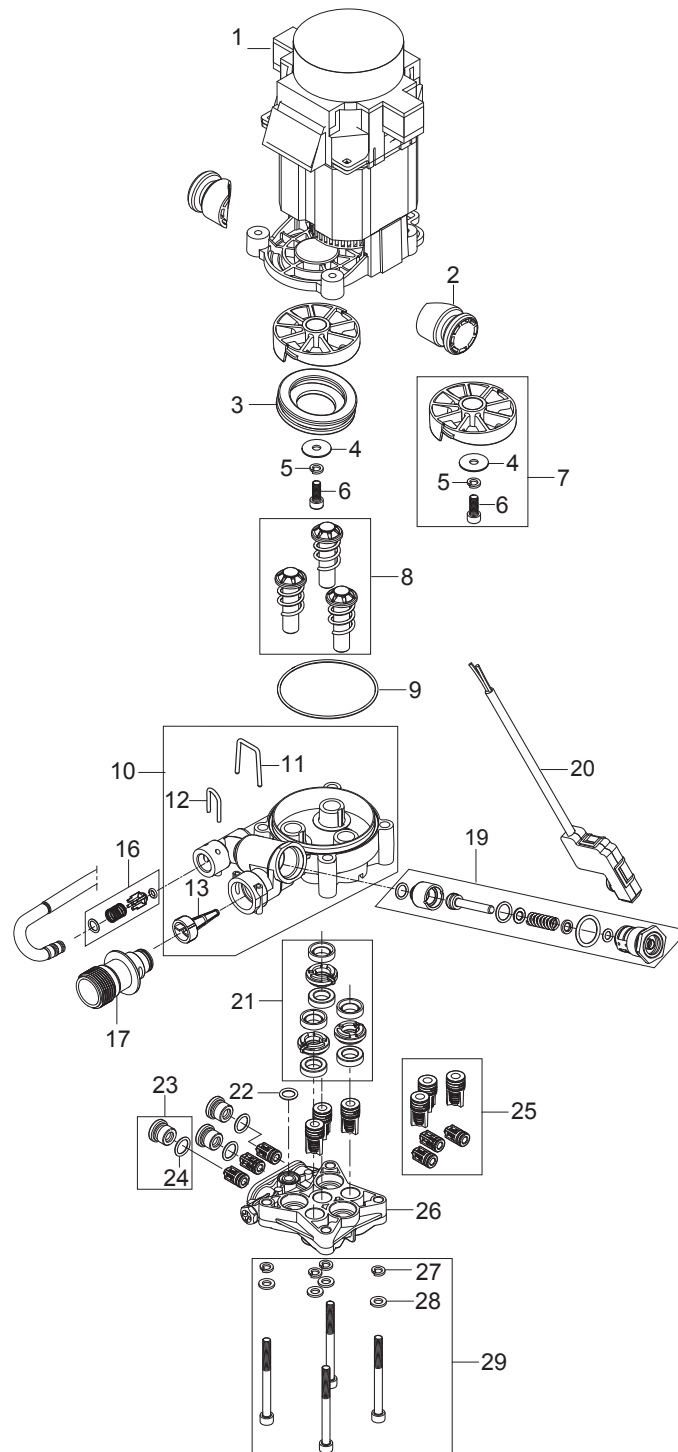
Pos.	Vare-nr	Antal	Beskrivelse	Notes
1	6520844	1	Rensenål sort	
2	128500813	1	FRONT CABINET W.PRINT D140.4	
2	128500814	1	FRONT CABINET W.PRINT D130.4	
2	128500819	1	FRONT CABINET D-PG 140.4	
2	128500818	1	FRONT CABINET D-PG 130.4	
3	128500492	1	CAPACITOR UNIVERSAL MPX	
4	128500493	1	EMC COIL UNIVERSAL	
5	128500547	1	Drejeknap blå	
6	9868	1	O-ring 10.0X2.5	
7	128500928	1	SWITCH BOX	[1]
8	128500507	1	SWITCH ON/OFF med skaft	
9	128500815	1	CABLE RELIFE KIT	
10	128500929	1	FRONT STRUCTURAL WITH GASKET	[1]
11	128500549	1	ROTARY CABLE HOOK BLUE	
12	128500817	1	IN/OUTLET COVER KIT BLACK XTRA	
13	128500578	1	INLET GASKET	
15	128500512	1	LANCE HOLDER	
16	128500513	1	Intern slange Xtra	
17	128500514	1	WHEEL MUDGUARD	
18		1	Motor pump unit	[2]
19	128500517	1	WHEEL AXLE	
20	127440210	1	Låsering	
21	128500552	1	Hjul kapsel	
22	128500553	1	Hjul	
23	128500934	1	PCBA D-PG MOTOR CONTROL	
24	128500810	1	Pcba rf modul	
25	128500820	1	BRACKET FOR PCBA DYNAMIC	
26	128500519	1	FRONT FOOT LOW	
27	128500821	1	MPU BACK COVER AND CHASSIS	
28	128500523	1	LANCE HOLDER TOP	
29	128500521	1	TUBE GUIDES	
30	128500554	1	HANDLE LOCK BUTTON BLUE	
31	128500931	1	HANDLE TUBE AND ACC STORAGE	
32	128500527	1	Håndtag	
33	128500528	1	NUT FOR HANDLE LOCK	
34	128500529	1	SCREW M4X8 ISO7045 A2-50-H PH	
37	128500822	1	POWER CABLE EU	
37	128500823	1	POWER CABLE UK	
38	107141838	33	SCREW K50X18 WN1451 BLACK TORX20	
39	128500595	2	SCREW K50X35 WN1452 BLACK TORX	
40		1	Hose reel	[3]
41	106404529	1	GARDENA COMPATIBLE MALE 3/4" ACCESSORY	
NS	128500787	1	BOX 10PCS D130.4	
NS	128500788	1	BOX 10PCS D140.4	

Part Notes:

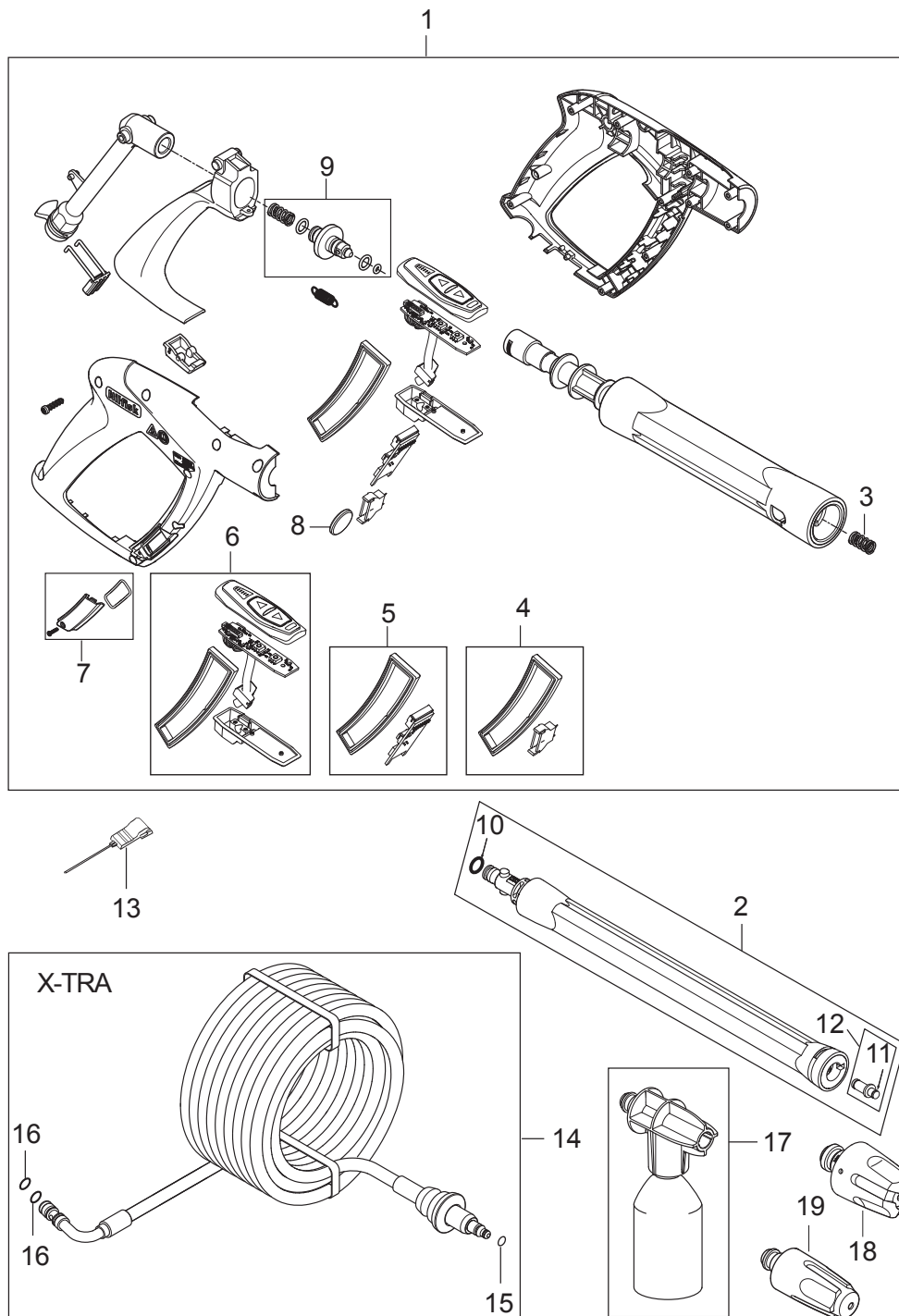
- [1] - If produced before serial number 21136572 (week 50, 2015) then pls. read TSB
TSB-CON-HPW-2016-001-Excellent - Motor cover and Switch box cover update
DE TSB-CON-HPW-2016-001 Excellent Änderung an Motorabdeckung und Schalte...
- [2] - Motor pump X-tra
- [3] - Hose reel



Pos.	Vare-nr	Antal	Beskrivelse	Notes
0	128500531	1	Slangerulle komplet	
1	128500590	1	Håndtag til slangeoprul	
2	128500591	1	Kit til slangeoprul	
3	128500592	1	LOCK KIT	
4	128500593	1	HOSE REEL BRACKET KIT	
5	128500594	1	HOSE GUIDE BRACKET	
6	128500595	2	SCREW K50X35 WN1452 BLACK TORX	
7	107141838	2	SCREW K50X18 WN1451 BLACK TORX20	



Pos.	Vare-nr	Antal	Beskrivelse	Notes
1	128500826	1	U-MOTOR 2.5KW	
2	128500604	2	VIBRATION DAMPER	
3	128500605	1	THRUST BALL BEARING	
4	127130066	1	Spændeskive Ø22XØ6.4X1.5	
5	127500050	1	SPRING WASHER	
6	128500608	1	SCREW M6X16 10.9 FZB ISO4762	
7	128500610	1	WOBBLE DISC KIT 8.0 DEG	
8	128500616	1	PISTON COMPLETE KIT 3PCS	
9	127440078	1	o-ring 72x2	
10	128500827	1	CYLINDER BLOCK	
11	128500675	1	U-PIN INLET	
12	128500620	1	U-PIN OUTLET	
13	128500195	1	Tilgangsfilter	
16	128500624	1	Kontraventil	
17	128500515	1	Tilgangsstuds	
19	128500626	1	Start/stop ventil	
20	128500628	1	Microswitch boks komplet	
21	127440081	1	Thrust Collar Water Kit	
22	128500630	1	O-RING 10.0X2.2 NBR 90	
23	128500851	3	PRESSURE VALVE PLUG KIT	
24	127440085	3	O-Ring 11.7X2.0 Sh90	
25	128500855	1	INLET OUTLET VALVE 6PCS	
26	128500633	1	CYLINDE HEAD R CYLINDER HEAD	
27	127500029	4	WASHER	
28	127500050	4	SPRING WASHER	
29	127500071	1	SCREW M6X70 DIN 912 4PCS	



Pos.	Vare-nr	Antal	Beskrivelse	Notes
1	128500859	1	Spulehåndtag PowerGrip G4	
2	128500676	1	G4 NOZZLE TUBE SHORT	
3	126481126	1	Fjeder	
4	128500832	1	BATTERY HOLDER	
5	128500831	1	RF MODULE	
6	128500830	1	UI MODULE	
7	128500829	1	LID W.BATTERY	
8		1	BATTERY CR20 32	
9	126481133	1	Rep. sæt spulehåndtag	
10	126481125	1	O-ring til forlængerrør	
11	3004312	1	O-ring	
12	126481109	1	Lavtryksdyse med o-ringe	
13	6520844	1	Rensenål sort	
14	128500654	1	Højtryksslange 9 m blød til slangerulle	
15	3001211	1	O-ring 9,6 x 2,4 Nitril	
16	3004304	2	O-ring	
17	128500077	1	Click&Clean skumsprayer med dunk	
18	128500033	1	Click&Clean Powerspeed dyse (turkis)	
19	128500076	1	Click&Clean Tornado dyse	[1]
19	128500854	1	TORNADO CC 4 DOTS DARK BLUE	[2]

Part Notes:

- [1] - Only PG-D130.4
 [2] - Only PG-D140.4

