

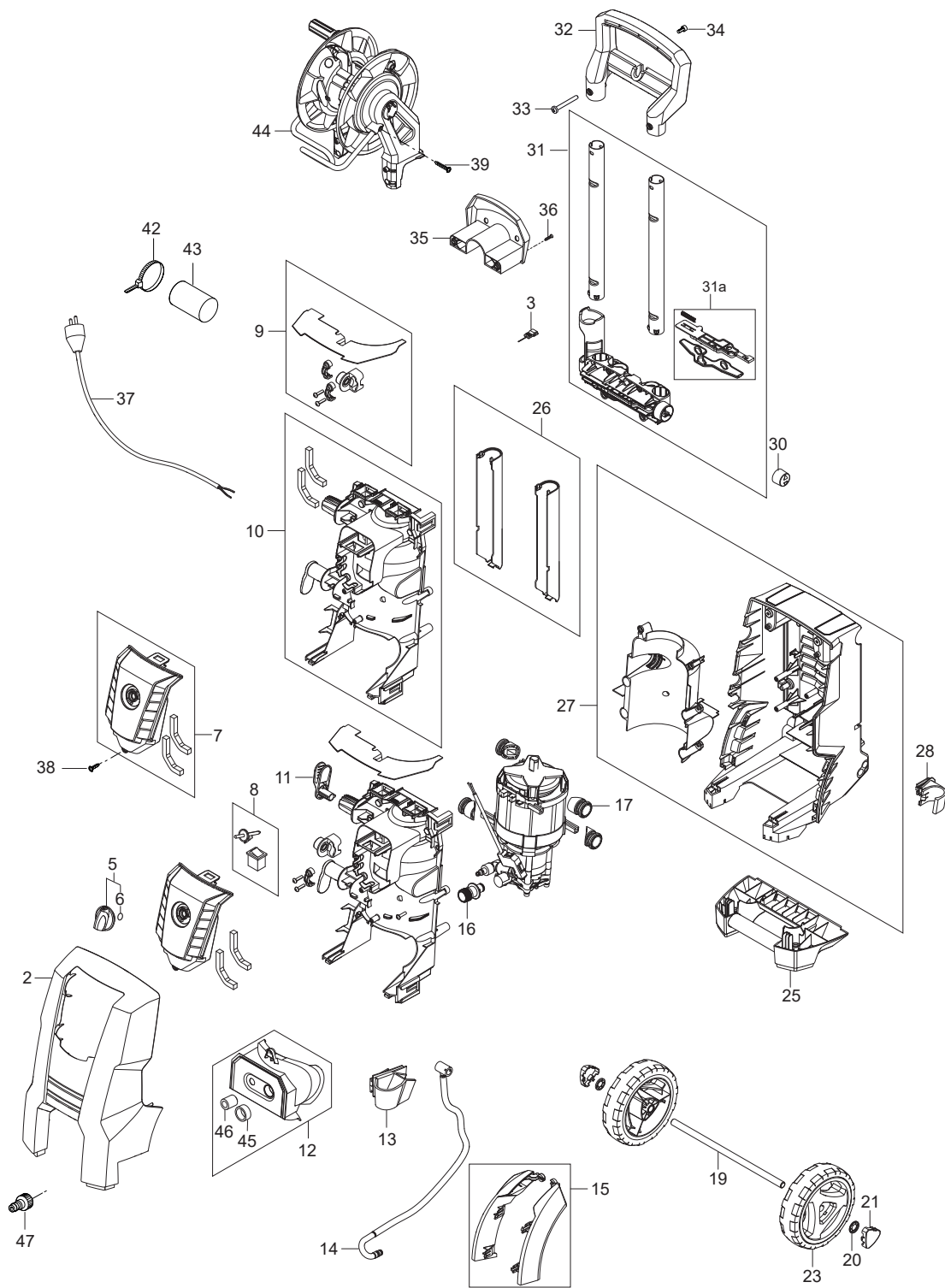
PARTS LIST



2017.05.16

TABLE OF CONTENTS

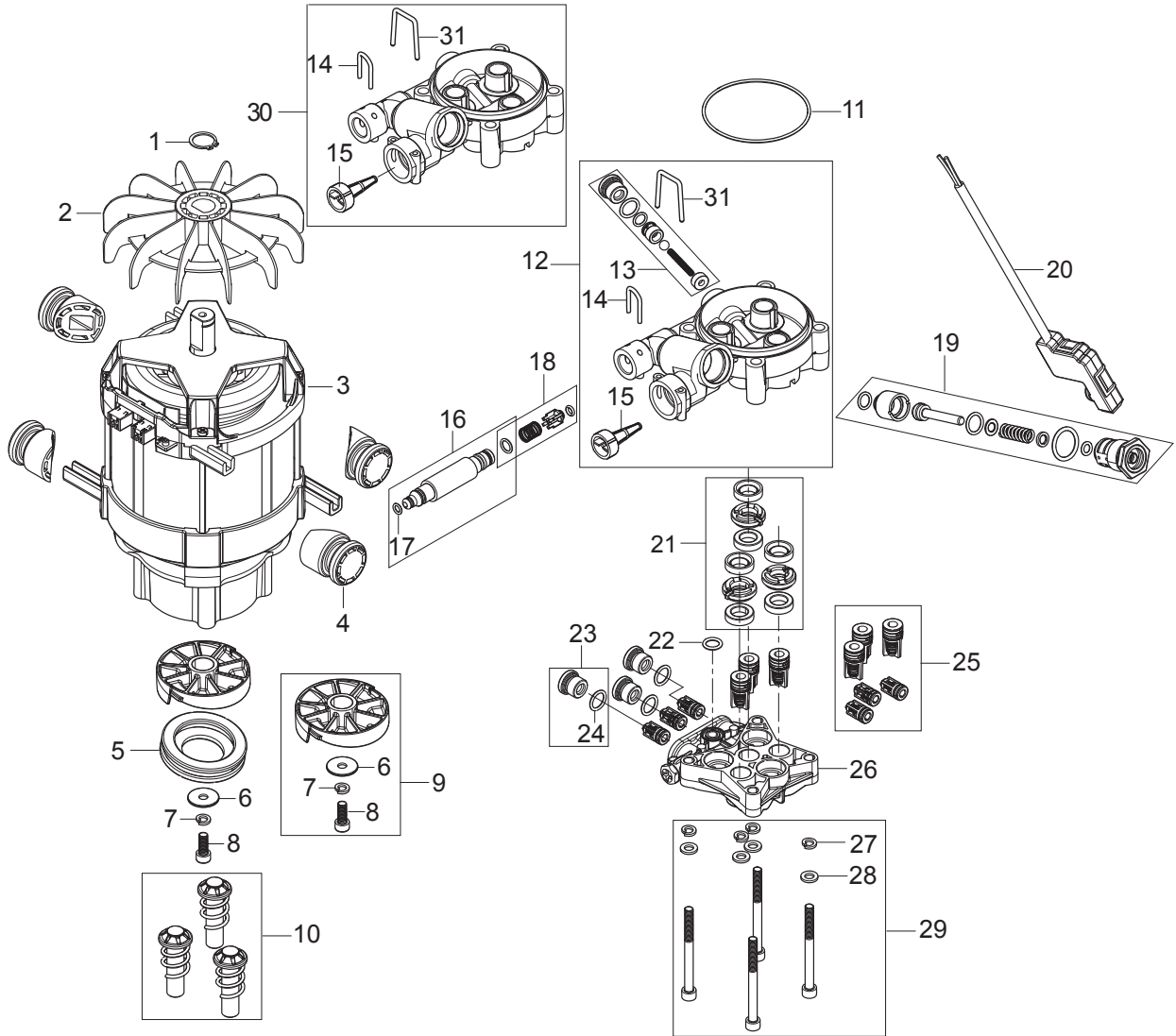
| | |
|---|----|
| Overview | 1 |
| Motor pump | 4 |
| Hose reel | 6 |
| Accessories_E145_3 | 8 |
| 128500461, 6410766 - Drain and tube cleaner | 10 |



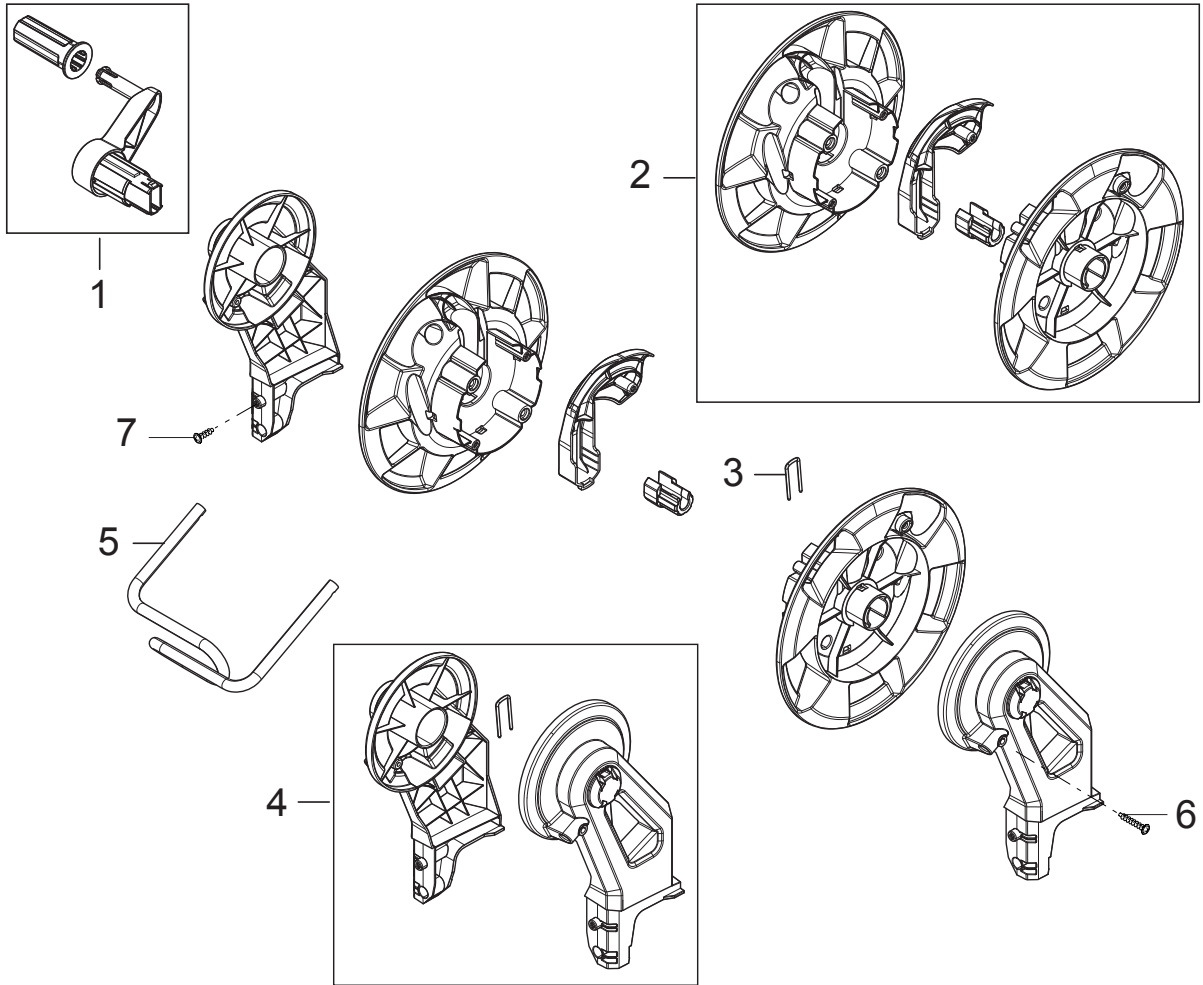
| Pos. | Vare-nr | Antal | Beskrivelse | Notes |
|------|-----------|-------|--|-------|
| 2 | 128500544 | 1 | Kabinet m/print, front, E130.3 | |
| 2 | 128500545 | 1 | Kabinet front E140.3 | |
| 2 | 128500546 | 1 | FRONT CABINET W. PRINT E145.3 | |
| 3 | 6520844 | 1 | Rensenål sort | |
| 5 | 128500547 | 1 | Drejeknap blå | |
| 6 | 9868 | 1 | O-ring 10.0X2.5 | |
| 7 | 128500928 | 1 | SWITCH BOX | [1] |
| 8 | 128500507 | 1 | SWITCH ON/OFF med skaft | |
| 9 | 128500508 | 1 | CABLE RELIEF KIT | |
| 10 | 128500927 | 1 | FRONT STRUCTURAL WITH GASKET | [2] |
| 11 | 128500549 | 1 | ROTARY CABLE HOOK BLUE | |
| 12 | 128500550 | 1 | IN/OUTLET COVER KIT BLACK STD | [3] |
| 12 | 128500551 | 1 | IN/OUTLET COVER KIT BLACK XTRA | [4] |
| 13 | 128500512 | 1 | LANCE HOLDER | |
| 14 | 128500513 | 1 | Intern slange Xtra | |
| 15 | 128500514 | 1 | WHEEL MUDGUARD | |
| 16 | 128500515 | 1 | Tilgangsstuds | |
| 17 | 128500604 | 1 | VIBRATION DAMPER | |
| 19 | 128500517 | 1 | WHEEL AXLE | |
| 20 | 127440210 | 1 | Låsering | |
| 21 | 128500552 | 1 | Hjulkapsel | |
| 23 | 128500553 | 1 | Hjul | |
| 25 | 128500520 | 1 | Front fod høj | |
| 26 | 128500521 | 1 | TUBE GUIDES | |
| 27 | 128500522 | 1 | Cover bag | |
| 28 | 128500523 | 1 | LANCE HOLDER TOP | |
| 30 | 128500554 | 1 | HANDLE LOCK BUTTON BLUE | |
| 31 | 128500931 | 1 | HANDLE TUBE AND ACC STORAGE | |
| 32 | 128500527 | 1 | Håndtag | |
| 33 | 128500528 | 1 | NUT FOR HANDLE LOCK | |
| 34 | 128500529 | 1 | SCREW M4X8 ISO7045 A2-50-H PH | |
| 35 | 128500530 | 1 | HOSE HOOK | |
| 36 | 1814732 | 2 | Skruer K50X18 | |
| 37 | 128500532 | 1 | POWER CABLE EU | |
| 37 | 128500533 | 1 | POWER CABLE UK | |
| 37 | 128500535 | 1 | POWER CABLE AUS/NZ | |
| 38 | 107141838 | 33 | SCREW K50X18 WN1451 BLACK TORX20 | |
| 39 | 128500595 | 2 | SCREW K50X35 WN1452 BLACK TORX | |
| 42 | 1814741 | 1 | CABLE TIE | |
| 43 | 128500636 | 1 | CAPACITOR 25UF | |
| 44 | | 1 | Hose reel complete | [5] |
| 45 | 128500578 | 1 | INLET GASKET | |
| 46 | 128500579 | 1 | OUTLET GASKET | |
| 47 | 106404529 | 1 | GARDENA COMPATIBLE MALE 3/4" ACCESSORY | |
| NS | 128500560 | 1 | 10PCS 4C BOX TO NILFISK E130.3 | |
| NS | 128500561 | 1 | 10PCS 4C BOX TO NILFISK E140.3 | |
| NS | 128500562 | 1 | 10PCS 4C BOX TO NILFISK E145.3 | |
| NS | 128500762 | 1 | 10 PCS 4C BOX DP E130.3 E140.3 | |
| NS | 128500764 | 1 | 10 PCS 4C BOX P E130.3 | |
| NS | 128500765 | 1 | 10 PCS 4C BOX PA E130.3 E140.3 | |
| NS | 128500767 | 1 | 10 PCS 4C BOX PAD E130.3 | |
| NS | 128500768 | 1 | 10PCS 4C BOX PAW E130.3 E140.3 | |
| NS | 128500774 | 1 | 10PCS 4CBOX PCAR E130.3 E140.3 | |
| NS | 128500778 | 1 | 10PCS 4C BOX PI E130.3 E140.3 | |
| NS | 128500782 | 1 | 10PCS 4C BOX PAD PLUS E130.3 | |
| NS | 128500782 | 1 | 10PCS 4C BOX PAD PLUS E130.3 | |

Part Notes:

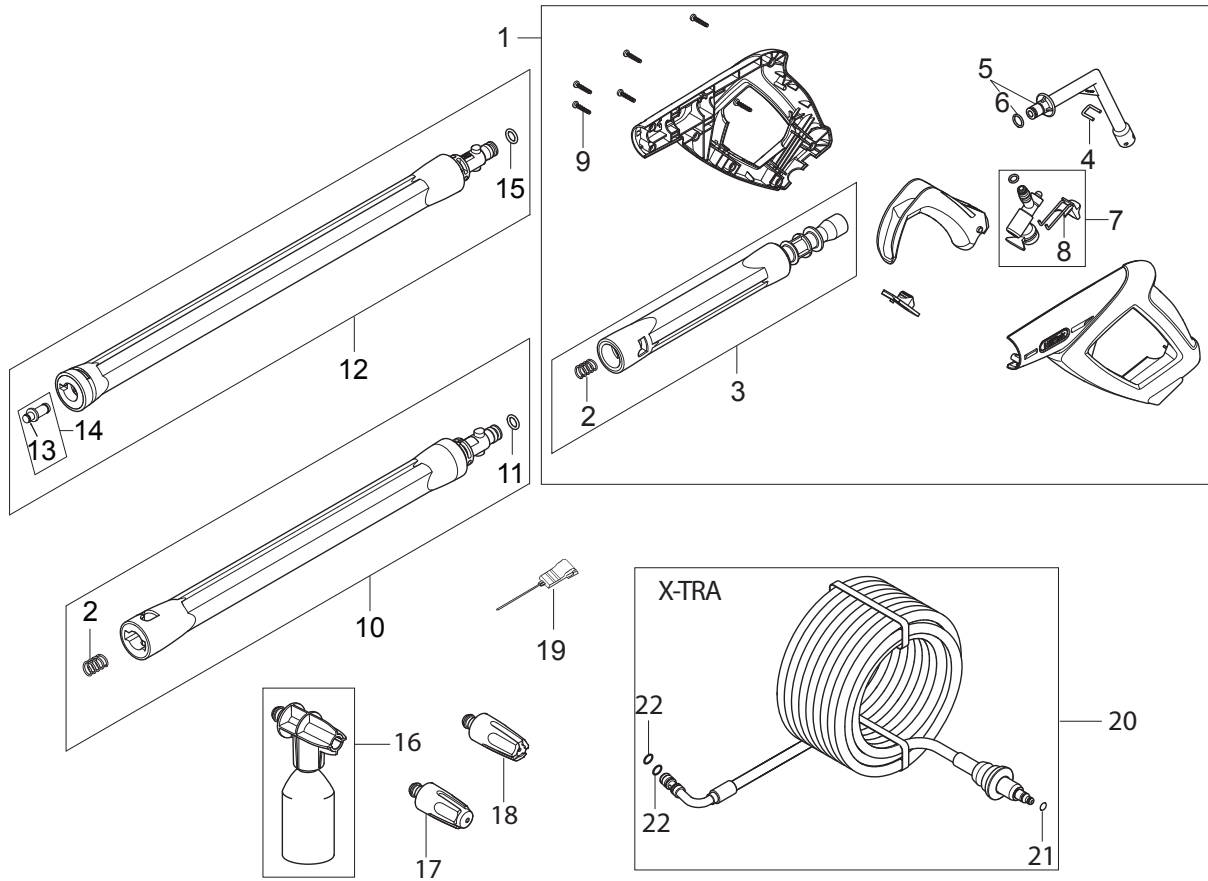
- [1] - If produced before serial number 21136572 (week 50, 2015) then pls. read TSB
TSB-CON-HPW-2016-001-Excellent - Motor cover and Switch box cover update
DE TSB-CON-HPW-2016-001 Excellent Änderung an Motorabdeckung und Schalte...
- [2] - If produced before serial number 21136572 (week 50, 2015) then pls. read TSB
TSB-CON-HPW-2016-001-Excellent - Motor cover and Switch box cover update
DE TSB-CON-HPW-2016-001 Excellent Änderung an Motorabdeckung und Schalte...
- [3] - black STD
- [4] - black XTRA
- [5] - See Hose reel



| Pos. | Vare-nr | Antal | Beskrivelse | Notes |
|------|-----------|-------|--------------------------------|-------|
| 1 | 127500051 | 1 | LOCK RING | |
| 2 | 127500040 | 1 | Ventilatorvinge | |
| 3 | 128500601 | 1 | MOTOR 230V/50HZ 2.1KW | |
| 4 | 128500604 | 4 | VIBRATION DAMPER | |
| 5 | 128500605 | 1 | THRUST BALL BEARING | |
| 6 | 127130066 | 1 | Spændeskive Ø22XØ6.4X1.5 | |
| 7 | 127500050 | 1 | SPRING WASHER | |
| 8 | 128500608 | 1 | SCREW M6X16 10.9 FZB ISO4762 | |
| 9 | 128500615 | 1 | WOBBLE DISC KIT 10.7 DEG | |
| 10 | 128500616 | 1 | PISTON COMPLETE KIT 3PCS | |
| 11 | 127440078 | 1 | o-ring 72x2 | |
| 12 | 128500618 | 1 | CYLINDERBLOCK KIT W.EASY START | |
| 13 | 128500619 | 1 | Easy start kit | |
| 14 | 128500620 | 1 | U-PIN OUTLET | |
| 15 | 128500195 | 1 | Tilgangsfilter | |
| 16 | 128500622 | 1 | OUTLET INSERT QUICK COUPLING | |
| 17 | 3004304 | 1 | O-ring | |
| 18 | 128500624 | 1 | Kontraventil | |
| 19 | 128500626 | 1 | Start/stop ventil | |
| 20 | 128500628 | 1 | Microswitch boks komplet | |
| 21 | 127440081 | 1 | Thrust Collar Water Kit | |
| 22 | 128500630 | 1 | O-RING 10.0X2.2 NBR 90 | |
| 23 | 128500851 | 3 | PRESSURE VALVE PLUG KIT | |
| 24 | 127440085 | 3 | O-Ring 11.7X2.0 Sh90 | |
| 25 | 128500855 | 1 | INLET OUTLET VALVE 6PCS | |
| 26 | 128500633 | 1 | CYLINDE HEAD R CYLINDER HEAD | |
| 27 | 127500029 | 4 | WASHER | |
| 28 | 127500050 | 4 | SPRING WASHER | |
| 29 | 127500071 | 1 | SCREW M6X70 DIN 912 4PCS | |
| 30 | 128500634 | 1 | CYLINDERBLOCK KIT | |
| 31 | 128500675 | 1 | U-PIN INLET | |



| Pos. | Vare-nr | Antal | Beskrivelse | Notes |
|------|-----------|-------|----------------------------------|-------|
| 0 | 128500531 | 1 | Slangerulle komplet | |
| 1 | 128500590 | 1 | Håndtag til slangeoprul | |
| 2 | 128500591 | 1 | Kit til slangeoprul | |
| 3 | 128500592 | 1 | LOCK KIT | |
| 4 | 128500593 | 1 | HOSE REEL BRACKET KIT | |
| 5 | 128500594 | 1 | HOSE GUIDE BRACKET | |
| 6 | 128500595 | 2 | SCREW K50X35 WN1452 BLACK TORX | |
| 7 | 107141838 | 2 | SCREW K50X18 WN1451 BLACK TORX20 | |

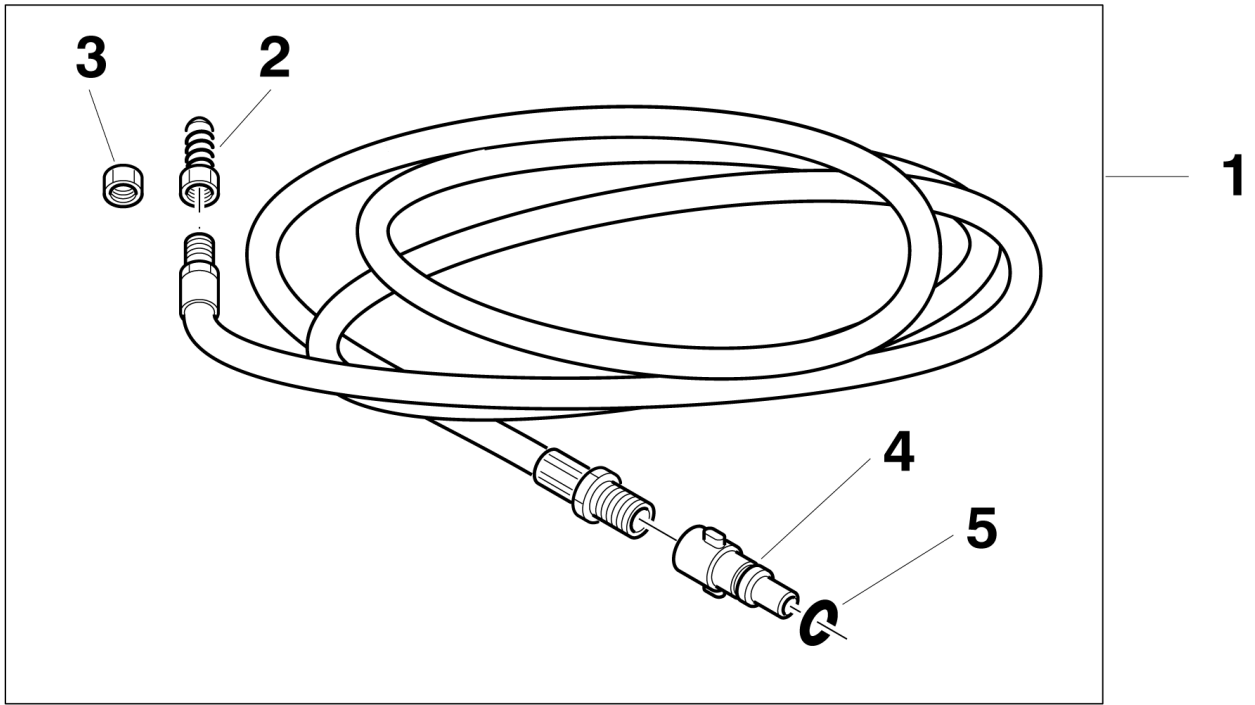


| Pos. | Vare-nr | Antal | Beskrivelse | Notes |
|------|-----------|-------|--------------------------------------|-------|
| 1 | 128500072 | 1 | Spulehåndtag SoftGrip G5 | |
| 2 | 2602500 | 1 | Fjeder | |
| 3 | 127440051 | 1 | Intermediate Tube G5 | |
| 4 | 6525232 | 1 | Låsebøjle | |
| 5 | 126481103 | 1 | PRESSURE TUBE W. O-RING | |
| 6 | 301003043 | 1 | O-Ring Ø 10,82X1,78 | |
| 7 | 127440049 | 1 | Klephuis Complete Blue | |
| 8 | 127440052 | 1 | SPRING BUTTOM TUBE | |
| 9 | 101814698 | 8 | Skruer | |
| 10 | 128500075 | 1 | Forlængerrør G5 | |
| 11 | 3004279 | 1 | O-ring 9,3 x 2,4 | |
| 12 | 128500074 | 1 | Click&Clean mellemrør G4 | |
| 13 | 3004312 | 1 | O-ring | |
| 14 | 126481109 | 1 | Lavtryksdyse med o-ringe | |
| 15 | 126481125 | 1 | O-ring til forlængerrør | |
| 16 | 128500077 | 1 | Click&Clean skumsprayer med dunk | [1] |
| 17 | 128500033 | 1 | Click&Clean Powerspeed dyse (turkis) | |
| 18 | 128500657 | 1 | Click&Clean Tornado PR dyse (rød) | [2] |
| 19 | 6520844 | 1 | Rensenål sort | |
| 20 | 128500656 | 1 | Højtryksslange 10 m Superflex | [2] |
| 21 | 3004304 | 1 | O-ring | |
| 22 | 3004321 | 2 | O-ring | |

Part Notes:

[1] - PRUNED

[2] - E145.3



| Pos. | Vare-nr | Antal | Beskrivelse | Notes |
|------|-----------|-------|---------------------------|-------|
| 1 | 128500461 | 1 | Rør- og kloakrensere 8 m | [1] |
| 1 | 6410766 | 1 | Rør- og kloakrensere 15 m | [2] |
| 2 | 6410790 | 1 | Styrefjeder f. rørrenser | |
| 3 | 6410696 | 1 | Spændering til rørrenser | |
| 4 | 6120486 | 1 | Nippel | |
| 5 | 3001211 | 1 | O-ring 9,6 x 2,4 Nitril | |
| 5 | 6411218 | 1 | O-ringe (10 stk. i pose) | |

Part Notes:

- [1] - 8M
[2] - 15M DT

