

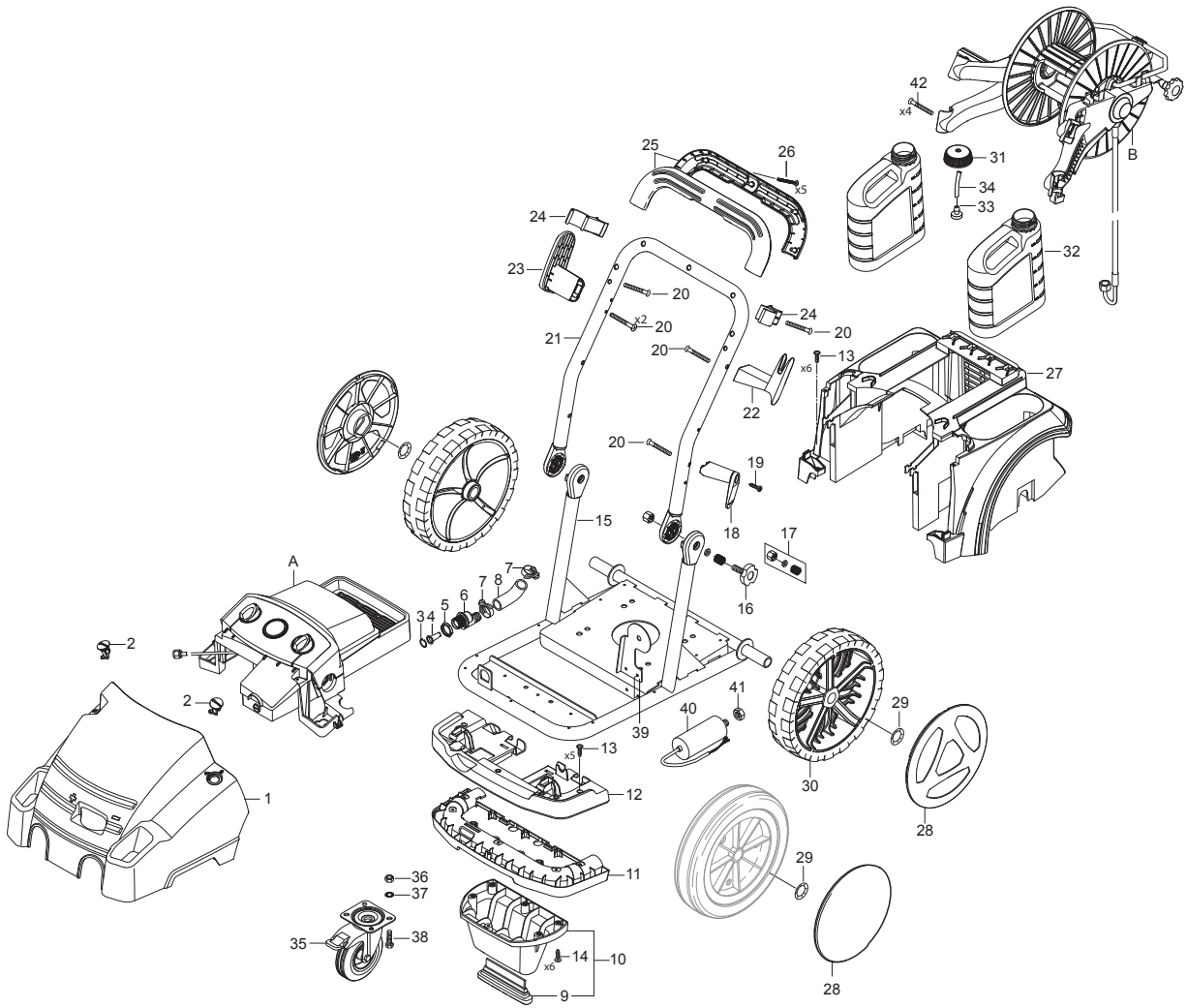
PARTS LIST



2017.04.07

TABLE OF CONTENTS

Overview	1
Electric box	4
Hose reel	7
Motor pump	9
Cylinder block	13
Unloader PA	15
Unloader PA without water regulation	17
Recommended spare parts	19
101118238 - NA5.2 Pump kit	22
Accessories	24

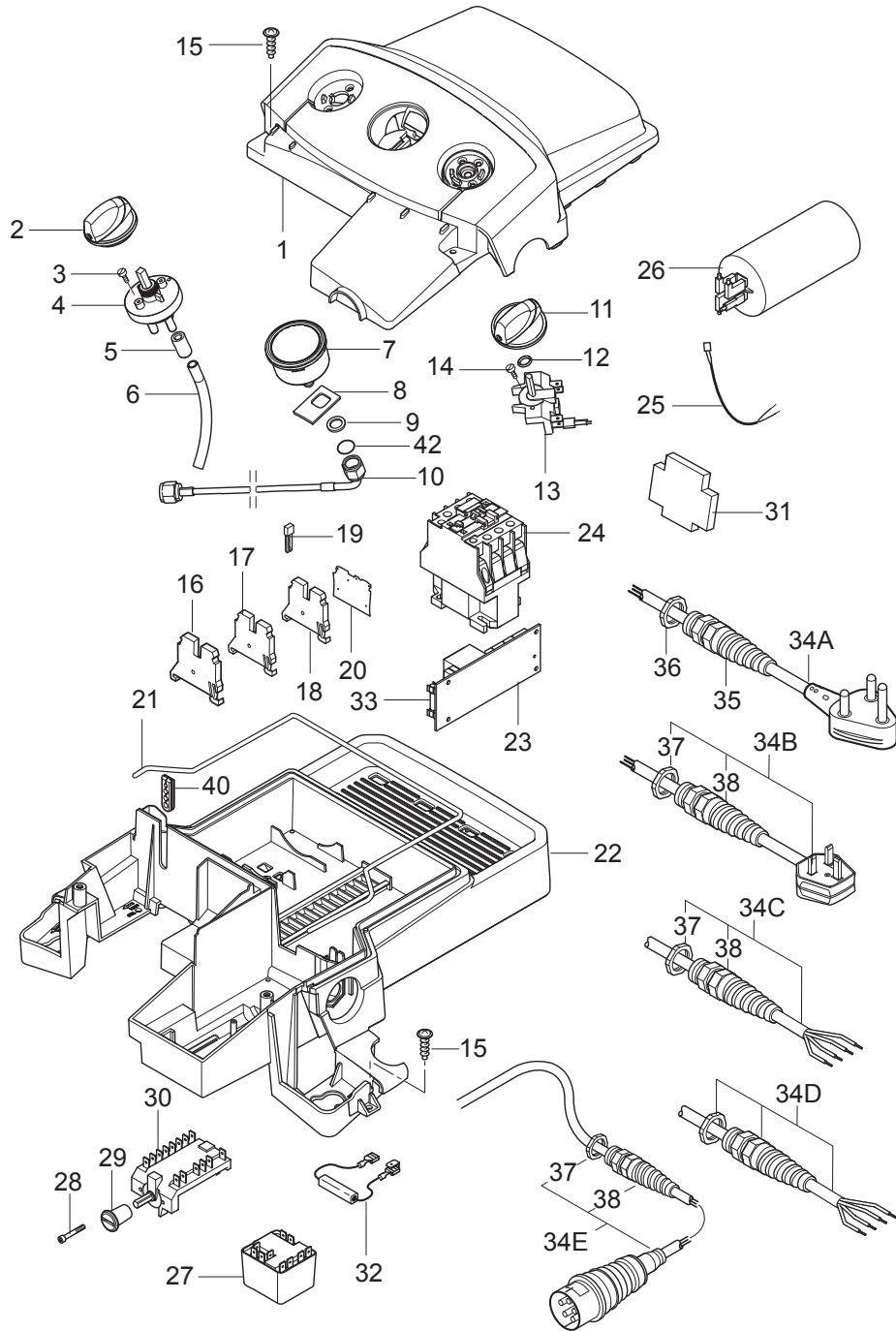


Pos.	Vare-nr	Antal	Beskrivelse	Notes
A		1	El-box complete	[1]
B		1	Hose reel complete	[2]
1	107141600	1	CABINET FRONT NA POSEIDON 5	
1	107141601	1	CABINET FRONT NA POS 5 NO REGULATION	
1	107140958	1	CABINET FRONT NA POSEIDON 5 UNITOR	
2	301001261	2	Lås	
3	107141667	1	LOCK WASHER	
4	101117926	1	Filter	
5	1800341	1	"Kontramøtrik 3/4" " "	
6	107141668	1	WATER INLET PIPE NA5/NA6	
7	23221	2	HOSE CLAMP 20-32	
8	107141670	1	RUBBER ELBOW NA5/NA6	[3]
8	107141697	1	RUBBER ELBOW NA5/NA6 FA	[4]
9	107141615	1	RUBBER FOOT	
10	101118100	1	FRONT FOOT FOR POSEIDON KIT	
11	107141617	1	BUMPER BOTTOM	
12	107141618	1	BUMPER TOP	
13	107141690	5	SCREW M5X12 DIN7985 TORX TAPTITE	
14	107141838	6	SCREW K50X18 WN1451 BLACK TORX20	
15	107141620	1	FRAME NA5	
15	107141622	1	FRAME STAINLESS STEEL	
16	107141672	2	GRIB FOR FOLDABLE HANDLE	
17	101118104	2	SPRING AND LOCK NUT KIT	
18	107141625	1	CABLE HOOK MOVABLE BLACK	
19	107141838	1	SCREW K50X18 WN1451 BLACK TORX20	
20	107141627	10	SCREW K50X40 T20	
21	107141623	1	FRAME HANDLE	
22	107141632	1	CABLE HOOK	
23	107141629	1	HOSE HOOK	
24	107141630	1	LANCE HOLDER NA	
25	101118101	1	HANDLE KIT	
26	909100148	5	SCREW K40X30 WN 1452	
27	107141634	1	REAR END	
28	107145780	2	WHEEL CAP FOR WHEEL Ø300X65 - NILFISK	[5]
28	107145782	2	WHEEL CAP FOR WHEEL Ø300X65 - UNITOR	[5]
28	301001077	2	Hjulkappe	[5]
28	107140961	2	Hjulkappe Ø300 UNITOR	[5]
29	46363	2	Låsering Ø25	
29	107145570	2	CLAMPING RING D25XD42X3	
30	6184074	2	Kørehjul	[5]
30	107145637	2	WHEEL D300X65	[5]
31	107141664	2	CAP FOR DETERG. TANK WITH VALVE MOUNTED	[6]
32	107141635	2	Flaske til rengøringsmiddel 2,5 liter	
33	6400240	1	Filter	
34	106408243	1	HOSE 1/4INCH TRANSPARENT - 5 METERS	
35	107141607	1	WHEEL W. BRAKE D125	
36	1800515	4	Låsemøtrik M8	
37	1800796	4	Skive M8	
38	2753	4	Skruer	
39	107141611	1	PLATE FOR CAPACITOR	
40	107141619	1	CAPACITOR 170MF	[7]
40	107141732	1	CAPACITOR 140 UF SPARE PART	[8]
41	2761	1	HEXAGON NUT M12	[9]
42	107141695	4	SCREW K50X35 TORX 20 WN5452 BLACK	
NS	107140982	1	10 PCS OF BOXES FOR PACKAGING	

Part Notes:

- [1] - See link Electric box
 [2] - See link Hose reel

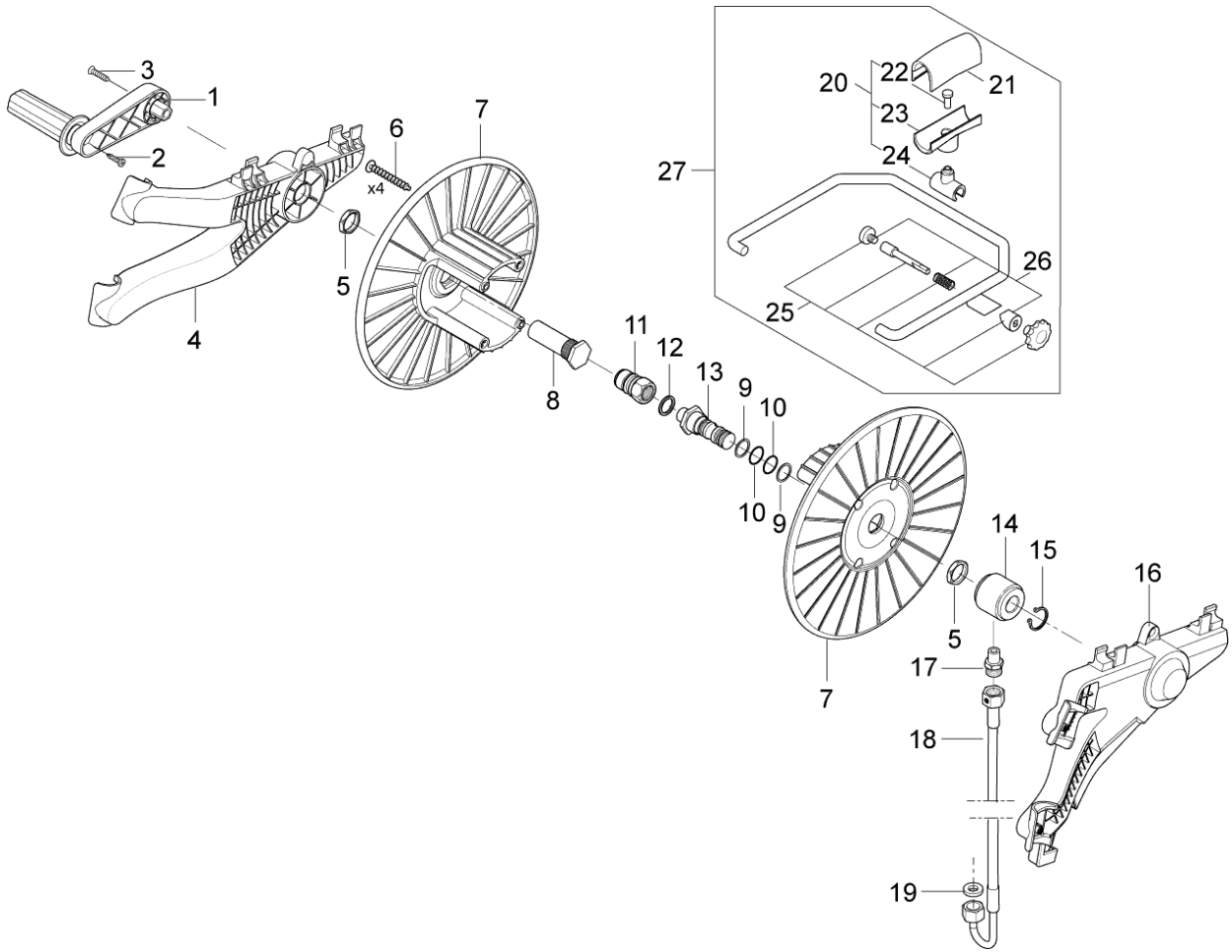
- [3] - PA
- [4] - FA
- [5] - The new wheel and wheel cap is added from
Variant Ser. Nr. order nr.machine nr.
Nilfisk 3520151900645 - 1712947 - 107146806
Unitor 3520151901159 - 1711044 - 107146807
- [6] - PRUNED
- [7] - 230-240/1/50 UK, AU
- [8] - US
- [9] - STOCK COVERS GUARANTEE



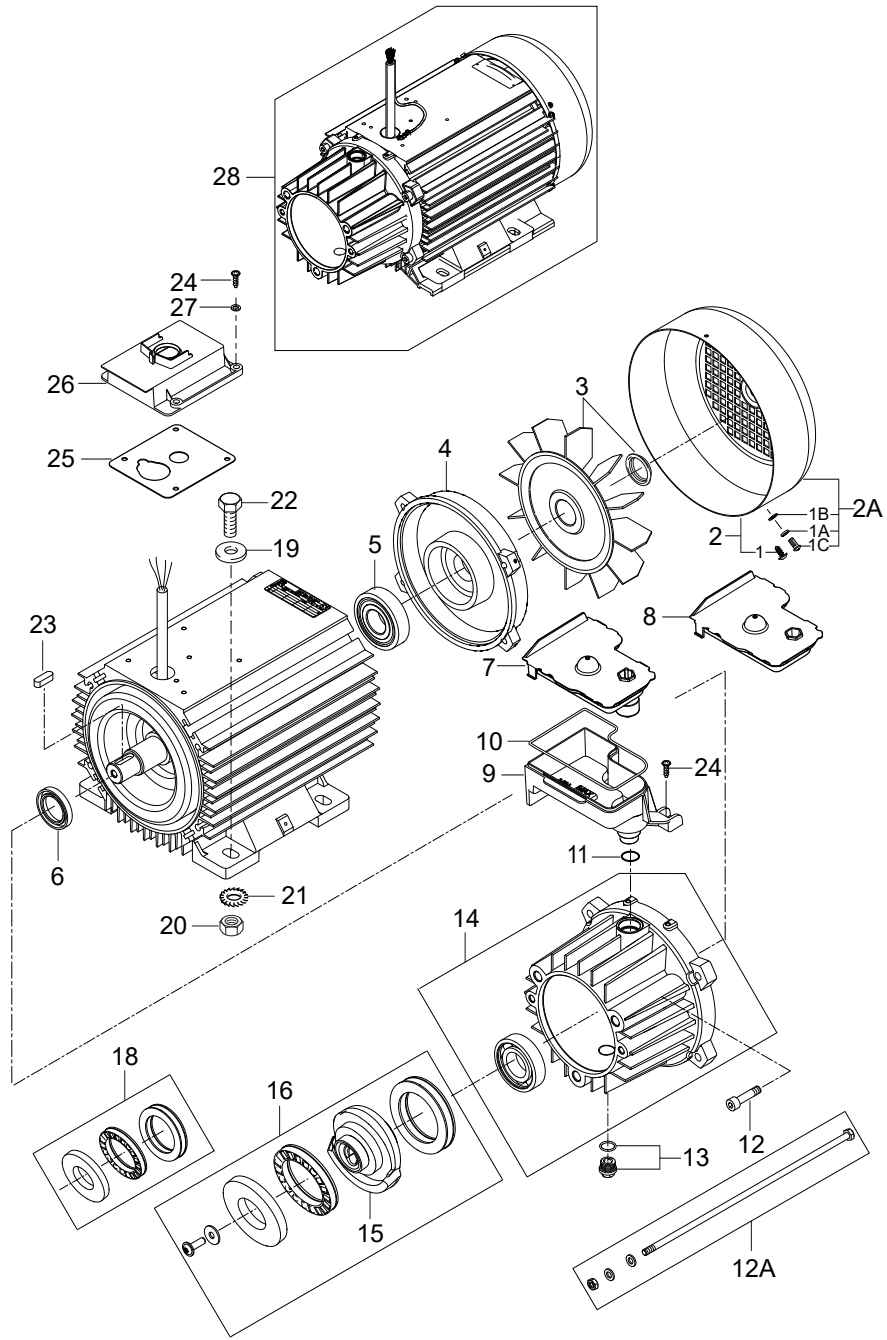
Pos.	Vare-nr	Antal	Beskrivelse	Notes
0	101118144	1	START RELAY KIT F. POSEIDON 5 1PH GB/AUS	[1]
0	101118143	1	START RELAY KIT F. POSEIDON 5-6-7 1PH US	[1]
1	107141644	1	E-BOX TOP F. 1-POS SWITCH AND DET. BLACK	[2]
1	107141646	1	E-BOX TOP F. 1-POS SWITCH-NO DET. BLACK	[3]
1	107141645	1	E-BOX TOP F. 2-POS SWITCH AND DET. BLACK	[4]
2	909100214	1	Drejeknap Gr.1 4Kt	
3	1814730	2	SCREW 35X10B W1423	
4	301001000	1	Doserventil	
5	301001906	1	Lukkekappe	
6	106408243	1	HOSE 1/4INCH TRANSPARENT - 5 METERS	
7	107141648	1	MANOMETER 0-300 BAR - 1/4"	
8	107141650	1	PLATE FOR MANOMETER	
9	107141651	1	WASHER M12 13X24X2.5 A2 DIN125	
10	107141653	1	MANOMETER TUBE FA MODELS	[5]
10	107141652	1	MANOMETER TUBE	[6]
11	909100204	1	Drejeknap	
12	9868	1	O-ring 10.0X2.5	
13	301001058	1	Start/stop kontakt	[7]
13	28877	1	Switch	[8]
14	18274	1	Skruer M4X12	
15	107141838	6	SCREW K50X18 WN1451 BLACK TORX20	
16	103821922	1	DIN-END STOP WO/SCREW WAGO 249-116	
17	107141633	1	TERMINAL BLOCK 4Q PE	
18	103821967	1	WIRE TERMINAL WAGO281 800V 4MM2	
19	103821969	1	Laske Wago 4Q	
20	103821968	1	Endeplade Wago 4Q	
21	101406054	1	Sponge Rubber Ø4 L 1M	
22	107141654	1	E-BOX BOTTOM DRILLED /CABLE/	
22	107141665	1	E-BOX BOTTOM	
22	107141655	1	E-BOX BOTTOM DRILLED /SWITCH/	[9]
23	107141666	1	PCB POSEIDON 5-6-7	
24	103822314	1	CONTACTOR CJX2-D32 32A 230V 3P+NO	[10]
24	103822303	1	Contactoer Cjx2-D18-V7 400	[11]
24	63910	1	KONTAKTOR	[12]
24	103822304	1	Contactoer Cjx2-D18-P7 230 V	[13]
25	107141656	1	WIRE	
25	107141796	1	PCB WIRE FOR SUCTION MODE	
26	101117947	1	CAPACITOR 100UF 450V DOUBLE 6.3 FASTON	[14]
26	101117948	1	CAPACITOR 70UF 400/450V DOUBLE FASTON	[15]
27	107140967	1	START RELAY RVA4N0C	[13]
27	107140968	1	START RELAY RVAH4AH0C	[16]
28	40045	2	PAN HEAD SCREW M4X30	
29	64580	1	ROTARY KNOB	[17]
30	301000293	1	Kontakt Stjerne/Trekant	
31	64773	1	Hjælpekontakt	
32	107141730	1	DISCHARGE RESISTOR 15KOHM/7W	[1]
33	301000263	1	Fuse 0,63A/500V/T Ø6 3X32	
34A	301000407	1	POWER CORD SJOW AWG10/3X9.0	[18]
34B	301000912	1	POWER CORD H07RN-F 3G1.5X6.0	[19]
34C	107140927	1	DISTRIBUTOR 6KT-SVV36X39 KIT	[20]
34D	301001384	1	POWER CORD VCT 4X3.5X10,8M W/O PLUG AEH	[21]
34D	301000834	1	Ledning Med Stik	[22]
35	909100198	1	SCREWED CABLE GLAND M25X1.5	[23]
36	909100020	1	Hexagon Thin Nut M25X1.5 En 50262 P	[23]
37	909100019	1	Møtrik	[24]
38	909100043	1	Kabelafasting	[24]
40	107141663	1	RUBBER GROMMET	
42	31000508	1	O-RING NBR	

Part Notes:

- [1] - 230/1/50 UK, 220-240/1/60 US
- [2] - 1 pos. and detergent
- [3] - 1 pos. without detergent
- [4] - 2 pos. and detergent
- [5] - FA
- [6] - PA
- [7] - 1-POS.
- [8] - 2-POS.
- [9] - Star/triangle
- [10] - (220-240/1/60 US) (200/3/50-60Hz JP)
- [11] - 400/3/50Hz
- [12] - 220/440/3/50/60Hz
- [13] - 230/1/50Hz
- [14] - 5-52FA
- [15] - 230/1/50 UK
- [16] - 220-240/1/60 US
- [17] - TSB-PPW-2016-007 Rotary knob for Voltage selector switch 230V-400V must be sealed with lacquer
DE TSB-PPW-2016-007 Drehknopf des Spannungsauswahlschalters 230V-400V muss mit Lack versiegelt werden
- [18] - US
STOCK COVERS GUARANTEE
- [19] - 5-32 PA – MC 5M 100/770 PA 230/1/50 UK -M25 - M20
- [20] - NO, EXP.
- [21] - JP
- [22] - EU, 3ph
- [23] - M25
- [24] - M20



Pos.	Vare-nr	Antal	Beskrivelse	Notes
0	106403143	1	Slangerulle kit	
1	101118102	1	HOSE REEL HANDLE KIT	
2	107141838	1	SCREW K50X18 WN1451 BLACK TORX20	
3	107141673	1	SCREW M6X45 ISO 7380 BLACK TORX	
4	107141674	1	ADAPTOR RIGHT FOR HOSE REEL	
5	62696	1	Møtrik	
6	909100153	1	Ejot-Skrue K60X40	
7	301000775	1	Slangerulle Halvdæl	
8	107141675	1	AXLE FOR HOSE REEL	
9	63792	2	Back-up ring	
10	19620	2	O-ring	
11	1600493	1	Ergo højtryksskobling DN10 3/8" han	
12	1801075	1	Tætningsskive 3/8"	
13	107141676	1	SWIVEL SCREW FOR HOSE REEL	
14	301000977	1	Lejebøsning	
15	1802057	1	Circlip external 20x1.2 Spring steel, bl	
16	107141677	1	ADAPTOR LEFT FOR HOSE REEL	
17	54590	1	Forskruning	
18	107141678	1	CONNECTION HOSE FOR HOSE REEL	
19	65466	1	Packing Ring 8X15X1	
20	101118103	1	HOSE GUIDE PARTS KIT	
21	301000674	1	Slangeføring Overdæl	
22	10028	1	Skrue	
23	301000676	1	Slangeføring Underdæl	
24	107141679	1	HOSE GUIDE SLEEVE OPEN	
25	101118106	1	HOSE GUIDE BRAKE COMPLETE KIT	
26	101118111	1	HOSE GUIDE KIT	
27	101118105	1	Bremse og styre kit til slangerulle	



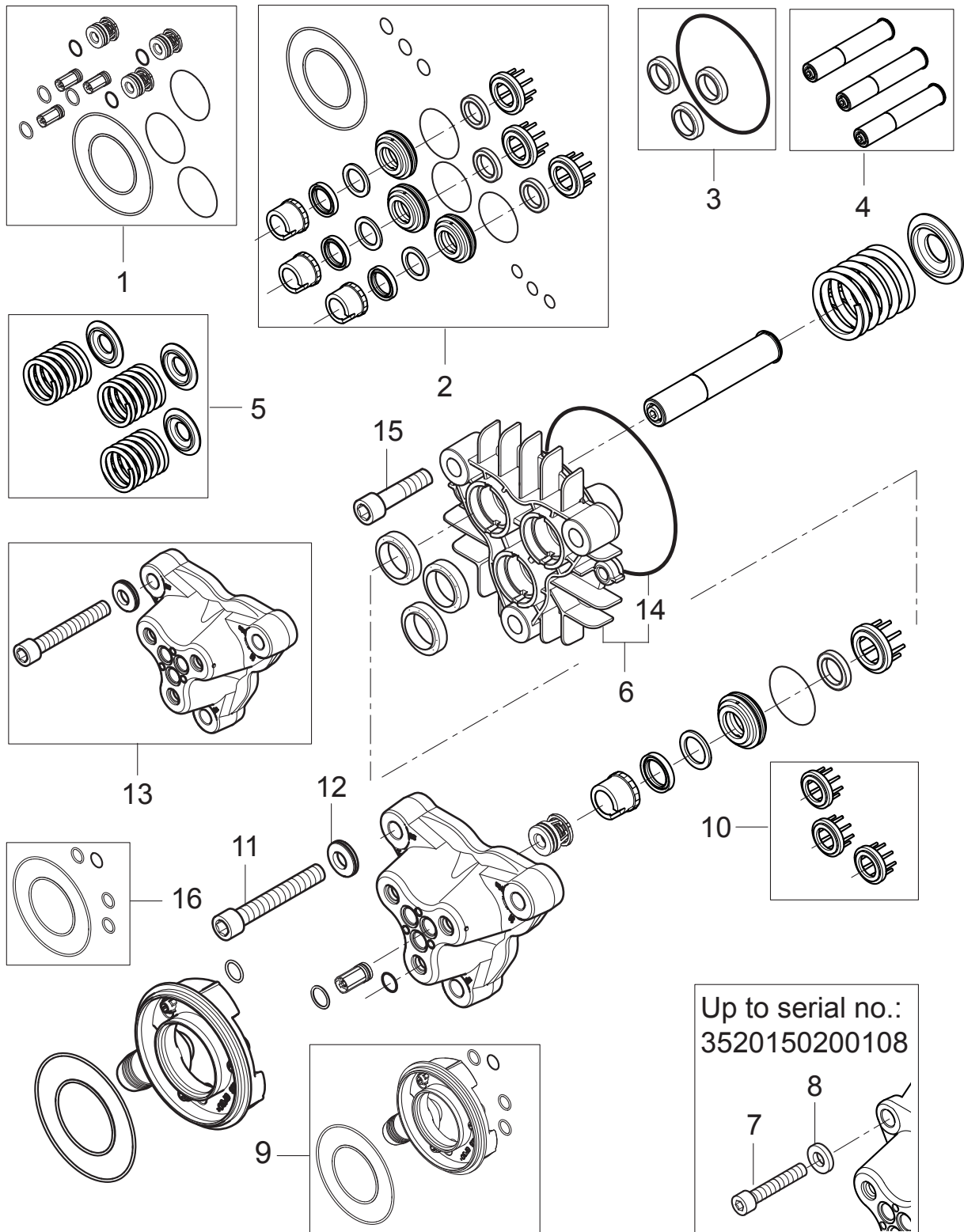
Pos.	Vare-nr	Antal	Beskrivelse	Notes
0	107144146	1	Pumpeolie (1 liter)	
0	5218433	1	Pumpeolie ISO 150 (1 liter)	[1]
1	31000489	1	SCREW 3X9.5 MUSHROOM HEAD EME	[2]
1A		1	Spring washer Ø5	[3]
1B		1	Flat washer Ø5	[4]
1C	31000488	1	SCREW M5X8 CYLINDER HEAD PH NOTCH RF	[5]
2	107144127	1	FAN COVER - EME	[6]
2A	107144126	1	FAN COVER RF	[5]
3	107144124	1	Vifte med låsering	[6]
3	107144125	1	FAN W LOCK RING RF	[5]
4	31000148	1	Rear Bearing Cover Rf	[5]
4	31000150	1	REAR BEARING COVER EME	[6]
5	31000149	1	Leje, Rf	[5]
5	31000151	1	REAR BEARING EME	[6]
6	G120414	1	Olietætningsring 30X47X10	
7	107140883	1	OIL CONTAINER TOP W/LEVEL SENSOR	
8	107140877	1	OIL CONTAINER TOP	
9	107140879	1	OIL CONTAINER BOTTOM	
10	101406054	1	Sponge Rubber Ø4 L 1M	
11	3004221	1	O-Ring 16X2	
12	2751	4	HEX. SCREW M8X35 ISO 4017 ZN	[6]
12A	31000505	1	STAY BOLT M8X290 RF	[7]
12A	31000504	1	STAY BOLT M8X265 RF	[8]
13	107141982	1	OIL PLUG W/O-RING AND MAGNET NA5.2	
14	107141967	1	D-BEARING COVER COMPLETE NA5.2	[9]
15	107141960	1	WOBBLE DISC 7.2 DEG. NA5.2	[10]
15	107141961	1	WOBBLE DISC 8.4 DEG. NA5.2	[11]
15	107141962	1	WOBBLE DISC 8.7 DEG. NA5.2	[12]
15	107141963	1	WOBBLE DISC 9.15 DEG. NA5.2	[13]
15	107141964	1	WOBBLE DISC 10.2 DEG. NA5.2	[14]
15	107141965	1	WOBBLE DISC 10.9 DEG. NA5.2	[15]
15	107141966	1	WOBBLE DISC 12 DEG. NA5.2	[16]
16	101118249	1	WOBBLE DISC 7.2 DEG. BEARING KIT NA5.2	[17]
16	101118246	1	WOBBLE DISC 8.4 DEG. BEARING KIT NA5.2	[18]
16	101118247	1	WOBBLE DISC 8.7 DEG. BEARING KIT NA5.2	[19]
16	101118245	1	WOBBLE DISC 9.15 DEG. BEARING KIT NA5.2	[20]
16	101118243	1	WOBBLE DISC 10.2 DEG. BEARING KIT NA5.2	[21]
16	101118242	1	WOBBLE DISC 10.9 DEG. BEARING KIT NA5.2	[22]
16	101118241	1	WOBBLE DISC 12 DEG. BEARING KIT NA5.2	[23]
18	101118240	1	BEARING KIT FA PA - NA5.2	
19	2767	7	Pakning 10,5X2	
20	1800465	4	Møtrik M10	
21	10204	4	SERRATED LOCK WASHER A10	
22	8927	4	HEXAGON HEAD CAP SCREW M10X 35 ISO 4017	
23	19639	1	Fjede A	
24	107140881	2	SCREW M5X12 DIN 7985 TORX	
25	107140875	1	SEALING BETWEEN E-BOX AND MPU	
26	107140876	1	COVER FOR E-BOX ON MOTOR	
27	2767	4	Pakning 10,5X2	
28	107141953	1	MOTOR 6.7KW 220-440/230-400/3 50/60HZ-EU	[24]
28	107141954	1	MOTOR 5.5 KW 220/230-400/440/3/50/60 EU	[25]
28	107141955	1	MOTOR 5.2 KW/220/1 60HZ 5-52 US	[26]
28	107141956	1	MOTOR 2.2 KW/230/1 50HZ	[27]
28	107141957	1	MOTOR 4KW 200/3/50-60HZ JP 5-47 JP	[28]
28	107141958	1	MOTOR 4KW 230-400/220-440 3/50-60HZ NA5	[29]
29	101118263	1	MPU NA5.2 PA 5.5KW/400V/50HZ/3PH/10.9DEG	
29	101118264	1	MPU NA5.2 PA 5.5KW/400V/50HZ/3PH/10.9DEG	
29	101118265	1	MPU NA5.2 PA 6.7KW/400V/50HZ/3PH/12DEG	
30	107142658	1	NA5.2 WD SCREW AND WASHER	

Part Notes:

- [1] - P5-32 UK
- [2] - NO LONGER AVAILABLE

- [3] - EME – has EME letter on the motor type plate
 - RF – has Nilfisk letter on the motor type plate
 Ø5 spring washer
- [4] - RF – has Nilfisk letter on the motor type plate
 Ø5 flat washer
- [5] - RF – has Nilfisk letter on the motor type plate
- [6] - - EME – has EME letter on the motor type plate
- [7] - RF – has Nilfisk letter on the motor type plate RF incl nut and washer,
 5-62 PA - MC 5M 220/1130 PA
 5-62 FA - MC 5M 220/1130 FA
- [8] - RF – has Nilfisk letter on the motor type plate RF incl nut and washer,
 5-32 PA – MC 5M 100/770 PA
 5-41 PA – MC 5M 180/840 PA
 5-47 PA – MC 5M 170/980 PA
 5-53 PA - MC 5M 200/1000 PA
 5-56 PA - MC 5M 200/1050 PA
 5-56 FA - MC 5M 200/1050 FA
- [9] - with 2 pins D4x8 - See instruction 107141734A_mounting D-bearing cover NA5
 TSB-PPW-2015-002 NA5.2 Pump Information
- [10] - 5-32 PA – MC 5M 100/770 PA, 240/1/50
 5-30 PA 240/1/50-
 5-41 PA – MC 5M 180/840 PA, 220/440/3/60
- [11] - 5-47 PA – MC 5M 170/980 PA, 200/3/60 JP
- [12] - 5-41 PA – MC 5M 180/840 PA, 400/3/50
- [13] - 5-56 PA - MC 5M 200/1050 PA, 60Hz
- [14] - 5-52 FA,
 5-47 PA – MC 5M 170/980 PA 200/3/50 JP
- [15] - 5-53 PA - MC 5M 200/1000 PA
 5-56 PA - MC 5M 200/1050 PA
 5-56 FA - MC 5M 200/1050 FA 50Hz
- [16] - 5-62 FA - MC 5M 220/1130 FA, 400/3/50
- [17] - 5-32 PA – MC 5M 100/770 PA 230/1/50 UK, 5-30 PA 240/1/50 AU
- [18] - 5-47 PA – MC 5M 170/980 PA 200/3/60 JP
- [19] - 5-41 PA – MC 5M 180/840 PA 400/3/50 EU
- [20] - 5-56 PA - MC 5M 200/1050 PA - 220/440/3/60 EXPT
- [21] - 5-52 FA 220-240/1/60 USA,
 5-47 PA – MC 5M 170/980 PA 200/3/50 JP
- [22] - 5-56 FA - MC 5M 200/1050 FA 400/3/50 EU,
 5-53 PA - MC 5M 200/1000 PA 400/3/50 EU
- [23] - 5-62 FA - MC 5M 220/1130 FA 400/3/50
- [24] - 5-62 PA - MC 5M 220/1130 PA
 5-62 FA - MC 5M 220/1130 FA
- [25] - 5-53 PA - MC 5M 200/1000 PA
 5-56 PA - MC 5M 200/1050 PA
 5-56 FA - MC 5M 200/1050 FA
- [26] - 5-52 US
- [27] - 5-32 PA – MC 5M 100/770 PA UK

- [28] - 5-47 PA – MC 5M 170/980 PA JP
- [29] - 5-41 PA – MC 5M 180/840 PA



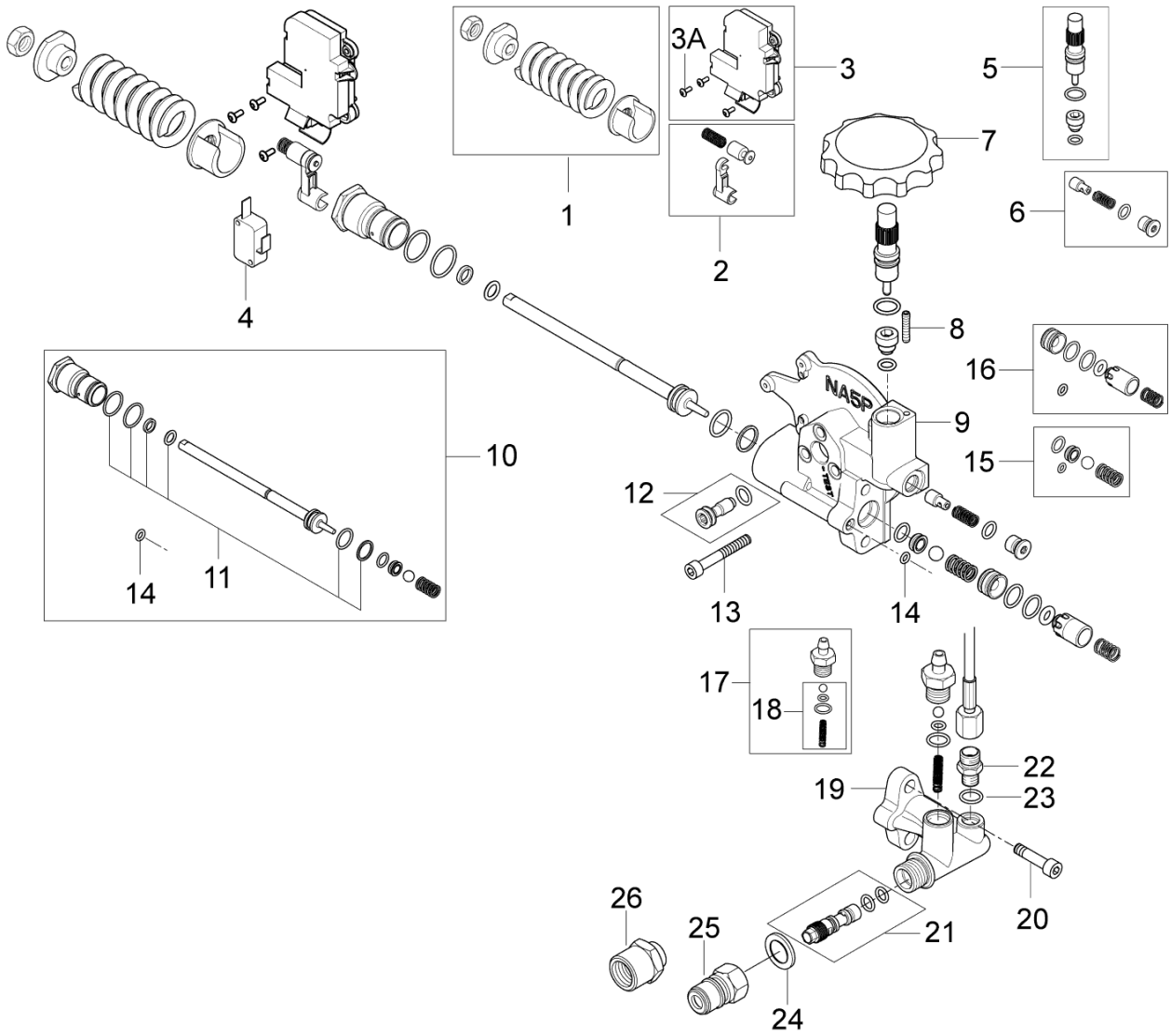
Up to serial no.:
3520150200108

This inset diagram shows a close-up of the cylinder block (6) with a bolt (7) and a washer (8) being installed into one of the mounting holes. The bolt (7) is shown passing through the washer (8) and into the block.

Pos.	Vare-nr	Antal	Beskrivelse	Notes
1	101118121	1	VALVE KIT - NA5	
2	101118123	1	WATER SEAL KIT W/NEW SUPPORT RING - NA5	
3	107144102	1	Oliemanchet Kit - Na5	
4	101118239	1	PISTON KIT - NA5.2	
5	107144104	1	Fjeder Kit - Na5	
6	107141983	1	CYLINDER BLOCK W/O-RING NA5.2	[1]
7	107141513	3	CYLINDRICAL SCREW M12X65 12.9 DELTASIL	[1]
8	107141727	3	WASHER D13 SPARE PART	[1]
9	101118078	1	WATER INLET KIT FOR NA5	
10	107140919	1	SUPPORT RING NA5 SPARE	
11	107141968	3	CYL.SCREW M12X80 WITH NORDLOCK WASHER	[1]
12	107141969	3	WASHER NLX12SP ?12.5X?19.5X3.5MM	[1]
13	107141985	1	CYLINDER HEAD NA5.2 W. SCREWS WASHERS	[1]
14	107141512	1	O-RING D114 X D1.78 NBR 72	
15	4042	2	CYLINDER SCREW M8X40 ISO 4762 8.8 ZN	
16	101118080	1	SEAL KIT FOR WATER INLET FOR NA5 FA PA	

Part Notes:

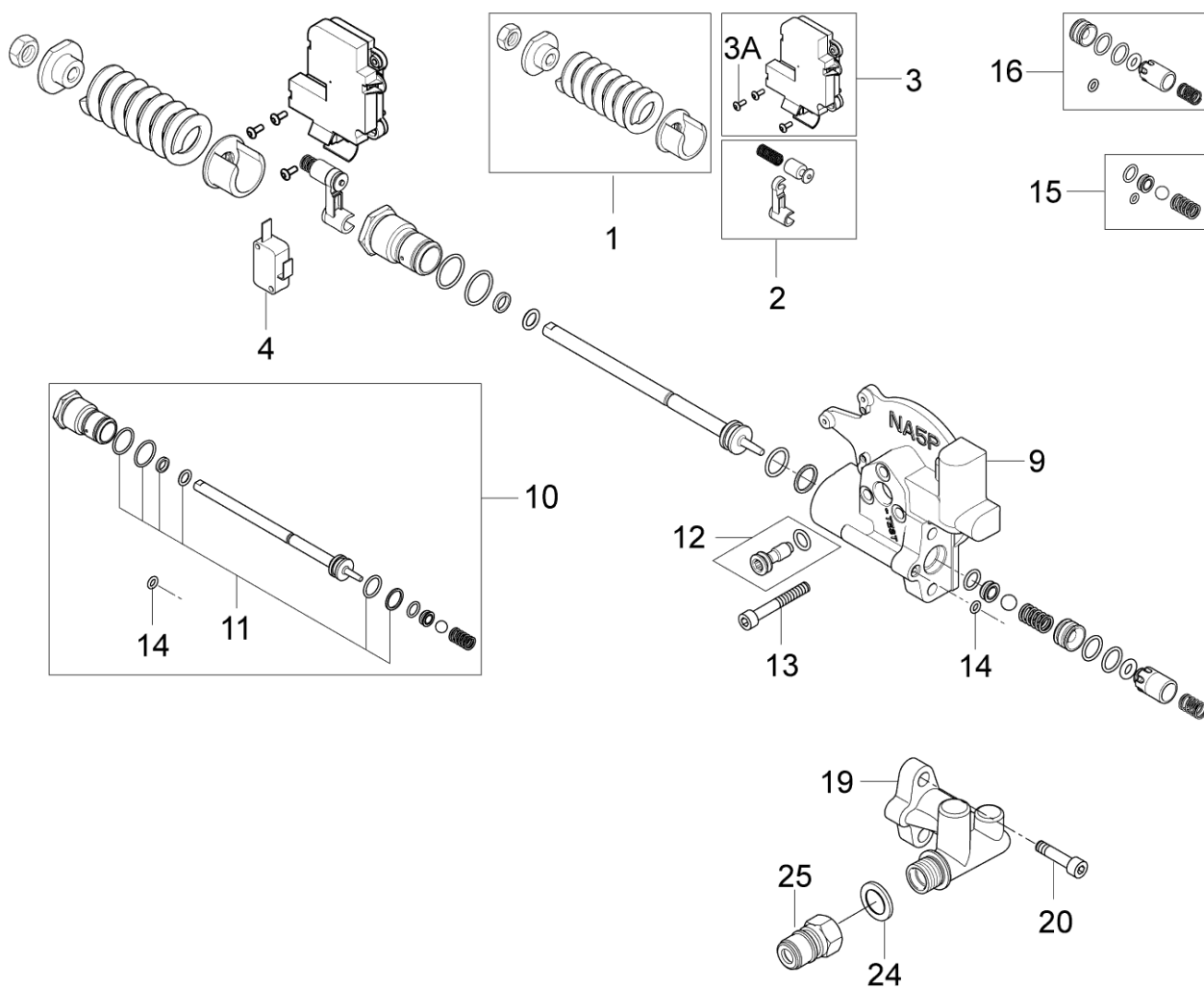
- [1] - TSB-PPW-2015-002 NA5.2 Pump Information
 TSB-PPW-2012-007 Washer for cylinder block NA5
 DE TSB-PPW-2012-007 Unterlagscheibe Zylinderkopf



Pos.	Vare-nr	Antal	Beskrivelse	Notes
1	101118091	1	UNLOADER SPRING REP. KIT-PAINTED NA5 PA	[1]
1	101118092	1	UNLOADER SPR. REP.KIT-NON PAINTED NA5 PA	[2]
2	101118090	1	MICROSW. ACTIVATION REP. KIT NA5 PA	
3	101118084	1	MICROSWITCH BOX W/O MICROSW. NA5 PA	
3A	107141515	3	SCREW M3X8 ISO7380 FZG TORX 10	
4	301002754	1	Micro-Switch	
5	101118160	1	FLOW REGULATION REP. KIT NA5 PA SS	
6	101118086	1	PRESS. BUILD UP VALVE REP. KIT NA5 PA	
7	107140823	1	REGULATOR KNOB NA5/NA6	
8	106408188	1	DIN 913 M4X20 POINTED SCREW	
9	107140884	1	UNLOADER PA NA5	
10	101118082	1	STEM PLUS SEALING REP. KIT NA5 PA	[3]
11	101118083	1	SEAL KIT FOR STEM FOR NA5 PA	
12	107144137	1	Unloader Plug Na5	
13	5100	3	Screw M6X45	
14	107141514	1	O-RING D4 X D1.5 NBR 90	
15	101118088	1	BYPASS VALVE REP. KIT NA5 PA	[3]
16	101118120	1	HOLDING PRESSURE VALVE KIT NA5 PA -UK AU	[4]
16	101118087	1	HOLDING PRESS. VALVE REP. KIT NA5 PA	[3]
17	1119406	1	Rep. sæt kontraventil	
18	101118089	1	NON RETURN VALVE REP. KIT NA5 PA	
19	107141516	1	OUTLET FITTING NA5 PA	
20	8894	2	Skruer	
21	107144112	1	Injektør - Na5	
22	1821	1	Fitting	
23	101814735	1	"Tætn.Skive 1/8" Pp45C Bond "	
24	1801075	1	Tætningskive 3/8"	
25	1600493	1	Ergo højtryksskobling DN10 3/8" han	
25	1603101	1	Ergo højtryksskobling DN10 RF han	[5]
26	64235	1	CONVERTER KEW/WAP	

Part Notes:

- [1] - 5-47 PA – MC 5M 170/980 PA
5-56 PA - MC 5M 200/1050 PA
5-56 FA - MC 5M 200/1050 FA
5-62 PA - MC 5M 220/1130 PA
5-62 FA - MC 5M 220/1130 FA(5-41 PA – MC 5M 180/840 PA)
- [2] - 5-30,
5-32 PA – MC 5M 100/770 PA
- [3] - TSB-PPW-2017-005 Low pressure—Unloader valve for NA5.2 pump can leak internally
- [4] - 5-32, UK and 5-30, AU
TSB-PPW-2017-005 Low pressure—Unloader valve for NA5.2 pump can leak internally
- [5] - INOX



Pos.	Vare-nr	Antal	Beskrivelse	Notes
1	101118091	1	UNLOADER SPRING REP. KIT-PAINTED NA5 PA	[1]
2	101118090	1	MICROSW. ACTIVATION REP. KIT NA5 PA	
3	101118084	1	MICROSWITCH BOX W/O MICROSW. NA5 PA	
3A	107141515	3	SCREW M3X8 ISO7380 FZG TORX 10	
4	101118011	1	End Switch 250V 5A W.Wire Fsh/Fs 6.3 Ki	
9	107140932	1	UNLOADER PA NA5 W/O WATERREG./DETERG.	
10	101118082	1	STEM PLUS SEALING REP. KIT NA5 PA	
11	101118083	1	SEAL KIT FOR STEM FOR NA5 PA	
12	107144137	1	Unloader Plug Na5	
13	5100	3	Screw M6X45	
14	107141514	1	O-RING D4 X D1.5 NBR 90	
15	101118088	1	BYPASS VALVE REP. KIT NA5 PA	
16	101118087	1	HOLDING PRESS. VALVE REP. KIT NA5 PA	
19	107140933	1	OUTLET FITTING NA5 PA W/O WAT.REG./DET.	
20	8894	2	Skruer	
24	1801075	1	Tætningskive 3/8"	
25	1603101	1	Ergo højtryksskobling DN10 RF han	[2]
25	1600493	1	Ergo højtryksskobling DN10 3/8" han	

Part Notes:

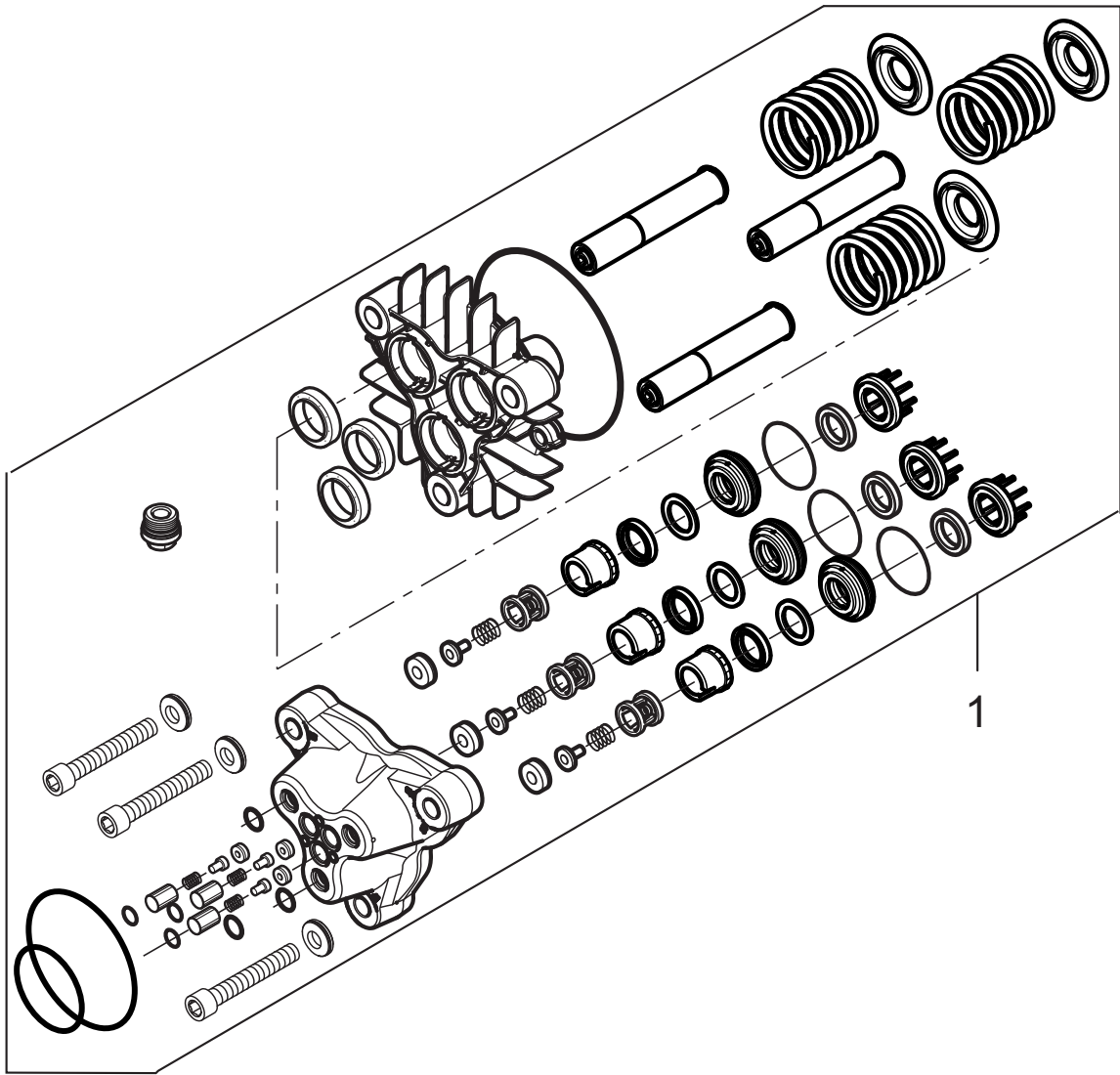
- [1] - 5-41 PA – MC 5M 180/840 PA
5-53 PA - MC 5M 200/1000 PA
- [2] - INOX

Pos.	Vare-nr	Antal	Beskrivelse	Notes
	101118106	1	HOSE GUIDE BRAKE COMPLETE KIT	
	101118111	1	HOSE GUIDE KIT	
	101118102	1	HOSE REEL HANDLE KIT	
	107141690	1	SCREW M5X12 DIN7985 TORX TAPTITE	
	107141632	1	CABLE HOOK	
	107141668	1	WATER INLET PIPE NA5/NA6	
	107141652	1	MANOMETER TUBE	
	107141679	1	HOSE GUIDE SLEEVE OPEN	
	107141676	1	SWIVEL SCREW FOR HOSE REEL	
	107141663	1	RUBBER GROMMET	
	107141635	1	Flaske til rengøringsmiddel 2,5 liter	
	107141664	1	CAP FOR DETERG. TANK WITH VALVE MOUNTED	[1]
	107141670	1	RUBBER ELBOW NA5/NA6	
	107141667	1	LOCK WASHER	
	107141629	1	HOSE HOOK	
	107141650	1	PLATE FOR MANOMETER	
	107141634	1	REAR END	
	101118103	1	HOSE GUIDE PARTS KIT	
	107141633	1	TERMINAL BLOCK 4Q PE	
	107141648	1	MANOMETER 0-300 BAR - 1/4"	
	107141630	1	LANCE HOLDER NA	
	107141653	1	MANOMETER TUBE FA MODELS	
	101118104	1	SPRING AND LOCK NUT KIT	
	101118105	1	Bremse og styre kit til slangerulle	
	101118101	1	HANDLE KIT	
	107141615	1	RUBBER FOOT	
	107141627	1	SCREW K50X40 T20	
0A	101118080	1	SEAL KIT FOR WATER INLET FOR NA5 FA PA	
0A	107144100	1	Ventil Kit Na5	
0A	101118083	1	SEAL KIT FOR STEM FOR NA5 PA	
0A	101118086	1	PRESS. BUILD UP VALVE REP. KIT NA5 PA	
0A	107144102	1	Oliemanchet Kit - Na5	
0A	101118050	1	SEALING KIT FOR NA6	
0A	3004221	1	O-Ring 16X2	
0A	101118056	1	RETURN VALVE BY-PASS - KIT NA6	
0A	101118055	1	MAGNET AND HOUSE FOR FLOW SWITCH-KIT NA6	
0A	101117926	1	Filter	
0B	101118088	1	BYPASS VALVE REP. KIT NA5 PA	
0B	101118082	1	STEM PLUS SEALING REP. KIT NA5 PA	
0B	107144104	1	Fjeder Kit - Na5	
0B	101118239	1	PISTON KIT - NA5.2	
0B	106408216	1	REED SWITCH	
0B	107144112	1	Injektør - Na5	
0C	101118242	1	WOBBLE DISC 10.9 DEG. BEARING KIT NA5.2	
0C	101118247	1	WOBBLE DISC 8.7 DEG. BEARING KIT NA5.2	
0C	101118245	1	WOBBLE DISC 9.15 DEG. BEARING KIT NA5.2	
0C	101118241	1	WOBBLE DISC 12 DEG. BEARING KIT NA5.2	
0C	101118246	1	WOBBLE DISC 8.4 DEG. BEARING KIT NA5.2	
0C	101118249	1	WOBBLE DISC 7.2 DEG. BEARING KIT NA5.2	
0C	101118243	1	WOBBLE DISC 10.2 DEG. BEARING KIT NA5.2	
0C	101118051	1	PLUG FOR UNLOADER VALVE FA - KIT NA6	
0C	301000263	1	Fuse 0,63A/500V/T Ø6 3X32	
0C	301001058	1	Start/stop kontakt	
0C	107140967	1	START RELAY RVA4N0C	
0C	107141957	1	MOTOR 4KW 200/3/50-60HZ JP 5-47 JP	
0C	101118091	1	UNLOADER SPRING REP. KIT-PAINTED NA5 PA	
0C	101118117	1	CONTROL UNIT - KIT NA5	
0C	31000149	1	Leje, Rf	
0C	107141619	1	CAPACITOR 170MF	

Pos.	Vare-nr	Antal	Beskrivelse	Notes
0C	103822303	1	Contactora Cjx2-D18-V7 400	
0C	301000402	1	Modstand	
0C	31000151	1	REAR BEARING EME	
0C	101118089	1	NON RETURN VALVE REP. KIT NA5 PA	
0C	101117948	1	CAPACITOR 70UF 400/450V DOUBLE FASTON	
0C	107141954	1	MOTOR 5.5 KW 220/230-400/440/3/50/60 EU	
0C	101118090	1	MICROSW. ACTIVATION REP. KIT NA5 PA	
0C	107141956	1	MOTOR 2.2 KW/230/1 50HZ	
0C	64773	1	Hjælpekontakt	
0C	101118011	1	End Switch 250V 5A W.Wire Fsh/Fs 6.3 Ki	
0C	103822314	1	CONTACTOR CJX2-D32 32A 230V 3P+NO	
0C	107141953	1	MOTOR 6.7KW 220-440/230-400/3 50/60HZ-EU	
0C	101118078	1	WATER INLET KIT FOR NA5	
0C	63910	1	KONTAKTOR	
0C	1119406	1	Rep. sæt kontraventil	
0C	106408189	1	NUT M8 X 1 FOR UNLOADER VALVE FA	
0C	107141955	1	MOTOR 5.2 KW/220/1 60HZ 5-52 US	
0C	107141967	1	D-BEARING COVER COMPLETE NA5.2	
0C	103822304	1	Contactora Cjx2-D18-P7 230 V	
0C	107141958	1	MOTOR 4KW 230-400/220-440 3/50-60HZ NA5	
0C	107141666	1	PCB POSEIDON 5-6-7	

Part Notes:

[1] - PRUNED



101118238 - NA5.2 Pump kit

POSEIDON 5-53 PA / MC 5M 200/1000 PA

2015.05.19

2017.03.03

Pos.	Vare-nr	Antal	Beskrivelse	Notes
1	101118238	1	PUMP KIT - NA5.2	

Pos.	Vare-nr	Antal	Beskrivelse	Notes
1	106403122	1	Ergo 2000 spulehåndtag m. svivel	[1]
1	106403154	1	Ergo 2000 spulehåndtag uden logo	[2]
2	106403010	1	Tornado Plus dyserør u. dyse 112 cm	[3]
3	101119741	1	Tornado Plus dyse 1/8" 0500 Gul	[4]
3	101119746	1	Tornado Plus dyse 1/8" 0650 Svag grøn	[5]
3	101119742	1	Tornado Plus dyse 1/8" 0530 Rød	[6]
3	101119738	1	Tornado Plus dyse 1/8" 0400 Metalgrå	[7]
3	301150005	1	Tornado Plus dyse 1/8" 0475 Klar blå	[8]
4	106403003	1	TurboHammer Plus dyserør 0500 W12 113 cm	[9]
4	106402291	1	TurboHammer Plus dyserør 0500 W11 113 cm	[10]
4	65437	1	TurboHammer dyse 1/8" 0400 W12 Metalgrå	[7]
5	101405770	1	Højtryksslange 10 m dobbelt-wire DN8	[11]
5	101406175	1	Højtryksslange 15 m dobbelt-wire DN6	[12]
5	301001101	1	Højtryksslange 20 m dobbelt-wire DN8	[13]
5	301001100	1	Højtryksslange 15 m dobbelt-wire DN8	[11]
10	106403142	1	Sandfilter m. beslag	[14]
11	106403165	1	Sandfilter m. RF beslag	[15]
12	106403143	1	Slangerulle kit	[16]
13	101118105	1	Bremse og styre kit til slangerulle	[16]
14	106403145	1	Forhjuls kit	[17]
15	106403144	1	Svømmertank kit	[18]
16	106403160	1	Løftebeslag til kran 1000 kg 50 cm	[19]
17	106403162	1	Rengøringsmiddelstank med sikkerhedslag	[20]
18	106403166	1	Pumpeolie niveauføler m. sikkerhedsstop	[21]

Part Notes:

- [1] - ERGO 2000 Spray handle
- [2] - UNITOR
- [3] - TORNADO PLUS lance
- [4] - 5-47 J, 5-53, 5-56
- [5] - 5-52 US
- [6] - 5-62
- [7] - 5-41
- [8] - 5-32
- [9] - 5-32

- TURBOHAMMER PLUS lance
- [10] - 5-53
TURBOHAMMER PLUS lance
- [11] - HOSES Overview
- [12] - POSEIDON 5-41 PAXT, 5-53 PAXT
HOSES Overview
PRUNING-NO REPLACEMENT
- [13] - POSEIDON 5- 62 PAXT
HOSES Overview
- [14] - SANDFILTER KIT POSEIDON 5-6-7 from September 2012
- [15] - SANDFILTER FOR WBT POSEIDON 5-6-7 from September 2012
- [16] - Hose reel
- [17] - 106403145 - Front wheel kit
- [18] - 106403144 - WATER BRAKE TANK POSEIDON 5-6-7 from September 2012
- [19] - Crane roundsling 1000kg 50cm
- [20] - 106403162 - Detergent tank with safety cap
- [21] - 106403166 - Low pump oil safety function for POSEIDON 5

