

GD 110

Model:
GD 110



Part List US-English

08-02-2015

Nilfisk

www.nilfisk.com

Table of Contents

GD 110

| | |
|---------------------------------|----------|
| Overview | 3 |
| Accessories line drawing | 5 |
| NILFISK MOP | 7 |

Overview

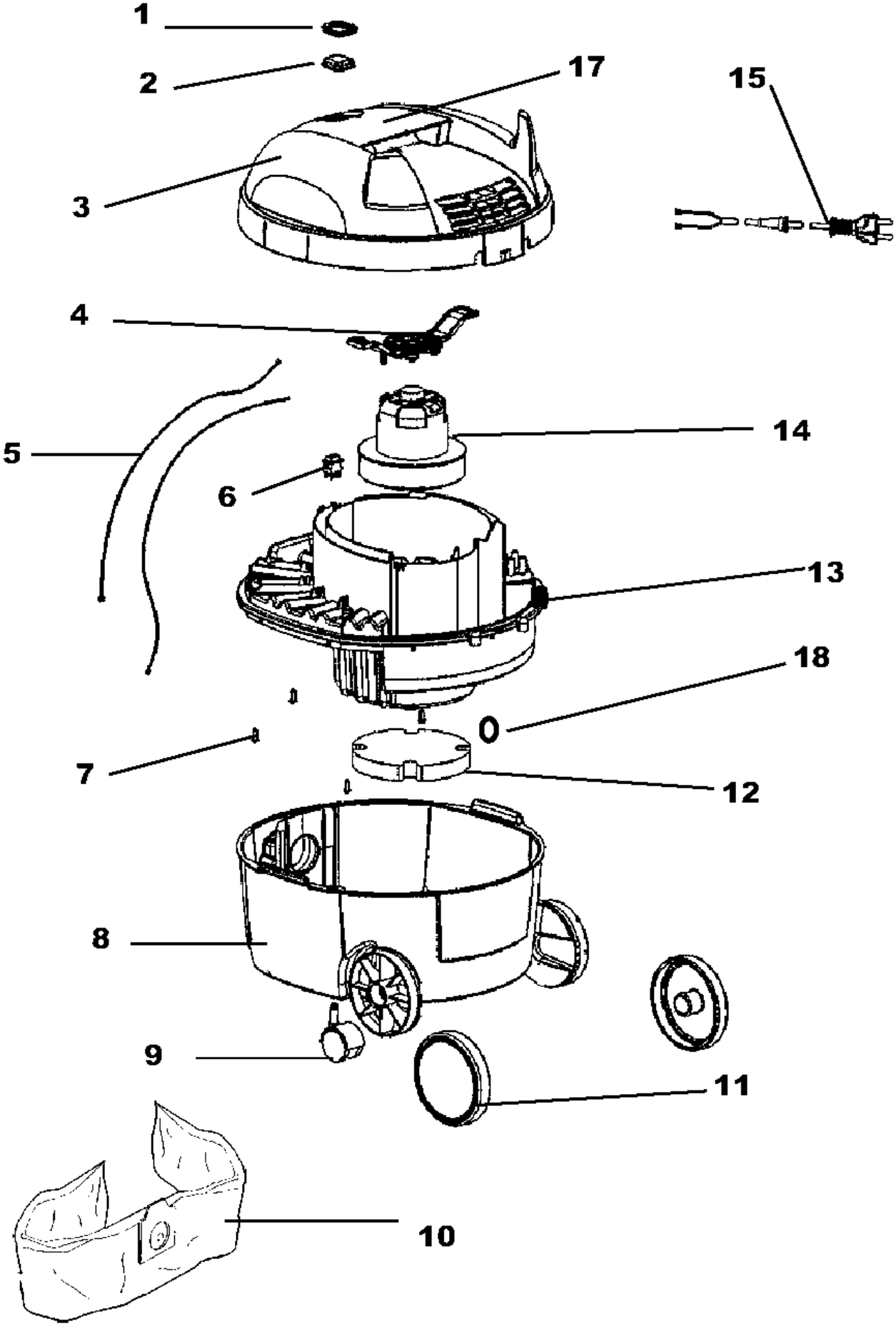
GD 110

08-02-2015

Part List ID

B3613

3



Overview

GD 110

08-02-2015

Part List ID

B3613

4

| Pos | Part no. | Qty | Description | |
|-----|--------------|-----|------------------------------|-----------------|
| 1 | 140 7223 030 | 1 | SECURITY RING GREY | |
| 1 | 140 7223 040 | 1 | LOCKING RING ALTOBLUE | |
| 2 | 140 7222 040 | 1 | PROTECTION HOOD | |
| 3 | 140 7886 000 | 1 | TOP COVER GREY | |
| 3 | 140 7886 010 | 1 | TOP COVER FOR US-VARIANTS | |
| 3 | 140 7886 040 | 1 | TOP COVER GERNIGREEN | |
| 4 | 140 8034 000 | 1 | MOTOR SUPPORT | |
| 5 | 140 7040 310 | 2 | WIRE COMPL. | |
| 6 | 140 8096 000 | 1 | SWITCH-KIT GD 110 | |
| 7 | 140 9214 040 | 5 | SCREW PTK TORX 40X14 MM FZB | |
| 8 | 140 7888 000 | 1 | CONTAINER | |
| 9 | 140 7607 000 | 1 | CASTOR WHEEL 40MM | |
| 10 | 140 7019 010 | 1 | DUST BAG CLOTH | |
| 10 | 140 8007 010 | 1 | DUST BAG 5-PCS | |
| 10 | 140 8007 020 | 1 | DUST BAG 10-PCS | |
| 12 | 140 8025 000 | 1 | PRE-FILTER | |
| 13 | 140 7729 000 | 1 | CHASSI CPL. | |
| 14 | 140 7993 500 | 1 | FAN UNIT KIT 220-240V AMETEK | |
| 14 | 140 7993 510 | 1 | FAN UNIT KIT 110-127V | |
| 14 | 140 7993 520 | 1 | FAN UNIT KIT 100V | |
| 15 | 140 8011 140 | 1 | CORD SET L 10500 US | |
| 15 | 140 8011 170 | 1 | CORD SET L 10500 EU | |
| 15 | 140 8011 180 | 1 | CORD SET L 10500 UK | |
| 15 | 140 8011 190 | 1 | CORD SET L 10500 CH | |
| 15 | 140 8011 200 | 1 | CORD SET L 10500 AU | |
| 15 | 140 8011 210 | 1 | CORD SET L 8500 JP | |
| 18 | 140 5058 500 | 1 | LOCK WASHER GD 930 | |
| NI | 140 8006 010 | 1 | CARTON GD 110 | BOX FOR RE-PACK |

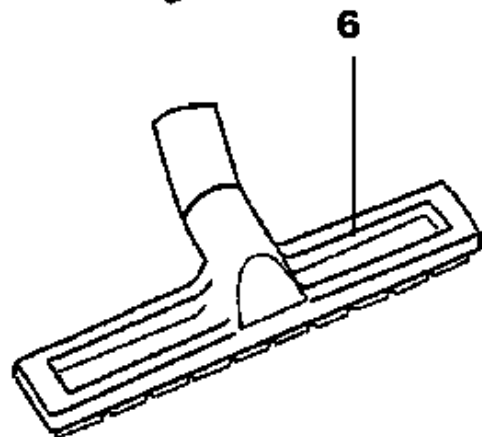
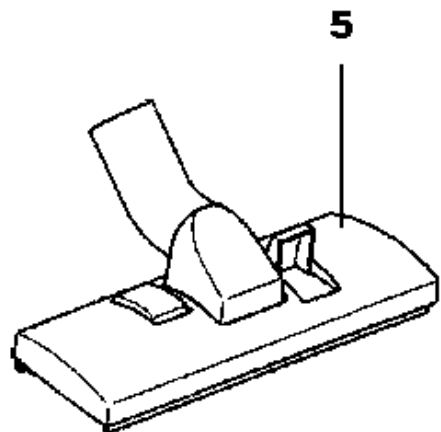
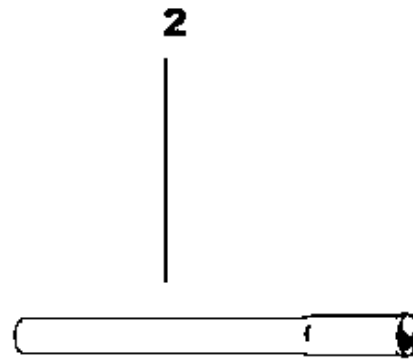
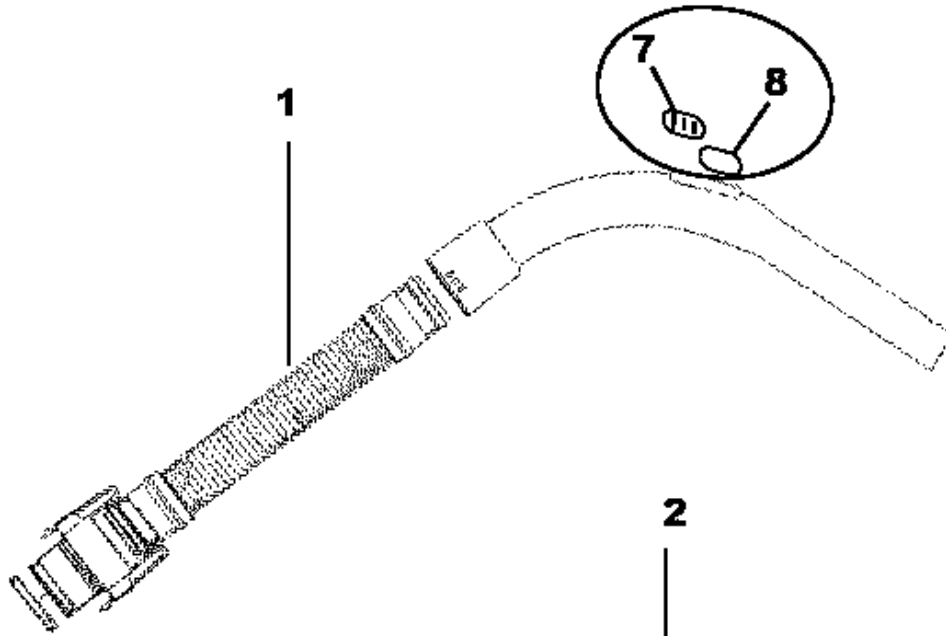
Accessories line drawing

GD 110

08-02-2015

Part List ID B3615

5



Accessories line drawing

GD 110

08-02-2015

Part List ID

B3615

6

| Pos | Part no. | Qty | Description |
|-----|--------------|-----|----------------------------|
| 1 | 140 7990 020 | 1 | HOSE CPL. 1.9M GD 110 ONLY |
| 2 | 011 6431 500 | 1 | EXTENSION TUBE ALUMINIUM |
| 2 | 140 8246 040 | 1 | EXTENSION TUBE STEEL D32 |
| 2 | 140 8246 050 | 1 | EXTENSION TUBE STEEL 450MM |
| 3 | 140 8012 500 | 1 | CREVICE NOZZLE D32 |
| 4 | 140 8244 500 | 1 | BRUSH NOZZLE D32 |
| 5 | 140 8003 000 | 1 | COMBI NOZZLE D 252 |
| 6 | 140 6700 540 | 1 | NOZZLE MULTI SURFACE 32 MM |
| 7 | 140 8058 000 | 1 | SUCTION CONTROL |
| 8 | 140 8060 000 | 1 | SEALING |

NILFISK MOP

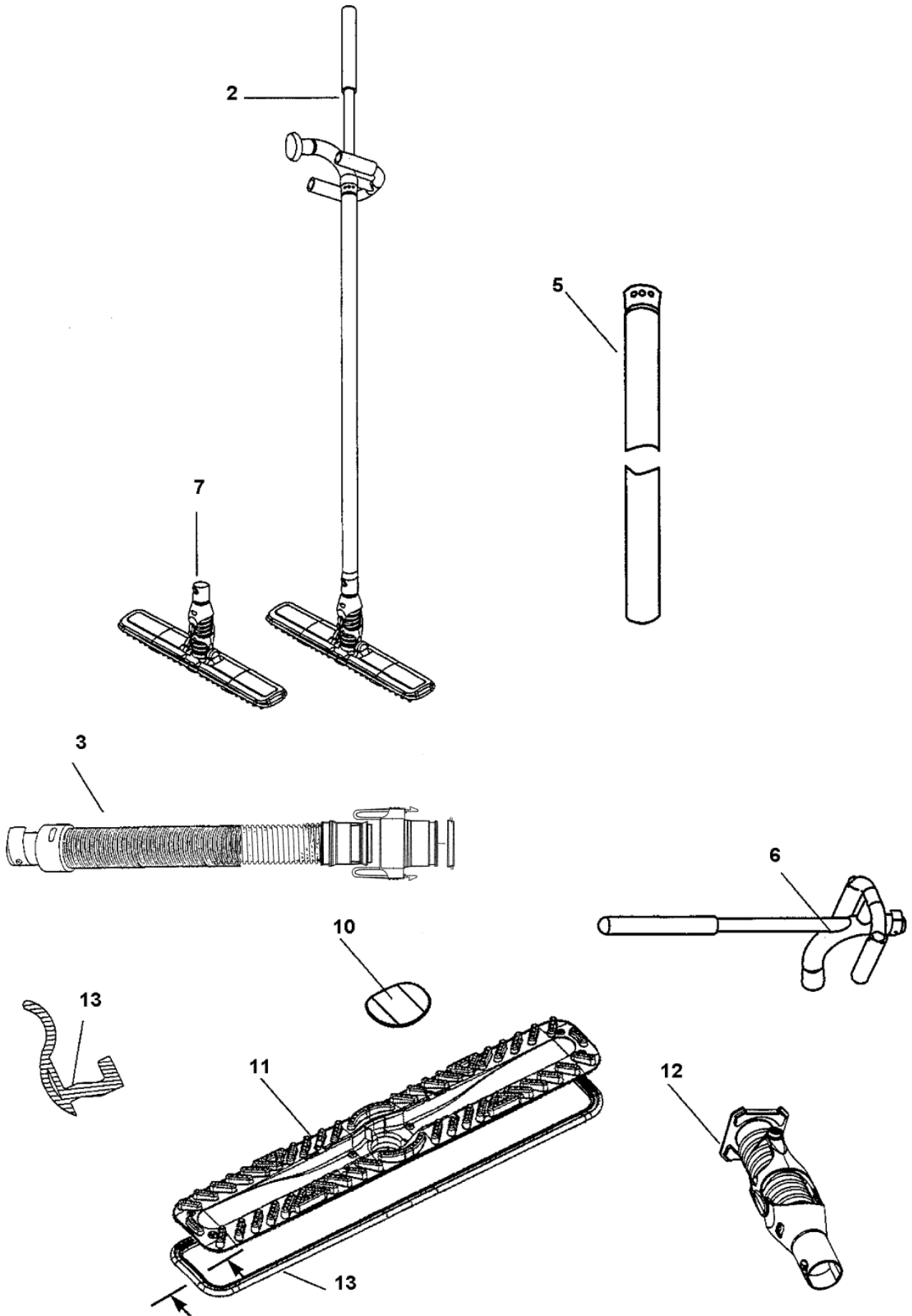
GD 110

08-02-2015

Part List ID

B3617

7



NILFISK MOP

GD 110

08-02-2015

Part List ID

B3617

8

| Pos | Part no. | Qty | Description |
|-----|--------------|-----|-------------------------------|
| 2 | 17830007 | 1 | MOP WITHOUT HOSE 1000 MM MED. |
| 3 | 140 7990 040 | 1 | HOSE CPL. L 3000 |
| 5 | 62188100 | 1 | TUBE LENGTH 800 MM |
| 5 | 62188300 | 1 | TUBE LENGTH 1180 MM |
| 6 | 62188400 | 1 | HANDLE |
| 7 | 22201800 | 1 | MOP NOZZLE |
| 11 | 22144600 | 1 | FOOT PLATE WITH FENDER |
| 12 | 22144300 | 1 | FLEXIBLE NECK |
| 13 | 22145500 | 1 | FENDER LIST |