

ENCORE S2426 / L2426

Model:
ENCORE 2426 L
ENCORE 2426 S



Part List US-English

25-02-2015

Table of Contents

ENCORE S2426 / L2426

Final assembly	3
Recovery tank	6
Solution tank	9
Rear panel	11
Control panel	14
Squeege lift	17
Squeegee	19
Frame axle	21
Brush head	23
Optional brake "S" model	26
Optional brake "L" model	28
Vacuum motor	30
Gear box	32
Brush motor	34
Transaxle	36

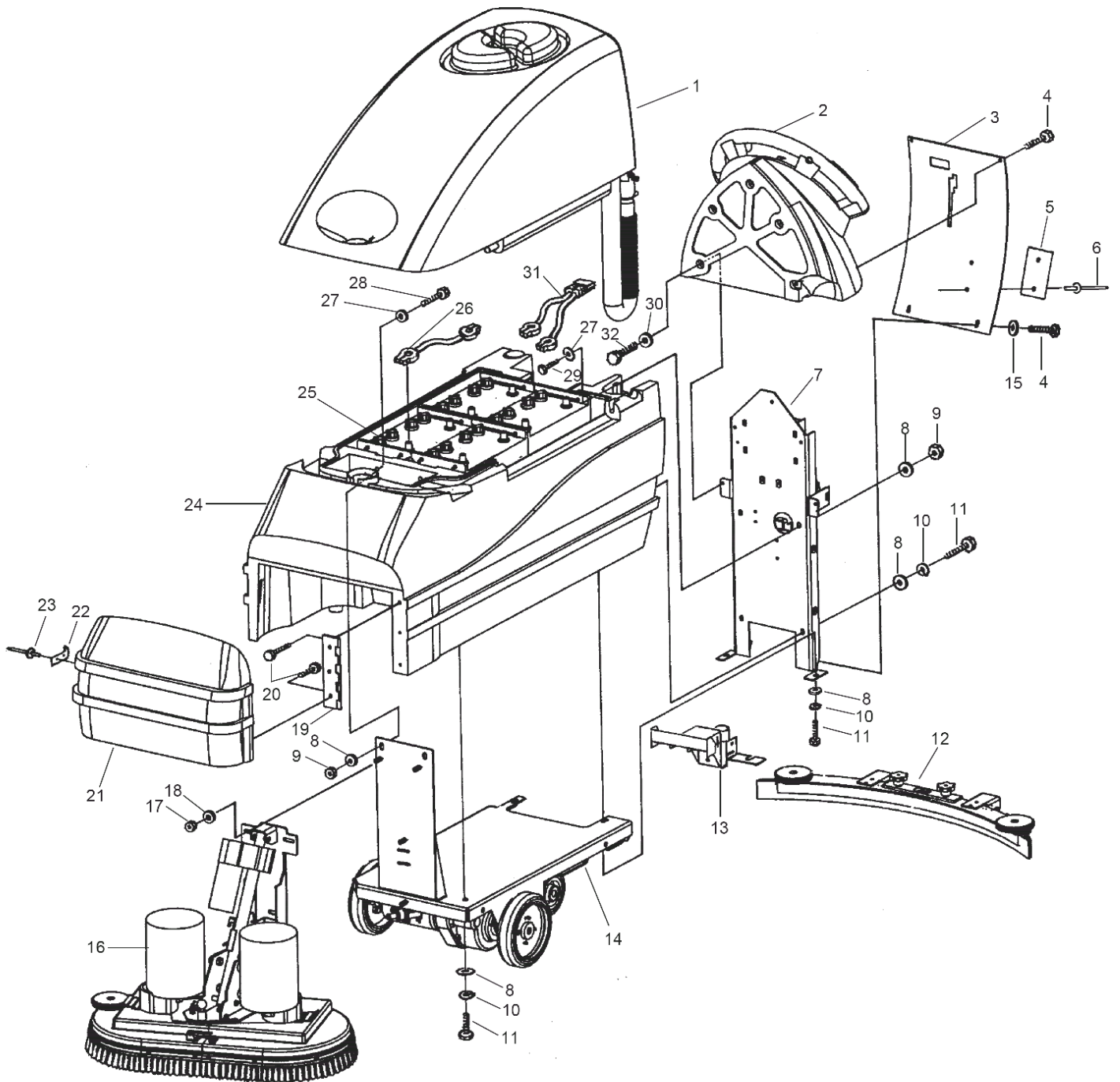
Final assembly

ENCORE S2426 / L2426

25-02-2015

Part List ID
ENCORE242602

3



Final assembly

ENCORE S2426 / L2426

25-02-2015

Part List ID
ENCORE242602

4

Pos	Part no.	Qty	Description	
1		1	USE LINK	ASSEMBLY, RECOVERY TANK
2		1	USE LINK	ASSEMBLY, CONTROL PANEL
3	30064A	1	COVER REAR ENCORE 2426	
4	80108A	4	SCREW 10 24 X 1/2	
5	70080A	1	PLATE WARNINGENCORE WO/BRAKE	
6	83010A	2	RIVET POP 1/8	
7		1	USE LINK	ASSEMBLY, REAR PANEL
8	980651	11	WASHER 5/16 SAE FLAT	
9	920110	4	NUT LK 5/16-18 REGPLTD	
10	980652	7	WASHER LK 5/16 REGPLTD	
11	85811A	7	BOLT 5/16-18 X 3/4 HX HD	
12		1	USE LINK	ASSEMBLY, SQUEEGEE 32
13		1	USE LINK	ASSEMBLY, SQUEEGEE LIFT
14		1	USE LINK	
15	980982	2	WASHER 10 SAE FLAT PLTD	
16		1	USE LINK	ASSEMBLY, BRUSH HEAD
17	81105A	4	NUT 3/8 16 ESNA TYPE SS	
18	87031A	4	WASHER FLAT 3/8 S.S.	
19	50965A	1	HINGE COVER ENCORE 2426	
20	85395A	6	SCREW 1/4 20 X 1/2 PAN HD SS	
21	30271A	1	COVER FRONT ENCORE 2426 ALTO	
22	50966A	1	LATCH FRONT COVER ENC 2426	
23	930090	2	POP RIVET 5/32X3/16-5/16	
24		1	USE LINK	ASSEMBLY, SOLUTION TANK
25	40136A	4	BATTERY 6 VOLT 242AH	(WET - STUD POST)
25	40137A	4	BATTERY 6V242AHDRYSTUD POST	(DRY - STUD POST)
25	7116015	4	BATT. 6V-285AH WET SEMI T MONOBLOC	(DRY - UT POST)
25	80565111	2	BATT.12V-150Ah WET semiT Monobloc	"S" (DRY - UT POST)
25	871334	2	BATTERY 200AH WET 12 VOLT	"S" (WET - UT POST)
25	891384	4	BATTERY 310 AMP WET	(WET - UT POST)
26	41206A	3	CABLE-SERIES BATTERY 16 2700	(TAPER STYLE)
26	41217A	3	CABLE BATTERY KIT 14662B	(RING STYLE)
27	980205	4	WASHER .312 ID/1.06 OD/.075THK	
28	85734A	2	SCREW 5/16-18 X 2 HX HD SS	
29	85739A	2	SCREW 5/16-18 X 3 HEX HD	
30	87026A	5	WASHER .250 FLAT SS	
31	40174A	1	CABLE 24VDC 42 BTY TO MACHINE	(RING STYLE)
31	41211A	1	CABLE ASM BATTERY VISION 26L	(TAPER STYLE)
32	85518A	5	SCR 1/4 20X 3/4 PN SY TC F	
NI	10072A	1	BRAKE KIT PARKINGENCORE L2426	"L"
NI	10073A	1	BRAKE ASMPARKING ENCORE S2426	"S"
NI	10132A	1	LITERATURE KIT ENCORE 2426	
NI	30070A	1	TOTE ACCESSORY ENCORE 2426	

Final assembly

ENCORE S2426 / L2426

25-02-2015

Part List ID
ENCORE242602

5

Pos	Part no.	Qty	Description
NI	38035A	1	DRIVER PAD 13 GIMBAL "L"
NI	38039A	1	DRIVER PAD 13 DUAL "S"
NI	56383075	1	CHARGER-BATT SCR 24V 25A
NI	70226A	1	LABELBTRY.INSTALLENCORE2426
NI	71014A	1	LABEL FALLING PARTS
NI	71015A	1	LABEL GASES CHEMICALS

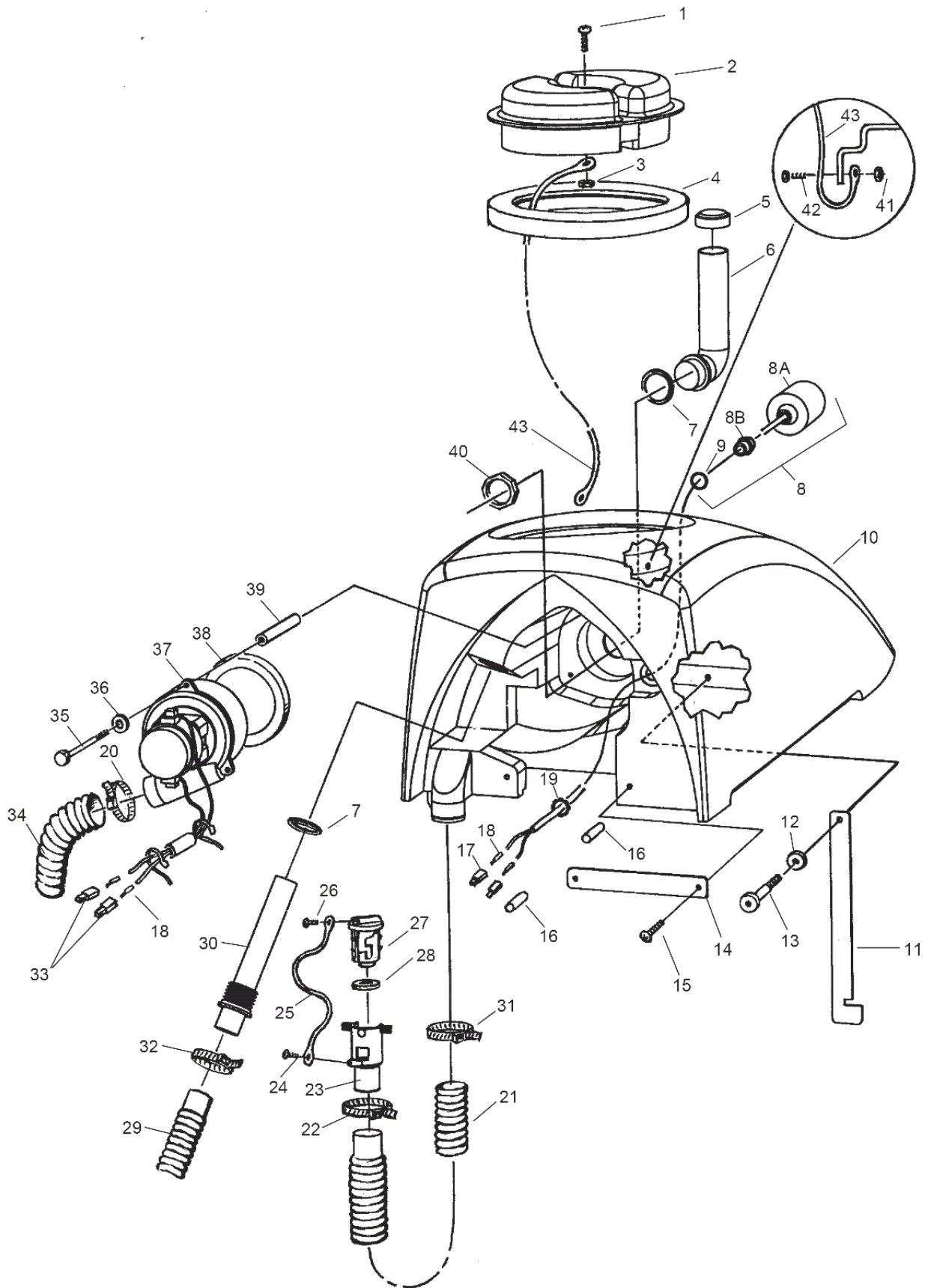
Recovery tank

ENCORE S2426 / L2426

25-02-2015

Part List ID
ENCORE242604

6



#40 Recommended Torque
175 + or - 5 inch pounds

Recovery tank

ENCORE S2426 / L2426

25-02-2015

Part List ID
ENCORE242604

7

Pos	Part no.	Qty	Description
1	962798	1	SCR 10 24X 1/2 PN SS
2	30057A	1	LID RECOVERY TANK
3	81110A	1	NUT HEX ELASTIC LOCK 10-24 S.S
4	30065B	1	GASKET VACUUM LID 32
5	58069A	1	SCREEN VAC FILTER ENCORE 20
6	39338B	1	TUBE STAND 1 1/2 SPT X 6.38
7	837304	2	O RING RETAINER PAPER BAG
8	10660A	1	FLOAT ASM KIT ENCORE 20 (INCLUDES 8A, 8B, 9)
9	59877A	1	WASHER 1/2 NPT SEALING
10	30220A	1	HANDLECONTROLL
11	60373A	1	SUPPORT REC.TANK ENCORE 2426
12	87622A	1	WASHER FLT .63X.32X.03 NYLON
13	80043A	1	BOLT SHOULDER 5/16 ZC
14	60336A	1	STRAPHOSE RETAINER ENC 2426
15	85100A	2	SCREW10-32X1/2 PAN HD SS XYL
16	30068A	2	PIN HINGE ENCORE 2426 (INCLUDED W/ ITEM 10)
17	43402A	2	HOUSING CONNECTOR BLUE VISION (INCLUDED IN 8A)
18	41809A	4	CONTACT CONNECTOR VISION 26/ (INCLUDED IN 8A)
19	82100A	1	LOCKNUT 1/2 CONDUIT
20	872010	1	CLAMP HOSE
21	35165A	1	HOSE-DRAINCF5-2700
22	832002	1	CLAMP NYLON HOSE
23	839401	1	VALVE-DRAIN
24	962958	1	SCREW 8-18 X 1/2 PN
25	52206A	1	CHAIN COVER AUTOSCRUBER
26	962987	1	SCR 10 24X 3/8 PN ST TYP23
27	833901	1	HANDLE-DRAIN VALVE
28	833407	1	GASKET-DRAIN
29	51060A	1	HOSE SQUEEGEE ENCORE 2426
30	830208	1	ADAPTOR ASM-HOSE
31	80110A	1	CLAMP HOSE ENCORE 2426
32	752020	1	CLAMP 450 SHAMPOOER VAC
33	43401A	2	HOUSING CONNECTOR BLK VISIO
34	674110	1	HOSE
35	85728A	3	SCREW 1/4-20 X 4 HEX HD AUTOSC
36	87026A	3	WASHER .250 FLAT SS
37	56372505	1	MOTOR VAC 24V
37	56412218	1	MOTOR VAC 24VDC
38	643418	1	GASKET
39	58533A	3	SPACER VAC MOTOR 3 STG. SUMMI
40	920797	1	NUT DRAIN VALVE LOCK 8131 935
41	962666	1	SCR 10 24X 3/4 PAN HEAD PHILL
42	920296	1	NUT 10-24 ELASTIC STOP

Recovery tank

ENCORE S2426 / L2426

25-02-2015

Part List ID
ENCORE242604

8

Pos	Part no.	Qty	Description
43	38020A	1	STRAP COVER ENCORE 28-38
8A	40002A	1	SWITCH FLOAT ELECTRICAL (INCLUDED IN ITEM 8)
8B	56459A	1	STRAIN RELIEF EXT-771 PBII (INCLUDED IN ITEM 8A)
NI	70226A	1	LABELBTRY.INSTALLENCORE2426
NI	839410	1	VALVE ASM-SOLUTION DRAIN (INCLUDES 23, 24, 25, 26, 27, 28)

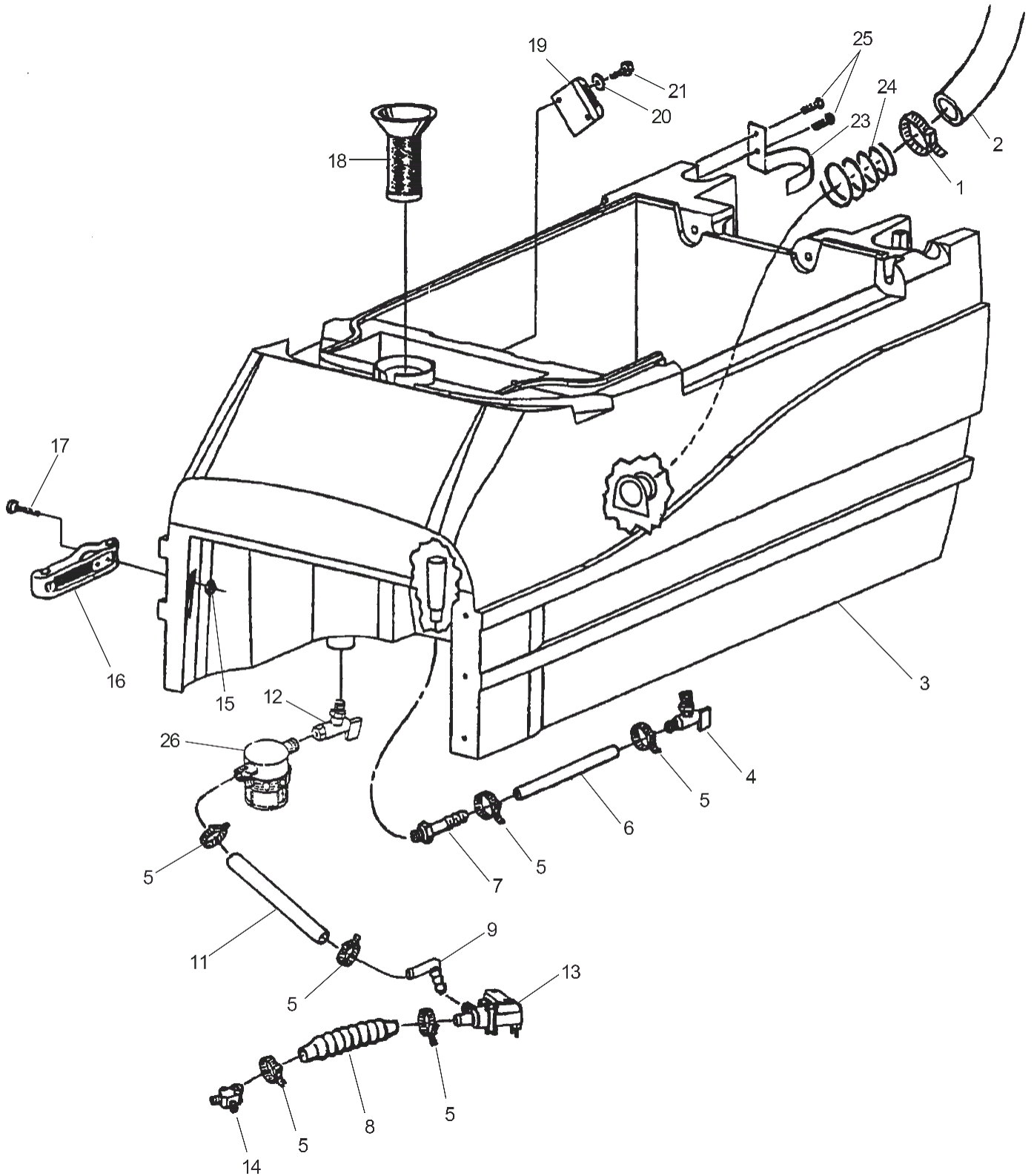
Solution tank

ENCORE S2426 / L2426

25-02-2015

Part List ID
ENCORE242606

9



Solution tank

ENCORE S2426 / L2426

25-02-2015

Part List ID
ENCORE242606

10

Pos	Part no.	Qty	Description	
-	53563A	1	FILTERSCREEN 20X20 S.S.	53562A COMPONENTS
-	53564A	1	FILTER UPPER BODY FOR 53562A	53562A COMPONENTS
-	54369A	1	GASKETVITON FOR 53050A	53562A COMPONENTS
1	872010	1	CLAMP HOSE	
2	50964A	1	HOSE SOLUTION LEVEL / DRAIN	
3	30269A	1	TANK SOL ENCORE 2426 ALTO	
4	59614A	1	VALVE BATTERY DRAINENCORE 33	
5	722030	6	CLAMP HOSE 6	
6	30453A	1	HOSE CLEAR VINYL ENCORE	
7	820207	1	ADAPTOR	
8	30412A	2	HOSE SOLUTION VISION	
9	51526A	1	HOSEBARB 3/8 X 90 DEG	
11	30446A	1	HOSE .375 I.D. X 8 LONG	
12	51204A	1	VALVE 3/8NPT MALE/FEMALE	
13	59789A	1	VALVE ELECTRIC KIT 14669A	
14	38014A	1	SPLITTER SOLUTION ENCORE	
15	81109A	1	NUT HEX ELASTIC LOCK SS 8-32	
16	50966A	1	LATCH FRONT COVER ENC 2426	
17	80105A	2	SCREW 8 32 X 1 1/4 SS PAN HD	
18	50963B	1	STRAINER SOLUTION FILL	(WITH HOSE RETENTION)
18	9097192000	1	FILTER WATER INLET	(WITHOUT HOSE RETENTION)
19	61713A	1	BRACKET TANK SUPPORT	
20	170892	2	WASHER LK 1/4 REGSS	
21	170915	2	SCREW 1/4-20 X 3/4 HX HDSS	
23	60480A	1	BRACKETDRAIN HOSE ENC 2426	
24	51346A	1	SPRINGDRAIN HOSE ENC 2426	
25	80108A	2	SCREW 10 24 X 1/2	
26	53562A	1	FILTER BOWL 3/8MNPT X 3/8 HOSE	
NI	10177A	1	FUNNEL SCREEN KIT ENCORE2426	
NI	30162A	1	FUNNELSOLUTION ENCORE 2426	(INCLUDED W/KIT 10177A)

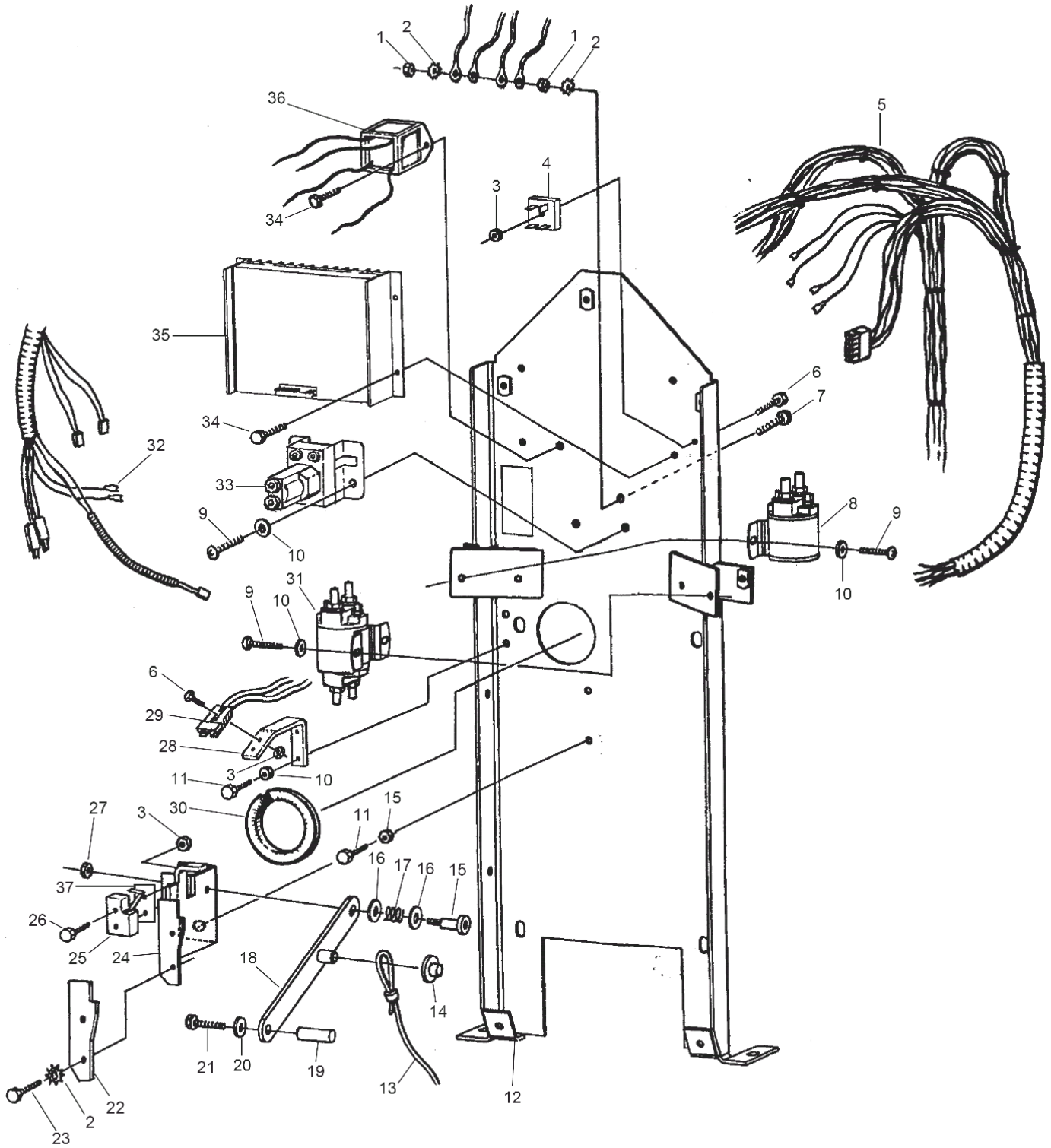
Rear panel

ENCORE S2426 / L2426

25-02-2015

Part List ID
ENCORE242608

11



Rear panel

ENCORE S2426 / L2426

25-02-2015

Part List ID
ENCORE242608

12

Pos	Part no.	Qty	Description	
1	920224	2	NUT-10X32 HEX	
2	980603	4	WASHER LK 10 EXT TOOTHPLTD	
3	920056	5	NUT-6X32 ELASTIC STOP	
4	46106A	1	RECTIFIER 2000E II	
5	40133A	1	HARNESS WIRE ENCORE L2426	"L"
5	40134A	1	HARNESS WIRE ENCORE S2426	"S"
6	962212	3	SCR 6 32X 7/8 PN ST	
7	85383A	1	SCREW 10-32 X 3/4 PAN HD	
8	56412179	1	CONTACTOR 24 VDC	
9	85395A	6	SCREW 1/4 20 X 1/2 PAN HD SS	
10	980614	10	WASHER LK 1/4 EXT TOOTHPLTD	
11	85391A	4	SCR 1/4 20X 5/8 PN SY	
12	60261A	1	PANEL WLDMT REAR ENCORE 2426	
13	60257A	1	CABLE SQUEEGEE LIFT ENCORE2426	
14	920346	1	PALNUT PW500015 TYPE W	
15	80028A	1	BOLT SHOULDER 5/16 X 1	
16	980692	2	WASHER 5/16 FLAT SS	
17	438360	1	SPRING-ADJUSTER LIFT	
18	64901A	1	HANDLE SQUEEGEE LIFT WLDMNT	
19	64490A	1	HANDLE SQUEEGEE LIFT VISION	
20	980666	1	WASHER 3/8 EXT. STAR	
21	85389A	1	SCR 3/8 16X 5/8 PN SY	
22	68643A	1	PLATE WEAR PNTDVISION 26/3	
23	962968	2	SCREW 10-24 X 1/2 PAN	
24	61260A	1	BRACKET WELDMENT SQUEEGEE PNT	
25	47388A	1	SWITCH ASM. VAC 26/32 VISION	
26	85601A	2	SCREW 6-32 X 1 1/4 PAN HEAD	
27	81217A	1	NUT 1/4 20 X .218H NYLOCK	
28	60264A	1	BRACKET BATTERY ENCORE 2426	
29	41146A	1	CABLE ASM CONSOLE VISION 26L	
30	193951	1	TRIM DOUBLE LIP-BLACK	
31	41811A	1	CONTACTOR 24 VDC 26 L	"L"
31	56412179	1	CONTACTOR 24 VDC	"S"
32	40157A	1	HARNESS WIRE TRAV ENCORE 2426	
33	40169A	1	SOLENOID 24VDC SPNO 100A	
34	962798	4	SCR 10 24X 1/2 PN SS	
35	40132D	1	CONTROL TRAVERSE ENCORE MID-SI	"L"
36	14097A	1	LOW VOLTAGE CUT OFF KIT 24 V	"S"
37	30097A	1	INSULATORMYLAR	
NI	40519A	1	TERMINAL RING 5/16 X 10-12	"S"
NI	44809b	1	MOTOR BRUSH 3/4HP 24VDC N SLOT	"S"
NI	71014A	1	LABEL FALLING PARTS	
NI	71015A	1	LABEL GASES CHEMICALS	

Rear panel

ENCORE S2426 / L2426

25-02-2015

Part List ID
ENCORE242608

13

Pos	Part no.	Qty	Description	
NI	911933	1	TERMINALRING- 10 16-14 GAUGE	"S"

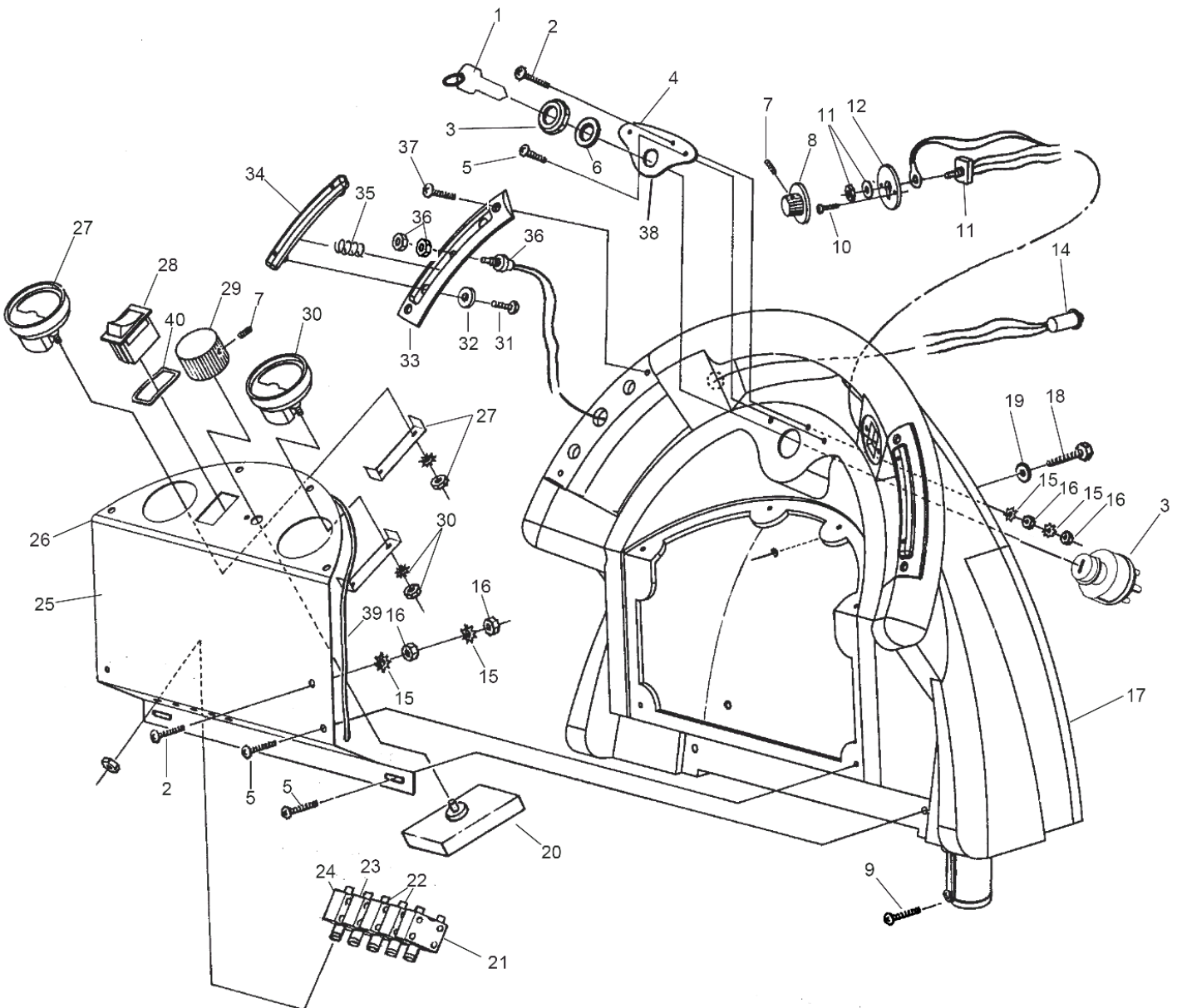
Control panel

ENCORE S2426 / L2426

25-02-2015

Part List ID
ENCORE242610

14



Control panel

ENCORE S2426 / L2426

25-02-2015

Part List ID
ENCORE242610

15

Pos	Part no.	Qty	Description	
1	55413A	1	KEY 26/32 VISIONFOR 47380A S	(INCLUDED WITEM 3)
2	84237A	2	SCREW 10-32 X 1/2 PAN HD SS	
3	47380A	1	SWITCH KEY 32DLX/STD	
4	60334A	1	PANEL KEY SWITCH ENCORE 2426	
5	80108A	8	SCREW 10 24 X 1/2	
6	87052A	1	WASHER FLT 1.25X1.00X.020NYLON	
7	962262	4	SCREW 8-32 X 1/4 ST CUPPT	(INCLUDED IN ITEM 29)
8	50962A	1	KNOB CONTROL ENCORE 2426	"L"
9	85703A	1	SCR 3/8 16X1 1/2 HX ST CAP	
10	962957	2	SCREW 10 16 X 1/2 HI LO	"L"
11	40135A	1	HARNESS WIRE POTENCORE 2426	"L"
12	60259A	1	RETAINER 5K POTENTIOMETER	"L"
13	980666	1	WASHER 3/8 EXT. STAR	"L"
14	40158A	1	SWITCH PUSH BUTTON SPDT	"L"
15	980603	4	WASHER LK 10 EXT TOOTHPLTD	
16	920224	4	NUT-10X32 HEX	
17	30062A	1	HANDLE CONTROL L ENCORE 2426	"L"
17	30072A	1	HANDLE CONTROL S ENCORE 2426	"S"
18	85391A	1	SCR 1/4 20X 5/8 PN SY	
19	87026A	1	WASHER .250 FLAT SS	
20	44308B	1	MODULATOR SOL.FLOWENCORE2426	
21	41422B	1	BREAKER CIRCUIT 25A SCR.90 DEG	CIRCUIT 25 AMP TRAVERSE
22	41433B	2	BREAKER CIRCUIT 40A SCR.90 DEG	CIRCUIT 40 AMP BRUSH
23	41448B	1	BREAKER CIRCUIT 30A SCR.90 DEG	CIRCUIT 30 AMP VAC
24	41423B	1	BREAKER CIRCUIT 5A QD .25 STR	CIRCUIT 5 AMP ACTUATOR
25	70648A	1	LABEL CONTROL PANEL ENC S2426	"S"
25	70649A	1	LABELCONTROL PANEL ENC L2426	"L"
26	60258A	1	PANEL CONTROL ENCORE 2426	
27	40217B	1	METER VOLT 24V ROUND WATERSHED	
28	40168b	1	SWITCH ROCKER DPDT WATERSHED	
29	55502A	1	KNOB-SPEED CONTROL+TEMP CONTRL	
30	51057A	1	METER BRUSH ENCORE 2426	
31	962330	4	SCREW 6-32 X 3/8 PAN HD	
32	980608	4	WASHER FLT 6 PLAIN	
33	11131A	2	CONTROL ASSEMBLY HANDLE SWITCH	
34	11131A	2	CONTROL ASSEMBLY HANDLE SWITCH	
35	50961A	4	SPRING SWITCH ENCORE 2426	
36	40126A	2	SWITCH HANDLE CONTROL ENC 2426	
37	80104A	4	SCREW 10 32 X 1/2 OVAL HEAD	
38	70219A	1	LABELKEY SWITCH ENCORE 2426	
39	34264A	1	GASKET 32 DLX	
40	30096A	1	GASKETSWITCH FITS 40168A	
NI	41069B	1	RELAY -24VDC MINI ISO	

Control panel

ENCORE S2426 / L2426

25-02-2015

Part List ID
ENCORE242610

16

Pos	Part no.	Qty	Description
NI	47708A	4	TERMINAL 1/4 FIMQD 22-18 GA.
NI	912226	1	METER HOUR 12V DC

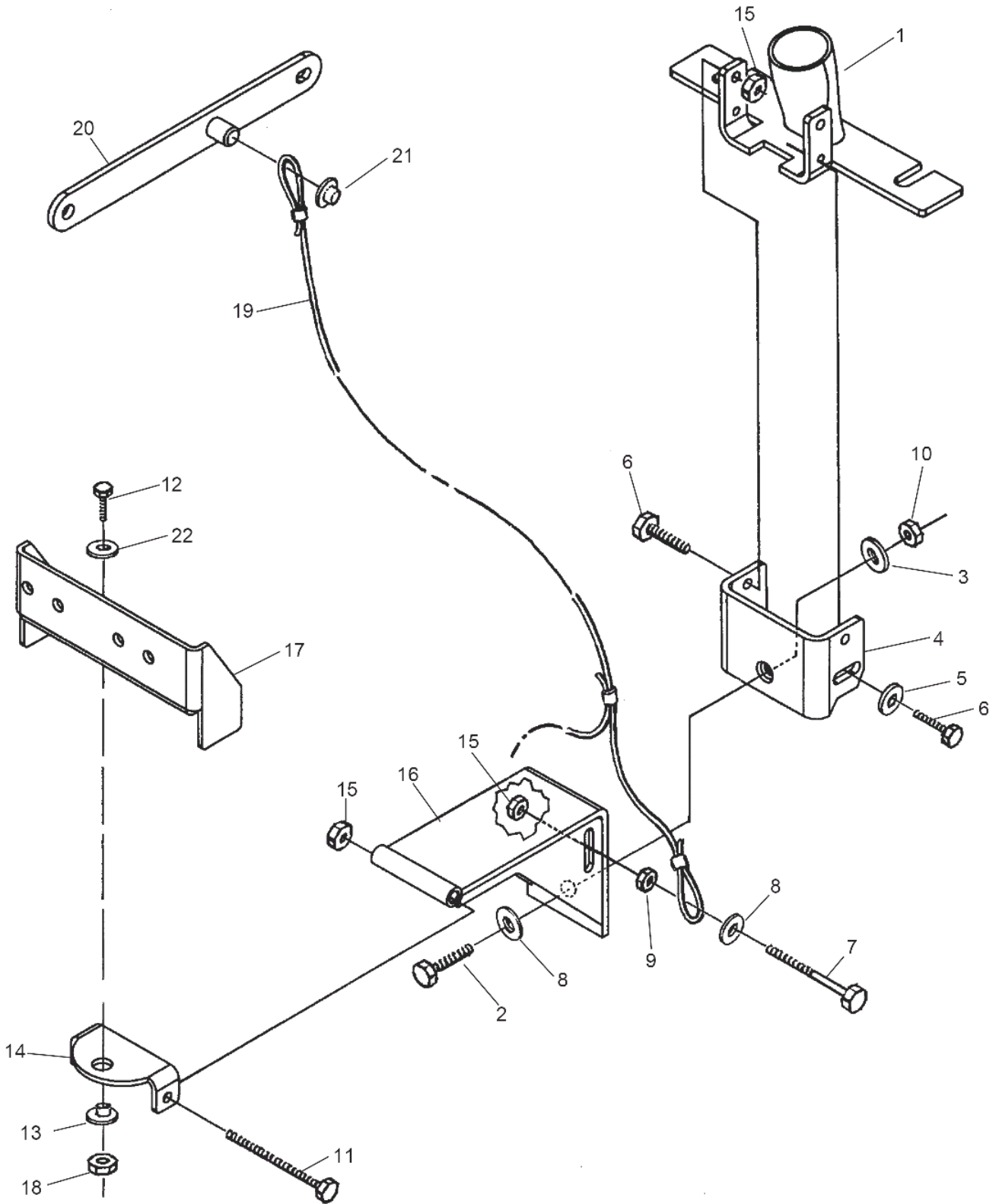
Squeegee lift

ENCORE S2426 / L2426

25-02-2015

Part List ID
ENCORE242612

17



Squeege lift

ENCORE S2426 / L2426

25-02-2015

Part List ID
ENCORE242612

18

Pos	Part no.	Qty	Description
1	61263A	1	TUBE BRKT. WLDT ENCORE 20
2	85730A	1	SCREW 3/8 -16X1 1/4 HEX HD. SS
3	980638	1	LOCKWASHER 3/8 LT SPRING TYPE
4	69860B	1	BRACKET PIN WLDMT. ENCORE 20
5	87026A	2	WASHER .250 FLAT SS
6	170915	4	SCREW 1/4-20 X 3/4 HX HDSS
7	962481	2	SCR 1/4-20 X 1-1/4 HEX ST CAP
8	87031A	3	WASHER FLAT 3/8 S.S.
9	920208	2	NUT HEX 1/4-20PLTD
10	81111A	1	NUT HEX ELASTIC LOCK 3/8 16
11	80101A	1	SCREW 1/4 20 X 3 1/4 HEX HEAD
12	85811A	1	BOLT 5/16-18 X 3/4 HX HD
13	67867A	1	SPACER SQUEEGEE SWIVEL 1700 I
14	60256A	1	BRACKET PIVOT ENCORE 2426
15	81104A	5	NUT 1/4 20 ESNA TYPE SS
16	60255A	1	ARM WLDMT SQU PIV ENC 2426
17	60328A	1	MOUNT SQUEEGEE ENCORE 2426
18	81112A	1	NUT 5/16-18 THIN ESNA S.S.
19		1	NOTE COMMENT CABLE, SQUEEGEE LIFT
20		1	NOTE COMMENT LIFT HANDLE ASSEMBLY
21	920346	1	PALNUT PW500015 TYPE W
22	980651	1	WASHER 5/16 SAE FLAT

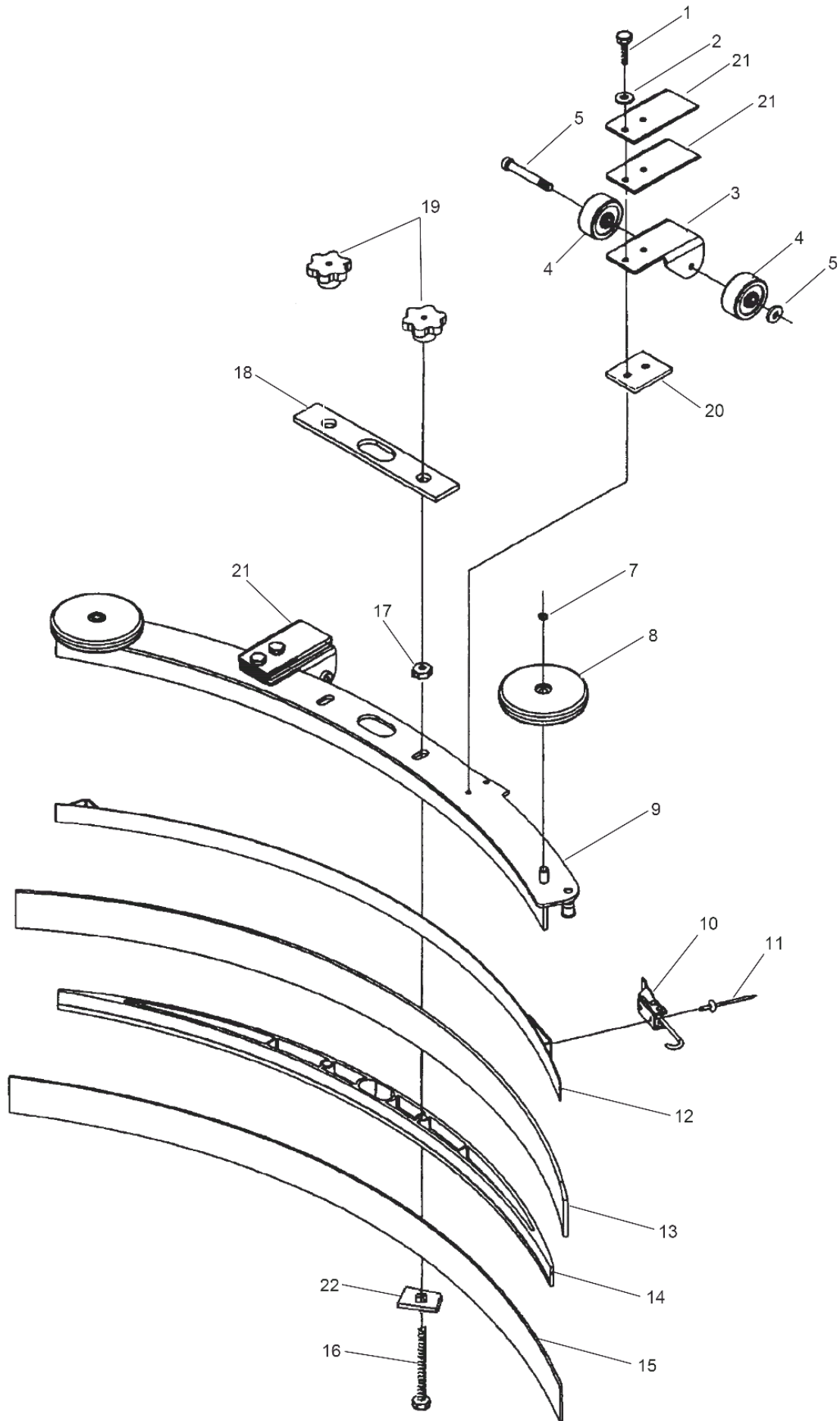
Squeegee

ENCORE S2426 / L2426

25-02-2015

Part List ID
ENCORE242614

19



Squeegee

ENCORE S2426 / L2426

25-02-2015

Part List ID
ENCORE242614

20

Pos	Part no.	Qty	Description	
1	80252A	4	SCREW 1/4-20 X 1 HH SS	32"
1	80253A	4	SCR 1/4-20 X 1 1/2 HEX HD SS	39"
2	980657	4	WASHER LOCK 1/4 STD	
3	60243A	2	BRACKETSQUEEGEE WHEEL ENC2426	
4	30049B	4	WHEEL 1X2X5/16 PERFORMA TREAD	
5	81104A	2	NUT 1/4 20 ESNA TYPE SS	
6	60254A	2	BOLT SHOULDER 5/16X2 1/4	
7	50958A	2	RING SNAP 3/8 I.D. YEL ZINC	
8	30048A	2	GUIDE WHEEL ENCORE 2426	
9	60234b	1	SQUEEGEE WLDMT 32 ENCORE 2426	32"
9	60272b	1	SQUEEGEE WLDMT 39 ENCORE 2426	39"
10	50835A	1	LATCH SQUEEGEE DRAWENC 2426	
11	930086	2	RIVET 3/16X.450 LG	
12	60232A	1	STRAP 32 SQUEEGEE CLAMP2426	32"
12	60252A	1	SQUEE WLDMT CLAMP 39 ENC2426	39"
13	30067A	1	BLADE OUTER SQUEEENCORE 2426	32"
13	30069A	1	BLADE OUTER SQUE 39 ENC 2426	39"
13	30085A	1	BLADEREAR RIBBED ORG 32	32"
14	30047A	1	SPACER SQUEEGEE 32 ENC 2426	32"
14	30058A	1	SPACER SQUEEGEE 39 ENC 2426	39"
15	30066A	1	BLADE SQUEEGEE ENCORE 2426	32"
15	30079A	1	BLADEFRONT SLIT 32 ENC 2426	32"
15	30083A	1	BLADEFRONTRIBBEDORG 32	32"
15	30091A	1	BLADE SQ RIBBED 40 DUR 39 2426	39"
16	80011A	2	SCR 3/8 -16X3 CR SS	
17	81301A	2	NUT 3/8 16 JAM SS	
18	34260B	1	GASKET SQUEEGEE VISION 26/32	
19	25201B	2	KNOB CLAMPING	
20	60358A	2	SHIMWHEELSQUEEGEE ENCORE2426	
21	61370A	8	WEIGHT SQUEEGEE ENCORE S	
22	80280A	2	NUT SQUEEGEE BACKUP	

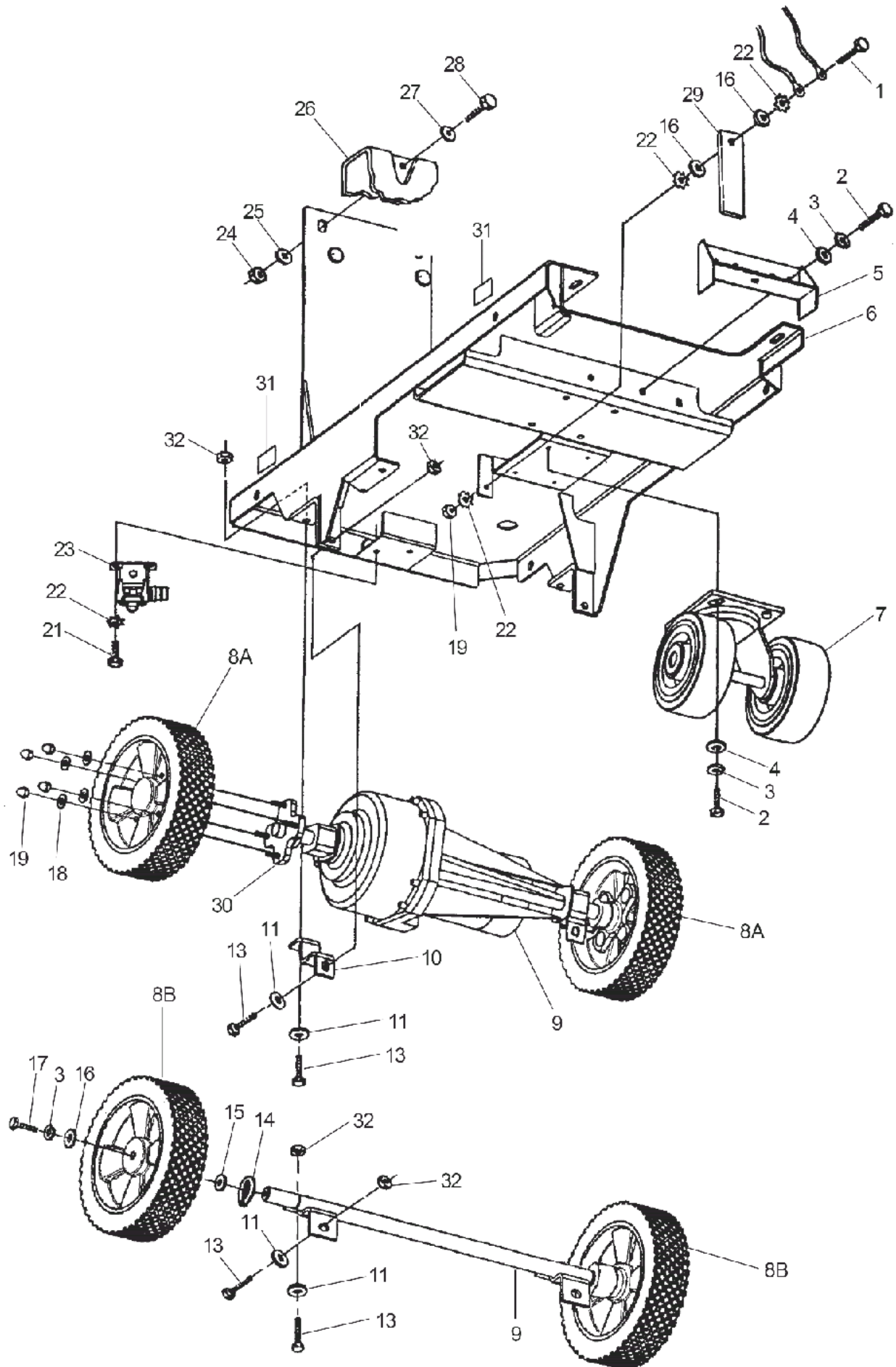
Frame axle

ENCORE S2426 / L2426

25-02-2015

Part List ID
ENCORE242616

21



Frame axle

ENCORE S2426 / L2426

25-02-2015

Part List ID
ENCORE242616

22

Pos	Part no.	Qty	Description	
1	85700A	1	SCR 1/4 -20X1 HX ST CAP	TRAVERSE
2	85811A	6	BOLT 5/16-18 X 3/4 HX HD	
3	980652	6	WASHER LK 5/16 REGPLTD	
4	980651	6	WASHER 5/16 SAE FLAT	
5	60328A	1	MOUNT SQUEEGEE ENCORE 2426	
6	60260B	1	FRAME WLDMT MAIN ENC 2426	
7	50968A	1	CASTER DUAL ENCORE 2426	
9	50967A	1	TRANSAXLE ENCORE 2426	
9	60266A	1	AXLE WLDMTNON-TRAVERSE	NON-TRAVERSE
10	60289A	2	CLAMP TRANSAXLE ENCORE 2426	
11	87031A	4	WASHER FLAT 3/8 S.S.	
12	170883	4	WASHER LK 3/8 REGPLTD	
13	80103A	4	SCREW 3/8-24 X 1 HEX HEAD	
14	57423A	14	RING RETAINING .75 SHAFT ENC20	NON-TRAVERSE
15	87616A	15	WASHER FLT 1.00X.75X.06 NYLON	NON-TRAVERSE
16	980205	2	WASHER .312 ID/1.06 OD/.075THK	
17	962620	17	SCR 5/16-24 X 3/4 HEX ST CAP	NON-TRAVERSE
18	87026A	8	WASHER .250 FLAT SS	
19	81104A	9	NUT 1/4 20 ESNA TYPE SS	
21	85395A	2	SCREW 1/4 20 X 1/2 PAN HD SS	
22	980614	5	WASHER LK 1/4 EXT TOOTHPLTD	
23	59789A	1	VALVE ELECTRIC KIT 14669A	
24	81105A	1	NUT 3/8 16 ESNA TYPE SS	
25	87031A	1	WASHER FLAT 3/8 S.S.	
26		1	NOTE COMMENT	Solution tank
27	980205	1	WASHER .312 ID/1.06 OD/.075THK	
28	85734A	1	SCREW 5/16-18 X 2 HX HD SS	
29	69639A	1	STATIC STRAP FUSION	TRAVERSE
30	10135A	1	FLANGE WHEEL KITENCORE 2426	* SEE NOTE
31	77267A	4	LABEL TIE DOWN FUSION	
32	81108A	4	NUTHEX ELASTIC LOCK3/8-24	
8A	61437A	2	WHEEL TRAVERSE ENCORE 17	TRAVERSE
8B	61436B	2	WHEEL NON-TRAVERSE 8	NON-TRAVERSE

POS NO 30 *CONTAINS 1 FLANGE (HUB), 2 SNAP RINGS, AND 2 RETAINING KEYS.

Brush head

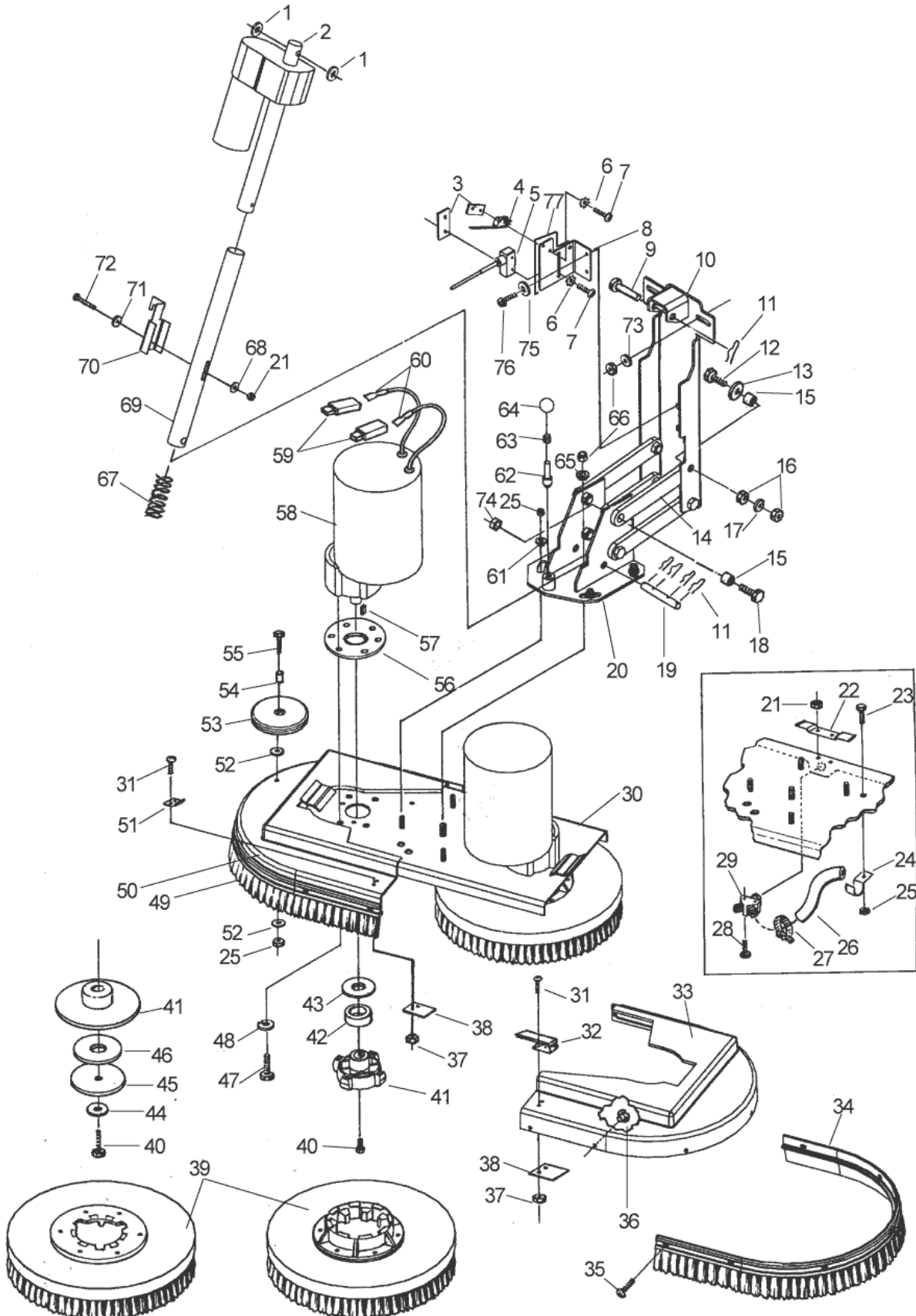
ENCORE S2426 / L2426

25-02-2015

Part List ID
ENCORE242618

23

Drawing #10071A and 10061A



Brush head

ENCORE S2426 / L2426

25-02-2015

Part List ID
ENCORE242618

24

Pos	Part no.	Qty	Description
1	38708A	1	SPACER 1.12ODX.63IDX.30THK
2	50950B	1	ACTUATOR 24V DC ENCORE 2426
3	60265A	1	PLATE SWITCH NUT ENCORE 2426
4	47374A	1	SWITCH STRAIGHT LEVER 2400/32
5	47422C	1	SWITCH SPRING ROD SPDT
6	980608	1	WASHER FLT 6 PLAIN
7	962980	1	SCR 6-32X1 PN ST MACH
8	60251A	1	MOUNT SWITCH ENCORE 2426
9	82501A	1	PIN CLEVIS 3200 STD SII
10	60236B	1	MOUNT ACTUATOR WELDMENT
11	766780	1	PIN-HANDLE LOCK
12	85838A	1	SCREW .500 20 X 1.50 HC ZC
13	980673	1	WASHER FLT 1/2 ID X 7/8 OD
14	63058A	1	BAR LINKAGE VISION 26L
15	67705B	1	BEARING SLEEVE 32 AUTO
16	920278	1	NUT 1/2-20 JAM SS
17	980626	1	LOCKWASHER LIGHT SERIES 1/2
18	80100A	1	SCREW HEX HD 1/2-20 1 LONG
19	80091A	1	PIN BRUSH LIFT ENCORE 2426
20	60239A	1	BRKT WLDMTLIFT BRUSH ENC 2426
21	81217A	1	NUT 1/4 20 X .218H NYLOCK
22	60335A	1	BRACKET BRUSH HSG ENCORE2426
23	170915	1	SCREW 1/4-20 X 3/4 HX HDSS
24	782002	1	CLAMP-MANIFOLD RM-10
25	81104A	1	NUT 1/4 20 ESNA TYPE SS
26	34705A	1	HOSE BRUSH VISION 26L
27	722030	1	CLAMP HOSE 6
28	962989	1	SCR 1/4 20X1 1/2 PN ST
29	38014A	1	SPLITTER SOLUTION ENCORE
30	60235A	1	PLATE WLDMT BRUSH ENCORE 2426
31	962992	1	SCR 8 32X 5/8 PN ST
32	55721A	1	LATCH BRSH.HSG. ENCORE 28-38
33	30053A	1	HOUSING BRUSH L.H ENC 2426
34	30051A	1	SKIRT BRUSH HSG LH ENC 2426
35	85616A	1	SCREW 10 32 X 5/8 PAN HD SS
36	82004A	1	NUT TEE 10-32 PLTD
37	81109A	1	NUT HEX ELASTIC LOCK SS 8-32
38	60337A	1	PLATE LATCH BRUSHENCORE 2426
40	85811A	1	BOLT 5/16-18 X 3/4 HX HD
40	962714	1	SCR 5/16 18X 3/4 SC ST NYLOK
41	20308A	1	ADAPTOR MOTOR 1700 VDE
41	34400B	1	GIMBAL MOTOR 2000/2400 LEADERS
42	61658A	1	COLLAR BRUSH DRIVER 26/32 VIS

Brush head

ENCORE S2426 / L2426

25-02-2015

Part List ID
ENCORE242618

25

Pos	Part no.	Qty	Description
43	59856A	1	WASHER FLAT RUBBER 3/4 X 2 1/4
44	980652	1	WASHER LK 5/16 REGPLTD
45	980210	1	WASHER - IMPELLER
46	980679	1	WASHER 3/4 SAE FLAT PLTD
47	962244	1	BOLT 3/8 16 X HHCS
48	980638	1	LOCKWASHER 3/8 LT SPRING TYPE
49	30052A	1	SKIRT BRUSH HSG RH ENC 2426
50	30258A	1	BRUSH HSG RH ENCORE 2426
51	55451A	1	KEEPER BRSH.HSG.ENCORE 28-38
52	87039A	1	WASHER FENDER 1/4 S.S.
53	30048A	1	GUIDE WHEEL ENCORE 2426
54	60248A	1	SLEEVE GUIDE WHEEL ENC 2426
55	85301A	1	SCR 1/4 20X1 1/4 PN SS MACH
56	20014A	1	SHIM MOTOR PLATE ENCORE 2426
57	915102	1	KEY 1/4X1/4X31/32 SQ
58	44809B	1	MOTOR BRUSH 3/4HP 24VDC N SLOT
59	40645A	1	CONNECTOR HOUSING PP75 BLACK
60	41601A	1	CONNECTOR-CONTACT
61	60240A	1	BUSHING SLIDEBRUSH HSG
62	50839A	1	PLUNGERBRUSH HSG ENCORE 2426
63	50956A	1	SPRING PLUNGER ENCORE 2426
64	50957A	1	KNOB PLUNGER ENCORE 2426
65	60241A	1	BUSHINGPIVOTBRUSH HSG ENC 24
66	81105A	1	NUT 3/8 16 ESNA TYPE SS
67	53421A	1	SPRING HEAD PRESSURE ENCORE
67	53422A	1	SPRING HEAD PRESSURE ENCORE
68	87007A	1	WASHER-CONTROL SHAFT ECCENTRIC
69	60238A	1	TUBE PRESSURE ENCORE 2426
70	60249A	1	ACTUATOR SWITCH ENCORE 2426
71	80102A	1	WASHER 1/4 WAVE STEEL
72	85702A	1	SCR 1/4 20X1 3/4 HX ST CAP
73	87031A	1	WASHER FLAT 3/8 S.S.
74	80109A	1	NUT1/2-20 THN JAM SS NYL LCK
75	980603	1	WASHER LK 10 EXT TOOTHPLTD
76	80108A	1	SCREW 10 24 X 1/2
77	30092A	1	INSULATOR MYLAR ENCORE 2426
NI	71017A	1	LABEL MOVING PARTS

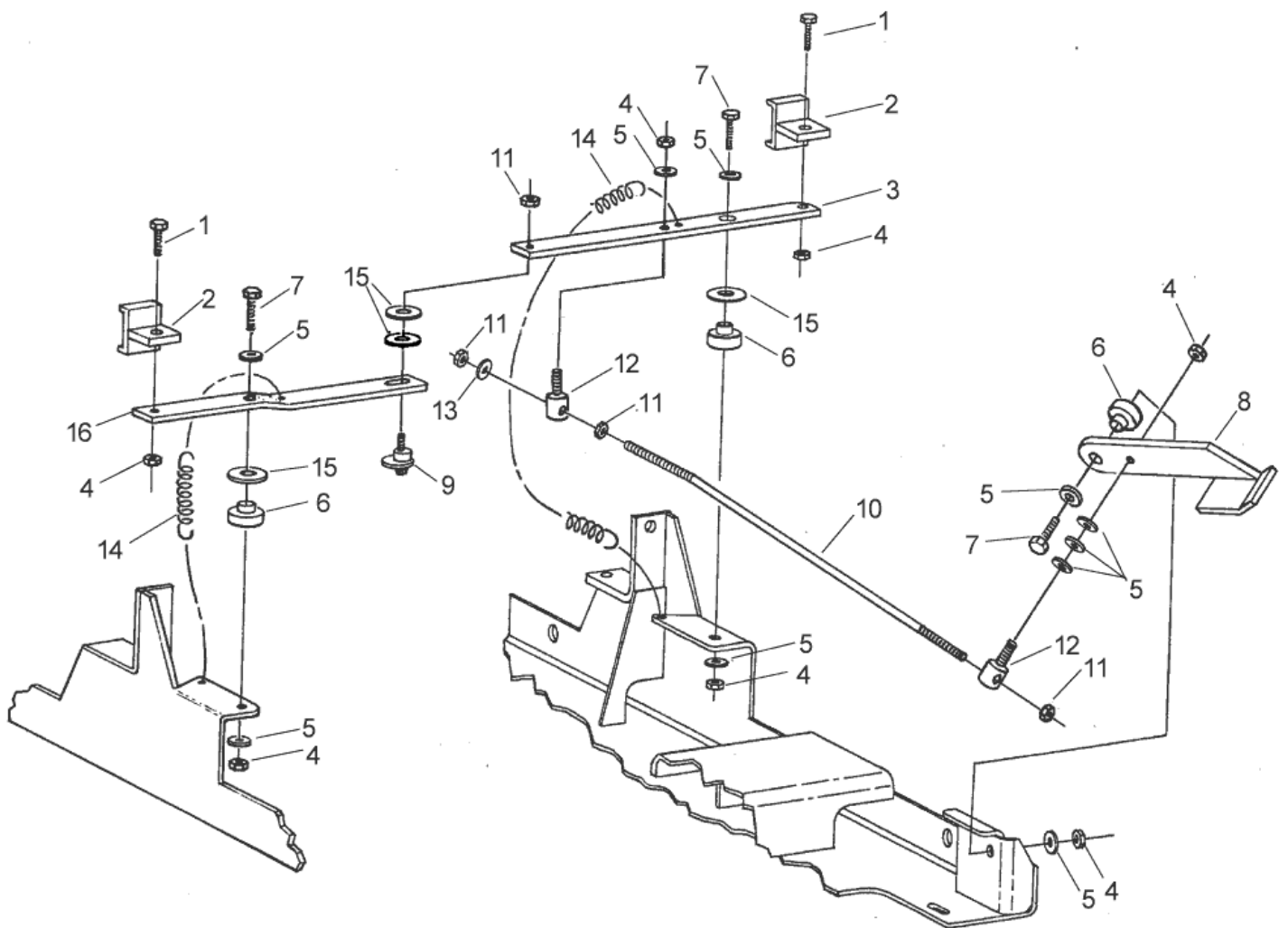
Optional brake "S" model

ENCORE S2426 / L2426

25-02-2015

Part List ID
ENCORE242620

26



Optional brake "S" model

ENCORE S2426 / L2426

25-02-2015

Part List ID
ENCORE242620

27

Pos	Part no.	Qty	Description
1	85811A	1	BOLT 5/16-18 X 3/4 HX HD
2	60359A	1	PADWLDMT BRAKE ENC 2426 P
3	60271A	1	ARMBRAKE ENCORE 2426
4	920110	1	NUT LK 5/16-18 REGPLTD
5	980651	1	WASHER 5/16 SAE FLAT
6	67877A	1	SPACERBRAKE 32DLX/26DLX
7	85814A	1	SCREW 5/16-18 X 1 1/4 HX HD
8	60268A	1	BRAKEWLDMT ENCORE 2426
9	60361A	1	CAM BRAKE ASM ENC 2426
10	60267A	1	ROD BRAKE ADJ ENCORE 2426
11	81104A	1	NUT 1/4 20 ESNA TYPE SS
12	848508	1	SWIVEL-BRAKE ROD
13	87026A	1	WASHER .250 FLAT SS
14	50969A	1	SPRING BRAKE ENCORE 2426
15	87607A	1	WASHER FLT 1.25X.52X.06 NYLON
16	60362A	1	BRAKE BAR R.H. ENCORE 2426
17	85811A	1	BOLT 5/16-18 X 3/4 HX HD
18	60359A	1	PADWLDMT BRAKE ENC 2426 P

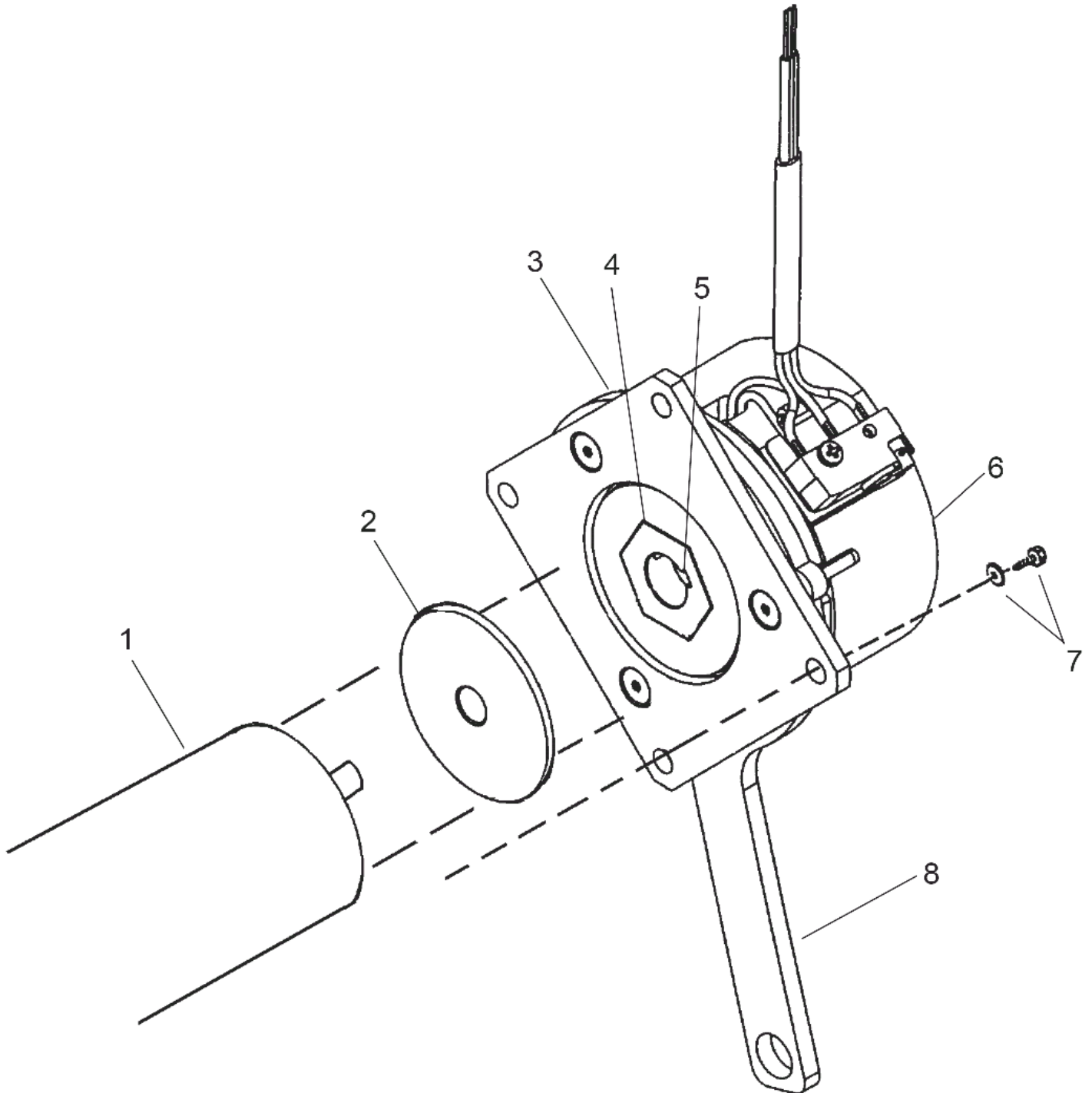
Optional brake "L" model

ENCORE S2426 / L2426

25-02-2015

Part List ID
ENCORE242622

28



Optional brake "L" model

ENCORE S2426 / L2426

25-02-2015

Part List ID
ENCORE2426ZZ

29

Pos	Part no.	Qty	Description
1	50981A	1	MOTOR TRANSAXLE P/N 50967A
2	60388A	1	SPACER STAND OFF FOR 10160A
3	30095A	1	TIECOVER RETAINER FOR 10160A
4	80123A	1	NUTBRAKE DRIVE FOR 10160A
5	80125A	1	KEYSQ3/32X1/4LG FOR 10160A
7	80124A	2	SCREWSET FOR BRAKE NUT 80123A
8	10160A	1	BRAKE ASM. 24VDC FOR 50967A

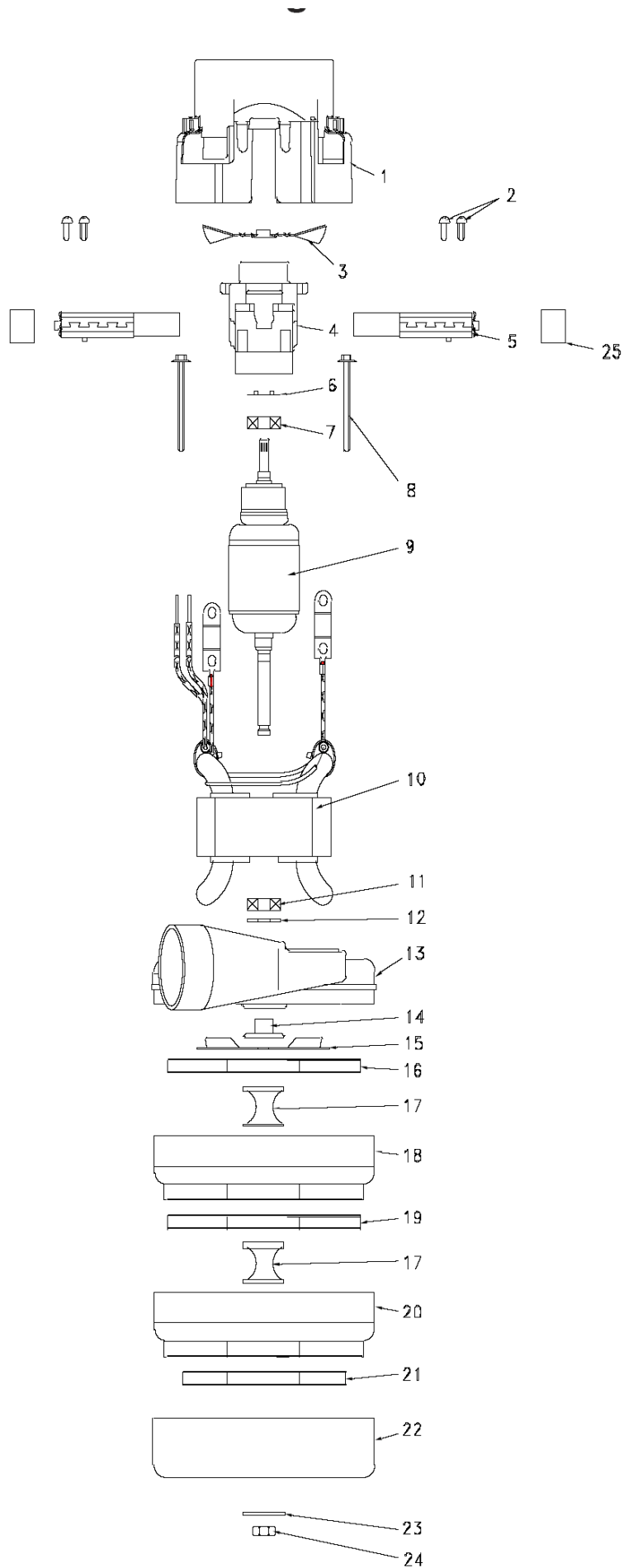
Vacuum motor

ENCORE S2426 / L2426

25-02-2015

Part List ID
ENCORE242624

30



Vacuum motor

ENCORE S2426 / L2426

25-02-2015

Part List ID
ENCORE242624

31

Pos	Part no.	Qty	Description
1	50994A	1	HOUSING VAC MOTOR
2		4	NOTE COMMENT
3	50995A	1	FAN VAC MOTOR
4		1	NOTE COMMENT
5	50996A	2	BRUSH MECHANISM
6		1	NOTE COMMENT
7		1	NOTE COMMENT
8		2	NOTE COMMENT
9		1	NOTE COMMENT
10		1	NOTE COMMENT
11		1	NOTE COMMENT
12	59803A	1	WASHER-NEOPRENE 685202-4
13		1	NOTE COMMENT
14		1	NOTE COMMENT
15	50997A	1	FAN VAC MOTOR
16	53914A	1	FAN 51049A
17	50999A	2	SPACER VAC MOTOR 51049A
17	50999A	1	SPACER VAC MOTOR 51050A
18	51043A	1	FAN STATIONARY VAC MOTOR
19	51044A	1	FAN ROTATING VAC MOTOR
20	51045A	1	FAN STATIONARY VAC MOTOR
21	50998A	1	FAN ROTATING VAC MOTOR
22	51046A	1	SHELL 3 STAGE FAN VAC MOTOR 51049A
22	51047A	1	SHELL 2 STAGE FAN VAC MOTOR 51050A
23		1	NOTE COMMENT
24		1	NOTE COMMENT
25	51048A	2	CAP BRUSH INSULATION VAC MTR

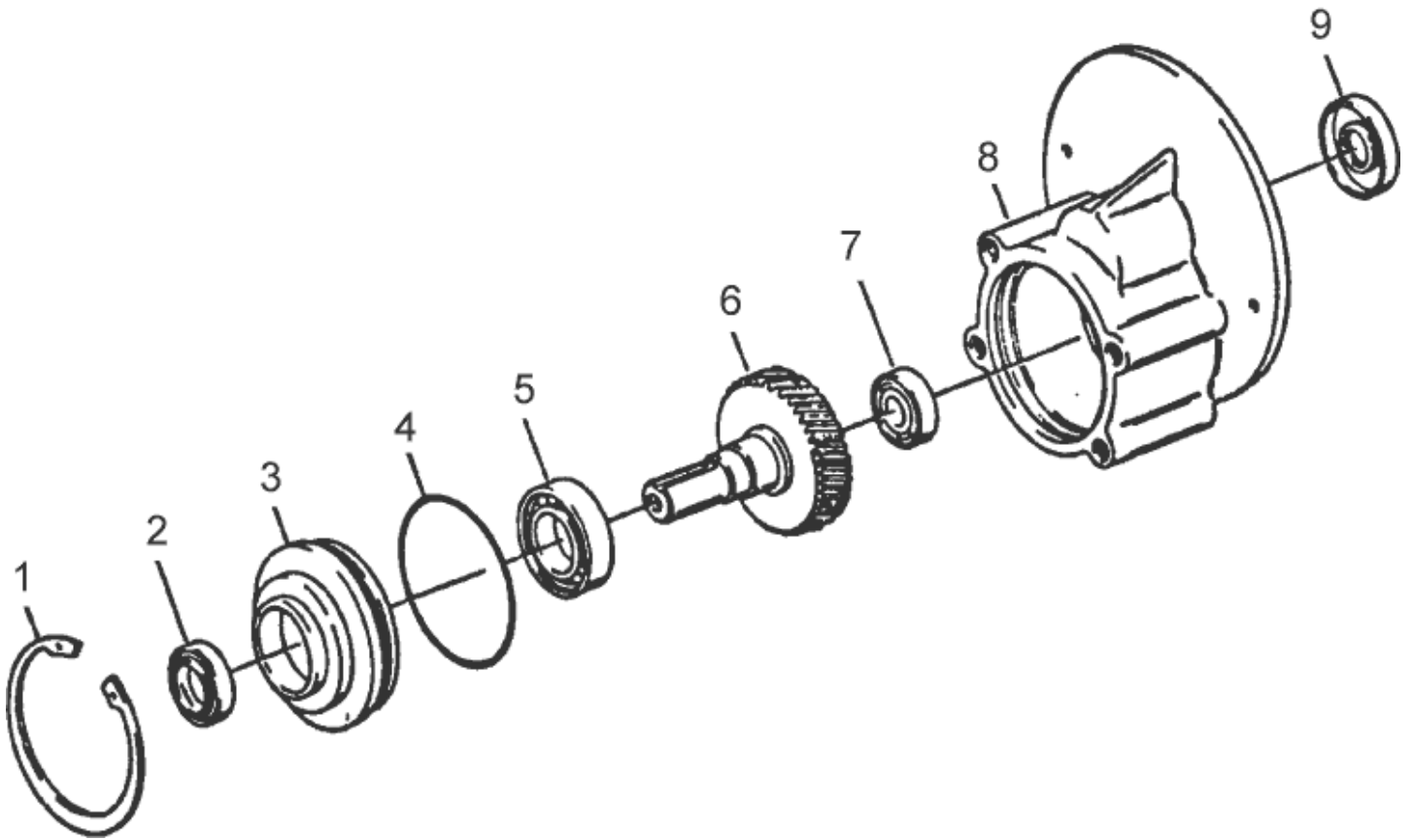
Gear box

ENCORE S2426 / L2426

25-02-2015

Part List ID
ENCORE242626

32



Gear box

ENCORE S2426 / L2426

25-02-2015

Part List ID
ENCORE242626

33

Pos	Part no.	Qty	Description
1	57846A	1	RING KITSNAPINTERNALGEARBOX
2	507641	1	SEALOIL-0.875 X 1.375 X 0.250
3	52050A	1	CAP END GEAR BOX 1700/2000
4	56668A	1	O-RING GEARBOX 1700/2000
5	51176A	1	BEARING BALL 6005 SERIES
6	58316A	1	SHAFT AND GEAR GEARBOX 1700/2
7	902605	1	BRG 710 730 TB16 TB18
8	54883A	1	HOUSING GEARBOX 1700/2000
9	58144A	1	SEAL OIL 1.628 OD X .75 ID X
10		1	USE LINK 4 OZ.

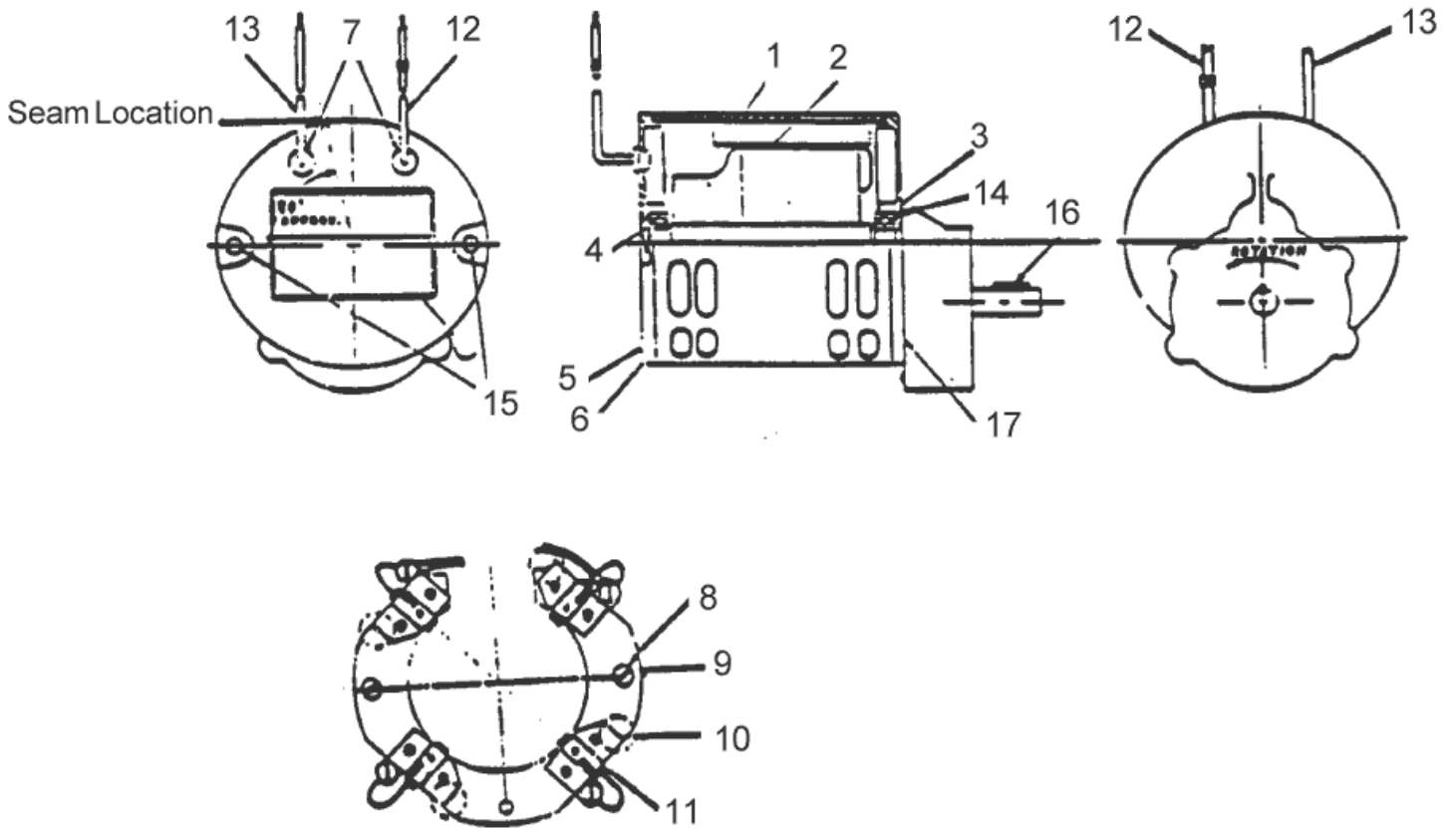
Brush motor

ENCORE S2426 / L2426

25-02-2015

Part List ID
ENCORE242628

34



Brush motor

ENCORE S2426 / L2426

25-02-2015

Part List ID
ENCORE242628

35

Pos	Part no.	Qty	Description
1	56478A	1	STATOR ASM. FOR MTR 44809A
2	50142A	1	ARMATURE ASM. 1700/2000
3	902654	1	BEARING BALL-6204
4	902550	1	BEARING BALL-6203
5		1	NOTE COMMENT Commutator Bracket Communtator
6	50520A	1	BRACKET COMMUTATOR 1700/2000
7	56480A	1	STRAIN RELIEF MOTOR 1700/2000
8	962546	1	SCR 10 24X 1/2 PN ST TYP23
9	50517A	1	BOARD ASM. BRUSH 1700/2000
10	448396	1	SPRING BRUSH 571001
11	40826A	1	BRUSH ASM.CARBON V32I/26I/38I
12	55657A	1	LEAD ASM POSTIVE FOR MTR NO.44
13	55656A	1	LEAD ASM NEGATIVE FOR MTR NO.4
15	50515A	1	BOLTTHRU 1/4-20 X 7 5/8 HEX H
16	80501A	1	KEY MTR SHAFT-3/16SQ X 1 1/4L
17	54238A	1	GEARBOX ASSEMBLY 1700/2000 B.E. Bracket Assembly

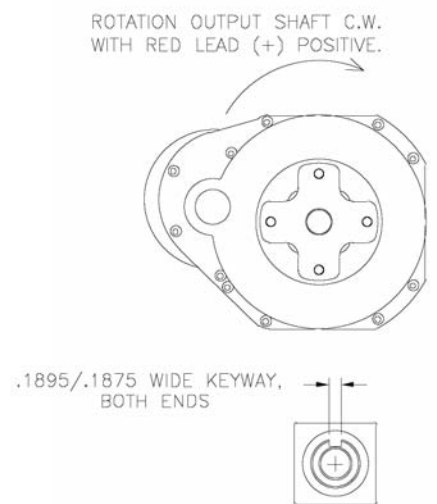
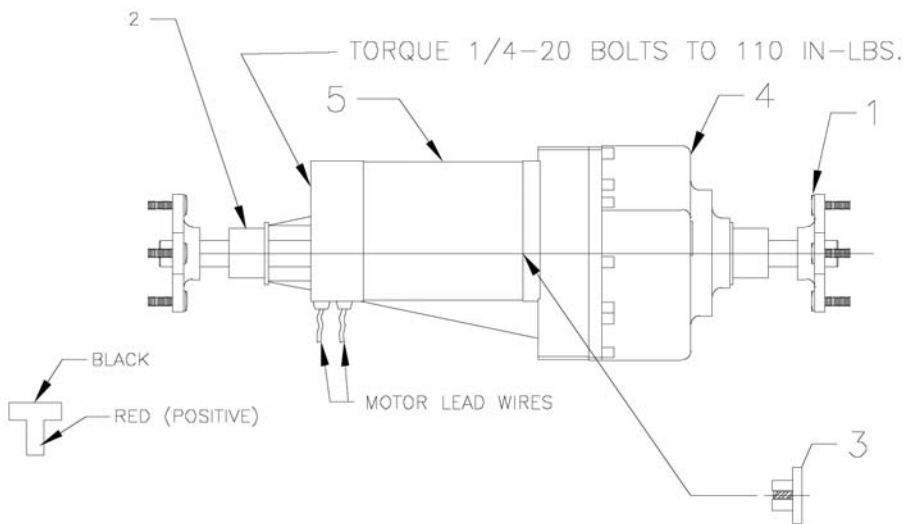
Transaxle

ENCORE S2426 / L2426

25-02-2015

Part List ID
ENCORE242630

36



Transaxle

ENCORE S2426 / L2426

25-02-2015

Part List ID
ENCORE242630

37

Pos	Part no.	Qty	Description
1	10135A	2	FLANGE WHEEL KITENCORE 2426
2	51056A	2	SLEEVE ELASTOMERIC
3	50983A	1	COUPLERMTR DRIVE 50967A
4	50982A	1	TRANSAXLE W/O MOTOR P/N 50967A
5	50981A	1	MOTOR TRANSAXLE P/N 50967A