

SCRUBTEC 545B-545BL-553B-553BL-BOOS

Model:
SCRUBTEC 545 BL
COMBI ALTO
SCRUBTEC 553 B ALT
SCRUBTEC 553 BL ALT
SCRUBTEC BOOST 5



Stykliste Dansk

30-03-2015

Nilfisk
ALTO
works for you

www.nilfisk-alto.com

Indholdsfortegnelse

SCRUBTEC 545B-545BL-553B-553BL-BOOST5

Oversigtsbillede	3
Opløsningstank	5
GENINDVINDINGSTANK	7
Chassissystem	9
Wheels and traction	11
Handle assembly without traction 545B-553B	13
Handle assembly with traction 545BL-553BL-BOOST5	15
OPLØSNINGSSYSTEM	17
GUMMISKRABERSYSTEM	19
Brush system 545B-553B	21
Brush system 545BL-553BL	23
Brush system BOOST5	25
Tilbehør 1	28
Tilbehør 2	30
Control panel system	32
Electrical components 545B-533B	34
Electrical components 545BL-533BL-BOOST5	36
Battery charger accessory kit	38
Chemical mixing accessory kit	40
ANBEFALEDE RESERVEDELE	42
56380209 - Flex Plate 20 Kit	45

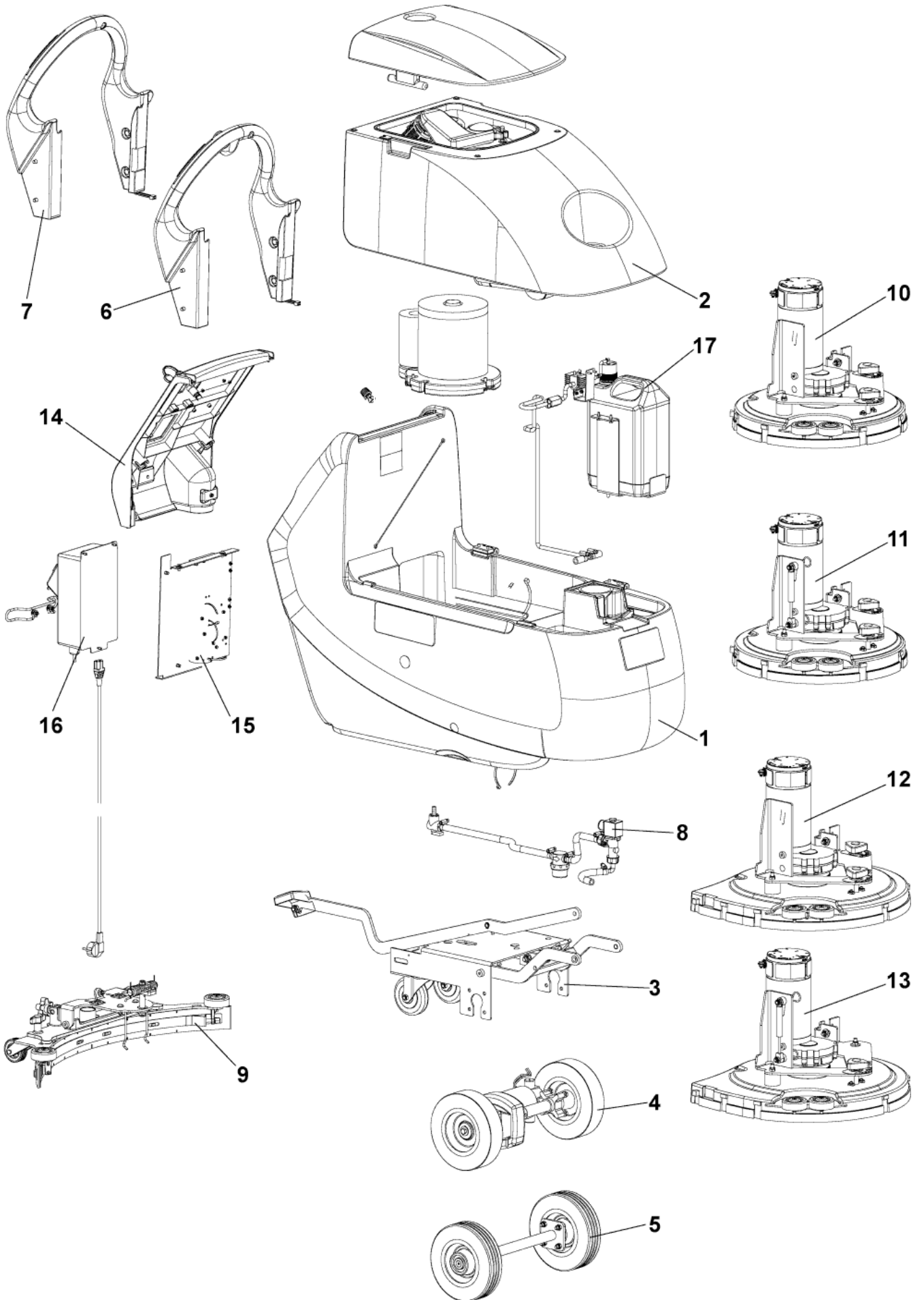
Oversigtsbillede

SCRUBTEC 545B-545BL-553B-553BL-BOOST5

30-03-2015

StyMiste ID
SCRUBTEC545B01

3



Oversigtsbillede

SCRUBTEC 545B-545BL-553B-553BL-BOOST5

30-03-2015

StyMiste ID
SCRUBTEC545B01

4

Pos	Vare nr.	Ant	Beskrivelse	
0	9098358000	1	CARDBOARD BOX 1400X690X1150MM	Box for 553BL
1		1	USE LINK	Solution Tank
2		1	USE LINK	Recovery Tank
3		1	USE LINK	Chassis System
4		1	USE LINK	Wheels And Traction 545BL - 553BL
5		1	USE LINK	Wheels System 545B - 553B
6		1	USE LINK	Handle Assembly 545BL - 553BL
7		1	USE LINK	Handle Assembly 545B - 553B
8		1	USE LINK	Solution System
9		1	USE LINK	Squeegee System
10		1	USE LINK	Brush System 545B
11		1	USE LINK	Brush System 545BL
12		1	USE LINK	Brush System 553B
13		1	USE LINK	Brush System 553BL
14		1	USE LINK	Control Panel System
15		1	USE LINK	Electrical Components
16		1	USE LINK	Battery Charger
17		1	USE LINK	Chemical Mixing System

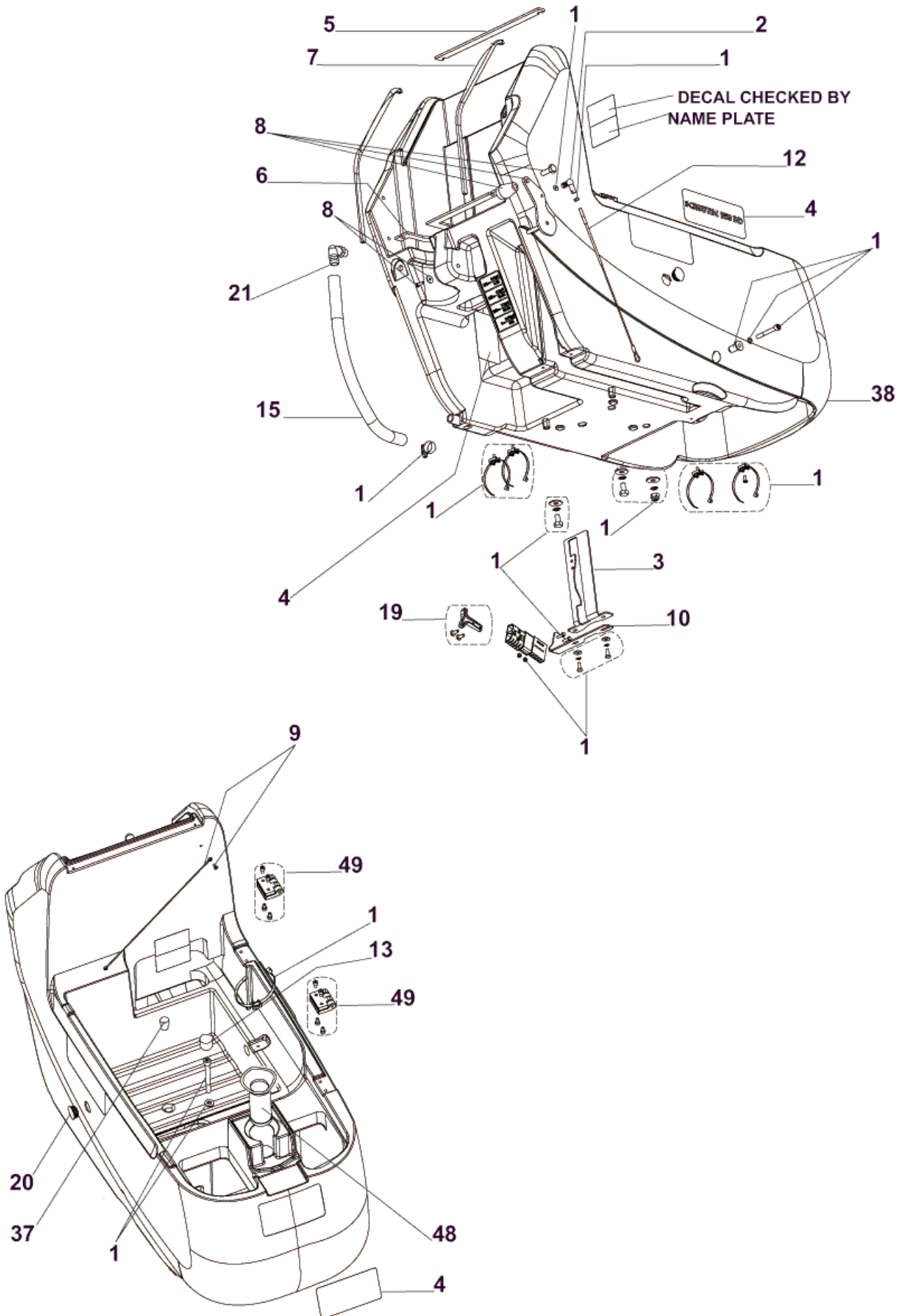
Opløsningstank

SCRUBTEC 545B-545BL-553B-553BL-BOOST5

30-03-2015

StyMiste ID
SCRUBTEC545B02

5



Opløsningstank

SCRUBTEC 545B-545BL-553B-553BL-BOOST5

30-03-2015

StyMiste ID
SCRUBTEC545B02

6

Pos	Vare nr.	Ant	Beskrivelse	
0	9098033000	1	GASKET HANDLE BAR	
0	9098762000	2	Ladestik, Rød 120 A	
1	9098265000	1	Mont.Sæt F. Rentvandstank	
2	145 8479 000	1	Vinkel, M6	
3	909 6493 000	1	SUPPORT PEDAL	
4	9098068000	1	DECALS SCRUBTEC 545 BL COMBI ALTO KIT	FOR ALTO BRANDED ONLY
4	9098069000	1	DECALS SCRUBTEC 553 BL COMBI ALTO KIT	FOR ALTO BRANDED ONLY
4	9098089000	1	DECALS SCRUBTEC 545/553/BOOST 5 B KIT	
4	9098332000	1	DECALS SCRUBTEC BOOST 5 ALTO KIT	FOR ALTO BRANDED ONLY
5	909 6596 000	1	Gasket	
6	909 6597 000	1	Gasket	
7	909 6892 000	2	Gasket L 960	
8	9097630000	1	Plade For Løft Af Sugefod	
9	909 6874 000	1	Cable Tank Kit	
10	9098936000	1	BRACKET BATTERY CONNECTOR	
12	9098673000	1	Wire For Sugefod	
13	909 6673 000	1	CAP BLACK BP6	
15	9097296000	1	HOSE CLEAN WATER	
19	1464116000	1	Handle Red Plastic Sb 120	
20	L08812457	2	Cap Tank	
21	9100000771	1	FITTING 90. M 3/8-18 NPT HOSE D.19 PKD	
37	909 6236 000	1	Gummigennemføring, Sort	
38	9097015000	1	Tank Solution 35 Lt Blue	
38	9098939000	1	Rentv annstank Til Scrubte BOOST 5	FOR 9087259020 ONLY
48	9097192000	1	Filter	
49	9098329000	1	Hinges Kit	

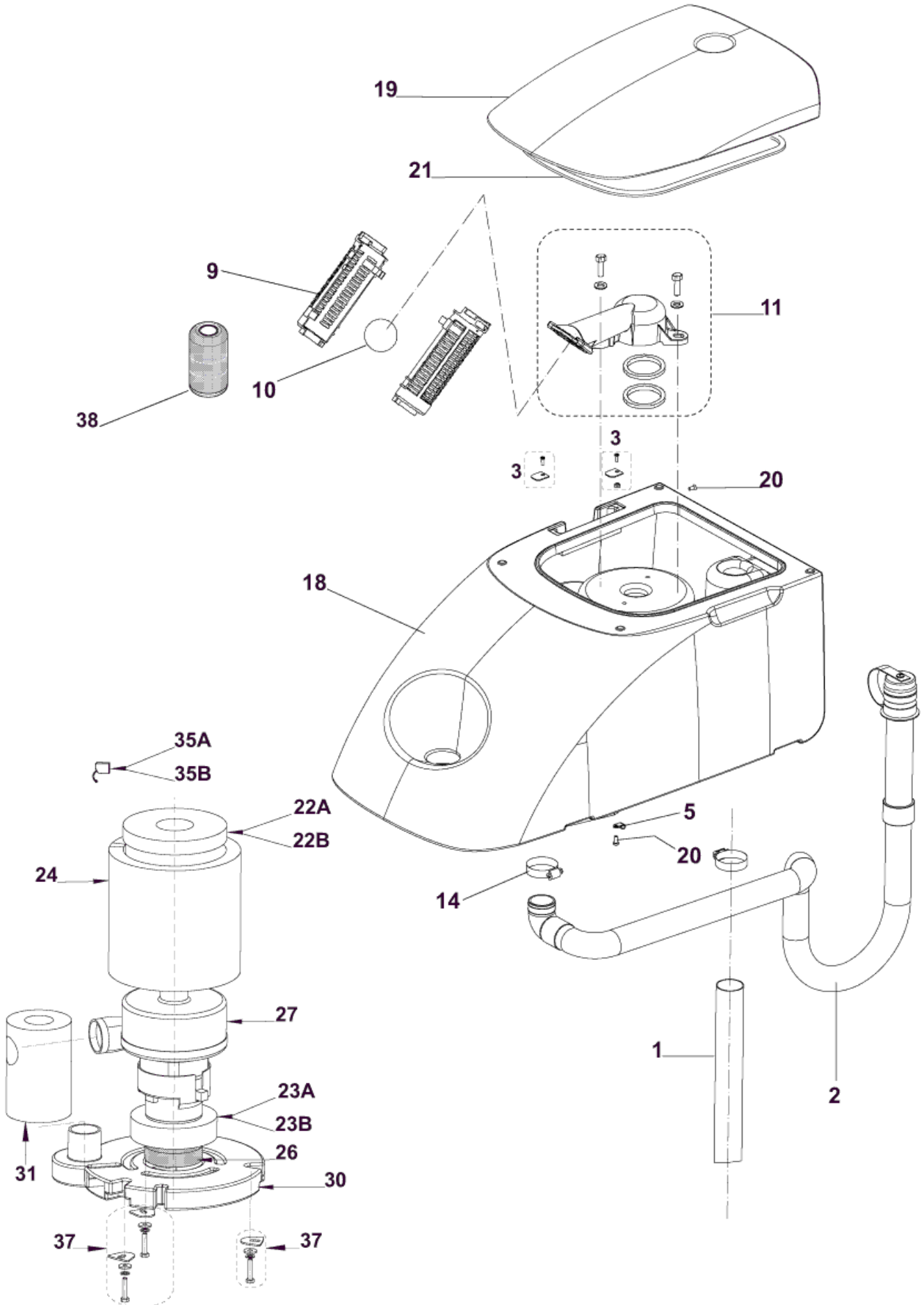
GENINDVINDINGSTANK

SCRUBTEC 545B-545BL-553B-553BL-BOOST5

30-03-2015

StyMiste ID
SCRUBTEC545B03

7



GENINDVINDINGSTANK

SCRUBTEC 545B-545BL-553B-553BL-BOOST5

30-03-2015

StyMiste ID
SCRUBTEC545B03

8

Pos	Vare nr.	Ant	Beskrivelse
0	909 6876 000	1	Hardware Cage Sup.Fix.Kit
1	9099853000	1	HOSE SQUEEGEE VACUUM BLACK KIT
2	9099166000	1	Aftapningsslange
3	9097654000	1	Holder, Låg
5	L08239900	1	CLAMP D.6 WHITE
9	L08812259	2	Kompl.Fly der F.Ba450/530 F.BA 450/530
10	L08812373	1	Float Ball F.BA 450/530
11	9097724000	1	Holder For Niveaumåler
14	145 0543 000	2	Passring
18	9097016000	1	Snavsevandstank Scrubtech 553
19	9097017000	1	COVER TANK 35 LT BLUE
20	33005124	2	SCREW M5X12 C/SUNK FLAT HD PHIL ISO7046
21	909 6268 000	1	Pakning
24	909 6491 000	1	Panel Acoustic Insulation
26	909 6672 000	1	Filter
27	9099401000	1	Motor Vacuum Kit
30	909 6051 000	1	Cover.Vacuum Motor
31	909 6442 000	1	Pipe,Acoustic Insulation
37	909 6877 000	1	Hardware Motor Fixing Kit
38	909 5065 000	1	Anti-skumfilter TSB IT 2008-002
22A	9096918000	1	Gasket. Vacuum Motor
22B	9098057000	1	Gasket Vacuum Motor
23A	909 6490 000	1	Gasket Vacuum Motor
23B	9097555000	1	Gasket vacuum moter
35A	909 5371 000	2	Kul, Sugemotor 410/343
35B	9098231000	1	Carbon Brush Kit 2Pcs

A: FOR MOTOR 9099401000 (AMETEK)

B: FOR MOTOR 9098062000 (VIPER)

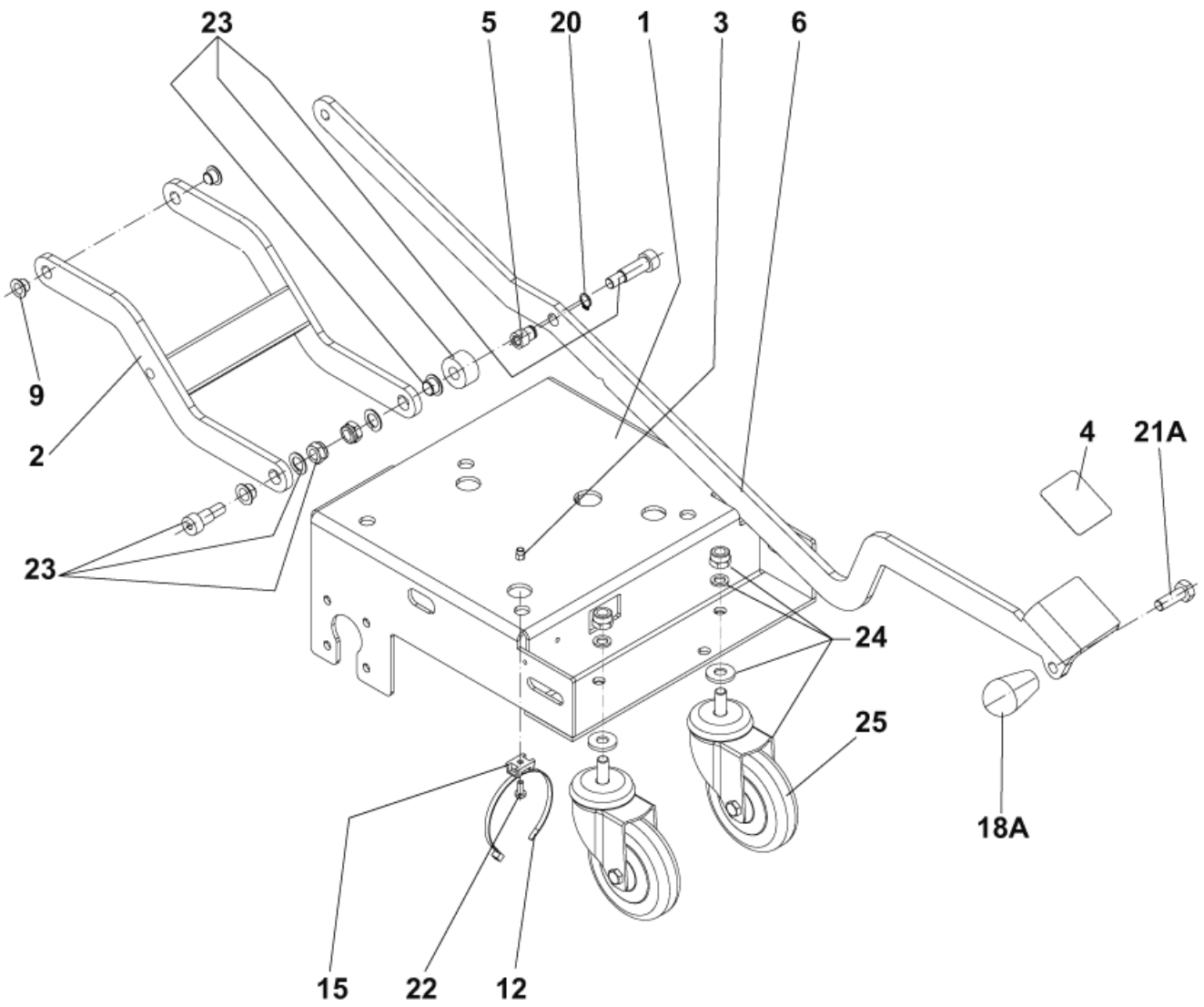
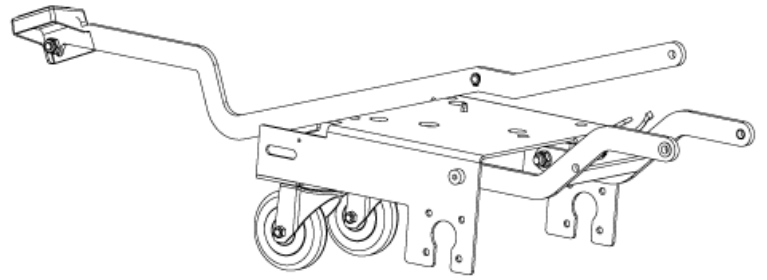
Chassissystem

SCRUBTEC 545B-545BL-553B-553BL-BOOST5

30-03-2015

StyMiste ID
SCRUBTEC545B04

9



Chassissystem

SCRUBTEC 545B-545BL-553B-553BL-BOOST5

30-03-2015

StyMiste ID
SCRUBTEC545B04

10

Pos	Vare nr.	Ant	Beskrivelse	
0	910000335	1	STRAP ANTISTATIC KIT	OPT INST.INSTR.910000337
1	909 6482 000	1	Chassis	
2	909 6486 000	1	Børstedæk Ophæng BA 551Cd	
3	145 6132 000	1	INSERT M5	
4	909 6539 000	1	MAT.ANTISKID	
5	909 6540 000	1	BUSH FLANGED	
6	9097024000	1	PEDAL BRUSH LIFTING	
9	909 6594 000	3	BEARING FLANGE IGLIDUR GFM-1012-09	
12	145 0524 000	3	Black Clamp 4,8X200	
15	909 6595 000	1	HOLDER.FLAT TIE	
20	33006051	1	Ring D 12 UNI7435	
22	909 6337 000	1	SCREW M5X12 PAN HD PHIL ISO7045	
23	909 6878 000	1	Hardware Chas. Fixing Kit	
24	9098619000	2	Hjul Ø100 PU SS (1 stk. m. bolt)	
24	9099028000	2	Wheel Castor W/Hardw.Kit	OPTIONAL
25	9099014000	2	Wheel Castor Chromate	
18A	909 6621 000	1	Knob	FOR SCRUBTEC 545BL - 553BL - BOOST5
21A	33004010	1	SCREW M10X30 HEX HD F/THD ISO4017	FOR SCRUBTEC 545BL - 553BL - BOOST5

Wheels and traction

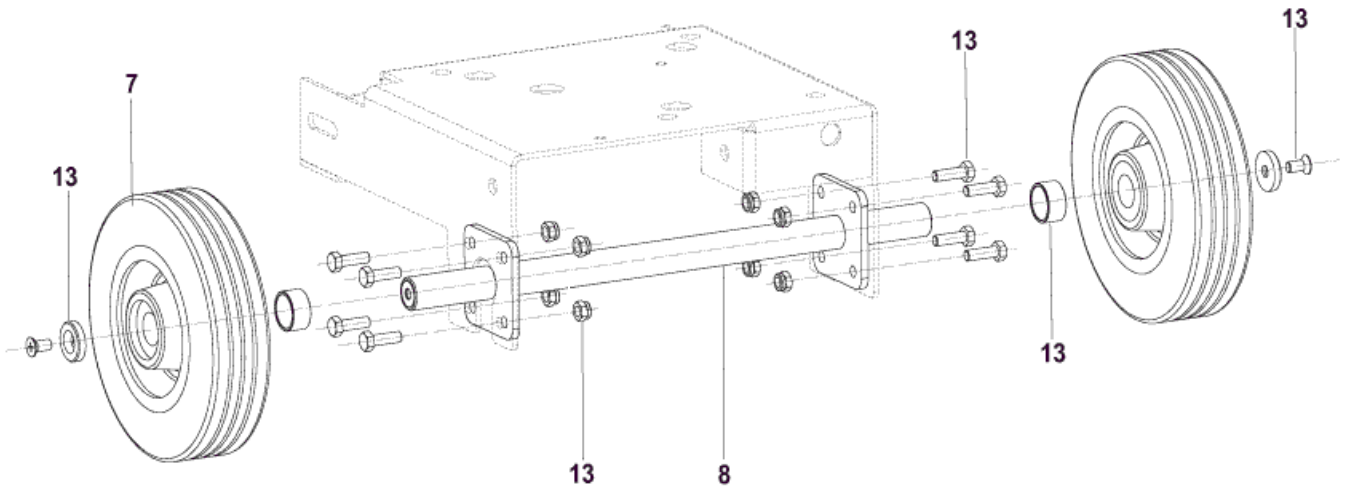
SCRUBTEC 545B-545BL-553B-553BL-BOOST5

30-03-2015

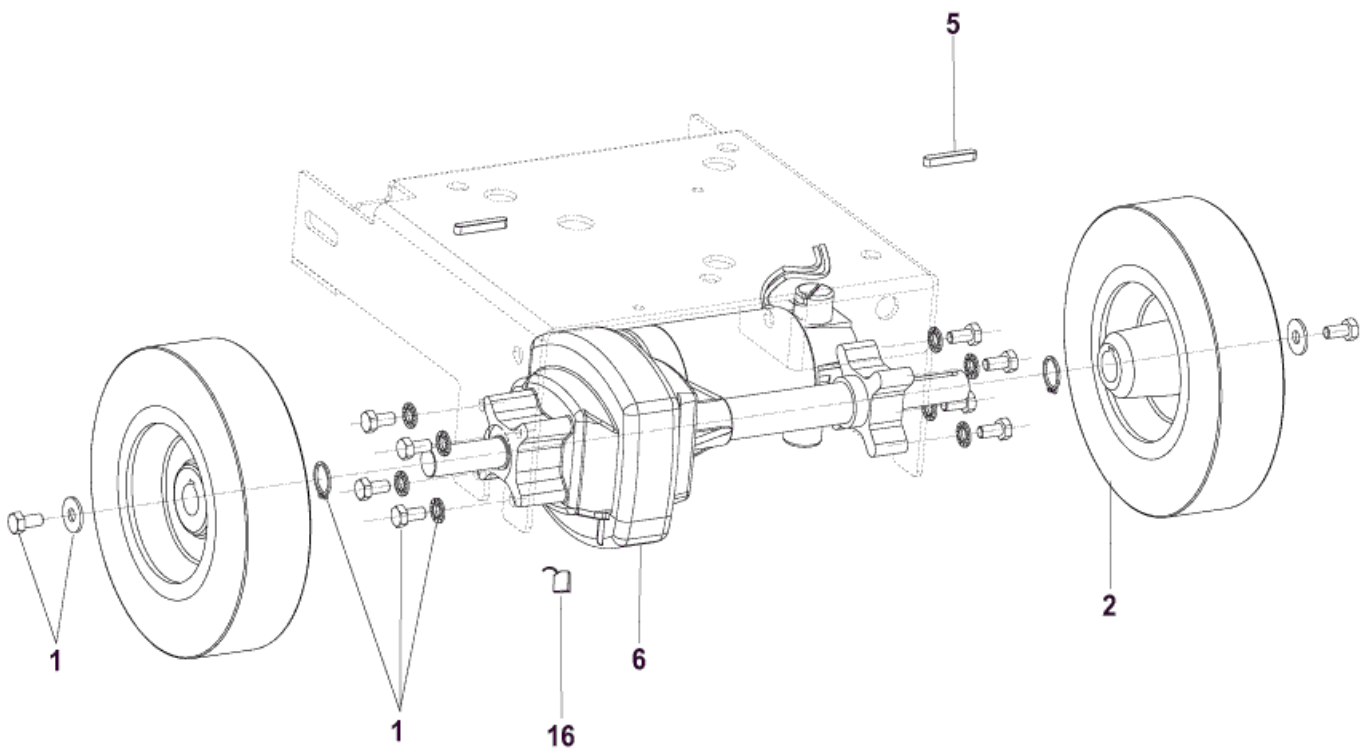
StyMiste ID
SCRUBTEC545B05

11

WITHOUT TRACTION (SCRUBTEC 545 B - SCRUBTEC 553 B)



WITH TRACTION (SCRUBTEC 545 BL - SCRUBTEC 553 BL - BOOST 5)



Wheels and traction

SCRUBTEC 545B-545BL-553B-553BL-BOOST5

30-03-2015

StyMiste ID
SCRUBTEC545B05

12

Pos	Vare nr.	Ant	Beskrivelse
1	9098298000	1	HARDWARE DRIVE WHEELS KIT
2	9097032000	2	Træk hjul, olieresistente, Ø200 mm SCRUBTEC BOOST5
2	9099204000	2	Hjul Poly 65 D.200X50 SCRUBTEC 545 BL - 553 BL
2	9099693000	1	WHEELS KIT SEE NOTE
5	146 0769 000	2	KEY 6X6X40 UNI6604A
6	909 6548 000	1	Køremotor 200W 24V Ba450/551/611
7	9099743000	1	WHEELS FRONT D.200 KIT contains 2 wheels
8	909 6508 000	1	SHAFT WHEELS
13	9098299000	1	HARDWARE WHEELS KIT
16	145 5124 000	2	Kul F. Aw 455 Børstemotor

POS. 2 - 9099204000 IS AVAILABLE AS SINGLE WHEEL FOR MODELS WHICH ALREADY HAVE BLACK WHEELS

POS. 2 - 9099693000 (WHEELS KIT) HAS REPLACED THE 9098039000 (WHEEL D.200 BLUE) FOR MACHINE UNTIL SERIAL NUMBER 3510134303098

Handle assembly without traction 545B-553

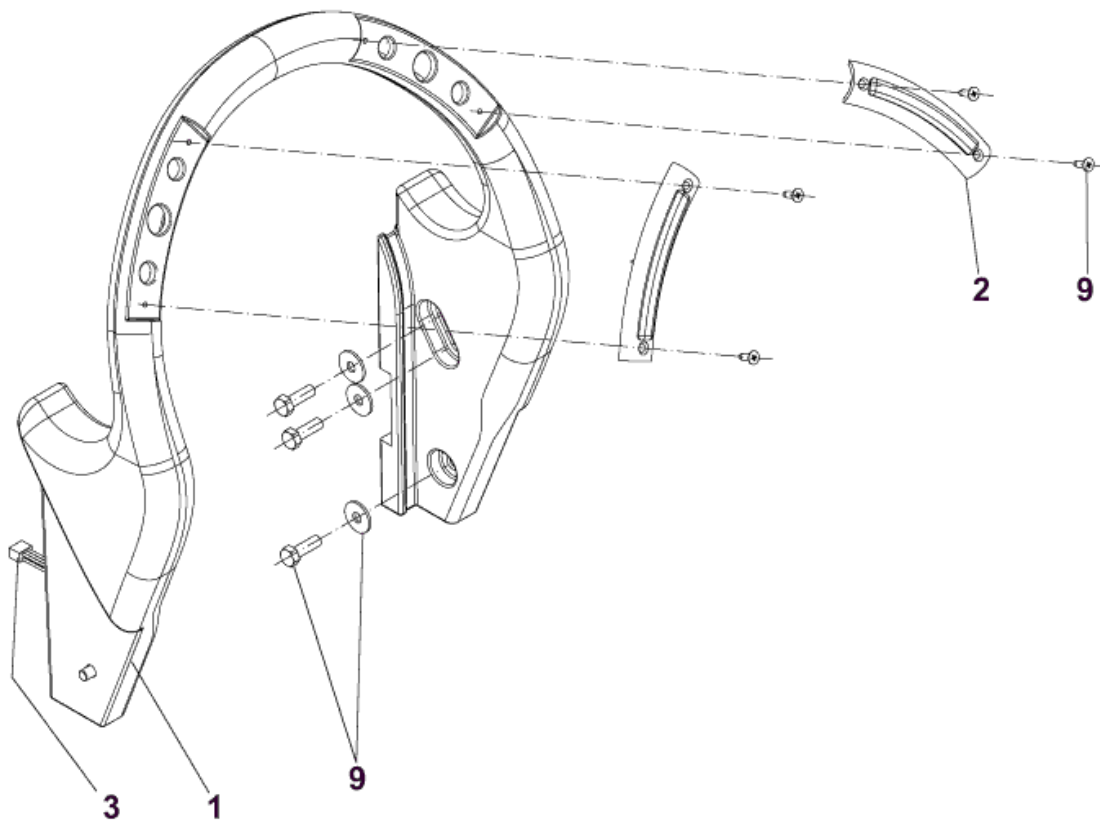
SCRUBTEC 545B-545BL-553B-553BL-BOOST5

30-03-2015

StyMiste ID
SCRUBTEC545B07

13

WITHOUT TRACTION (SCRUBTEC 545 B - SCRUBTEC 553 B)



Handle assembly without traction 545B-553E

SCRUBTEC 545B-545BL-553B-553BL-BOOST5

30-03-2015

StyMiste ID
SCRUBTEC545B07

14

Pos	Vare nr.	Ant	Beskrivelse
1	9097021000	1	HANDLE BAR PLASTIC
2	9100000467	1	SWITCHES CPL YELLOW F HANDLE BAR KIT
3	9097036000	1	HARNESS HANDLE BAR
9	9098330000	1	HARDWARE HANDLE SYSTEM KIT

Handle assembly with traction 545BL-553BL-BO

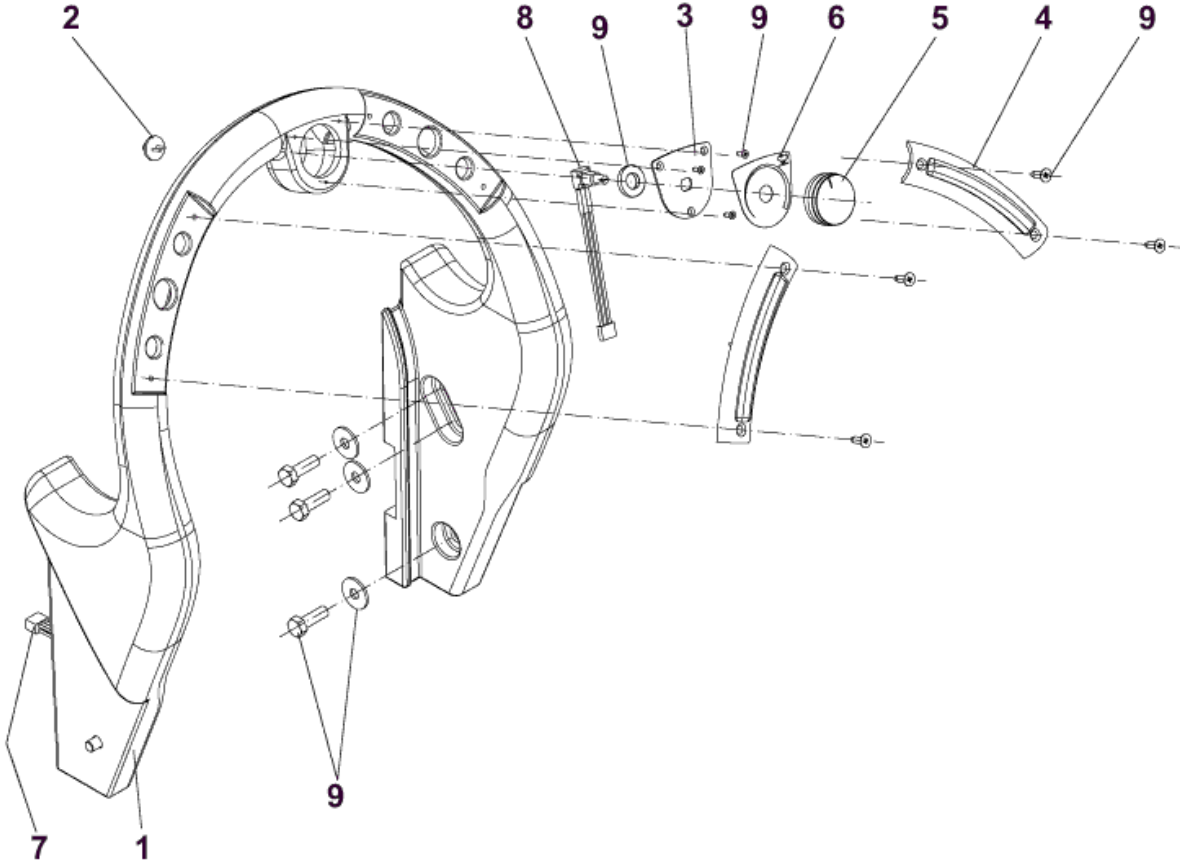
SCRUBTEC 545B-545BL-553B-553BL-BOOST5

30-03-2015

StyMiste ID
SCRUBTEC545B08

15

WITH TRACTION (SCRUBTEC 545 BL - SCRUBTEC 553 BL - BOOST 5)



Handle assembly with traction 545BL-553BL-BOC

SCRUBTEC 545B-545BL-553B-553BL-BOOST5

30-03-2015

Styliste ID
SCRUBTEC545B08

16

Pos	Vare nr.	Ant	Beskrivelse
1	9097018000	1	Handle Bar Drive Version
2	9097153000	1	Kontakt
3	9097031000	1	Plate Potentiometer
4	9100000467	1	SWITCHES CPL YELLOW F HANDLE BAR KIT
5	9098484000	1	Knop
6	9097071000	1	Decal Traction Control
7	9097035000	1	HARNESS HANDLE BAR
8	9097043000	1	Potentiometer Scrubtex 661Bd
9	9098330000	1	HARDWARE HANDLE SYSTEM KIT

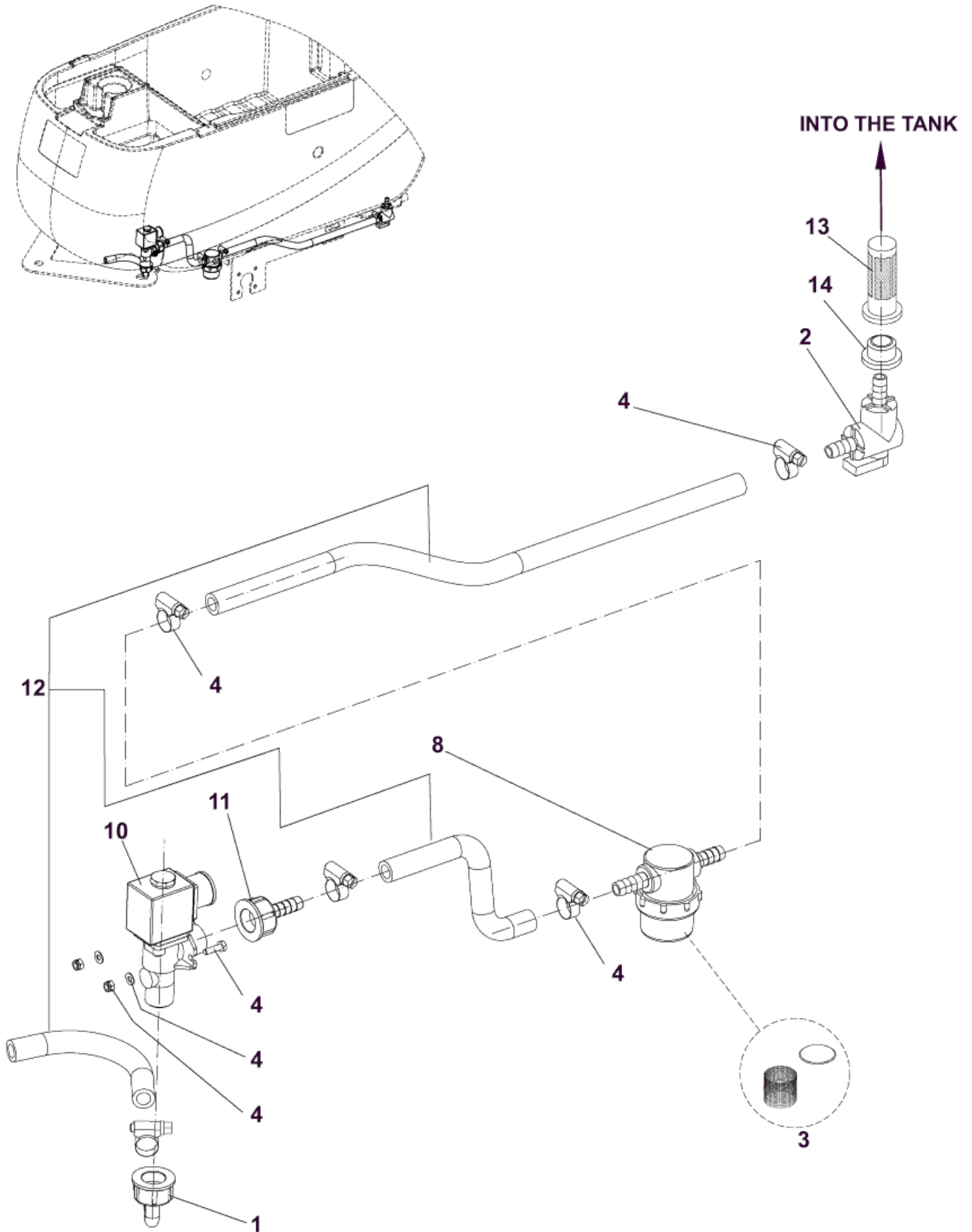
OPLØSNINGSSYSTEM

SCRUBTEC 545B-545BL-553B-553BL-BOOST5

30-03-2015

StyMiste ID
SCRUBTEC545B09

17



OPLØSNINGSSYSTEM

SCRUBTEC 545B-545BL-553B-553BL-BOOST5

30-03-2015

StyMiste ID
SCRUBTEC545B09

18

Pos	Vare nr.	Ant	Beskrivelse
1	9098777000	1	Vinkel
2	9096994000	1	Valve Elbow
3	L08603893	1	Filternet+Pakn. Til 909 5151 000
4	9098301000	1	HARDWARE SOLUTION SYSTEM KIT
8	9097166000	1	Filter Complete Kit
10	909 6555 000	1	Solenoid Valve 24V
11	9100000106	1	HOLDER RUBBER 1/2 FEMALE KIT
12	9097170000	1	Pipes Solenoid Valve Kit
13	9096916000	1	Filter Rentvand Ba410
			OPTION
14	909 5286 000	1	Pakning BA 410

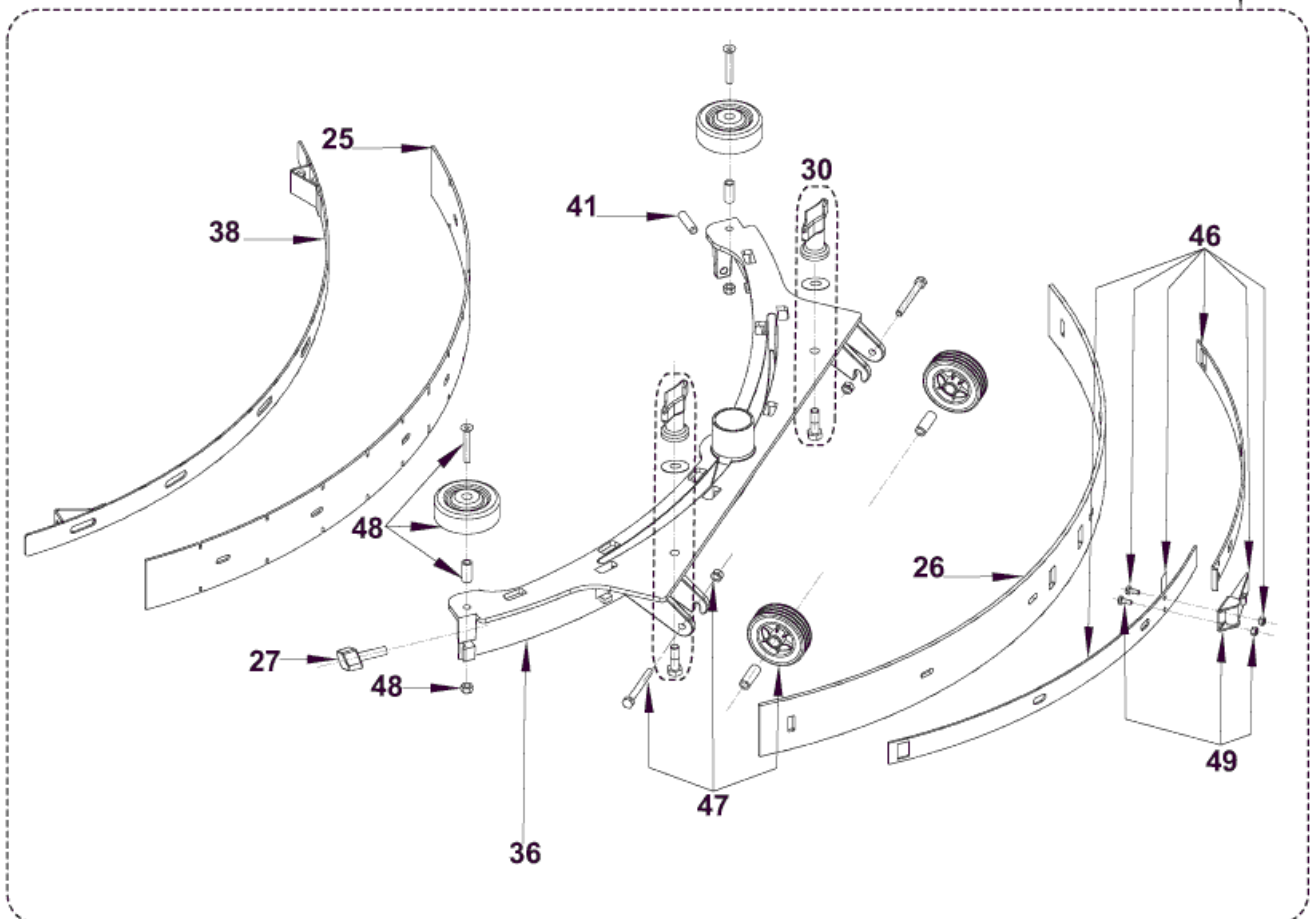
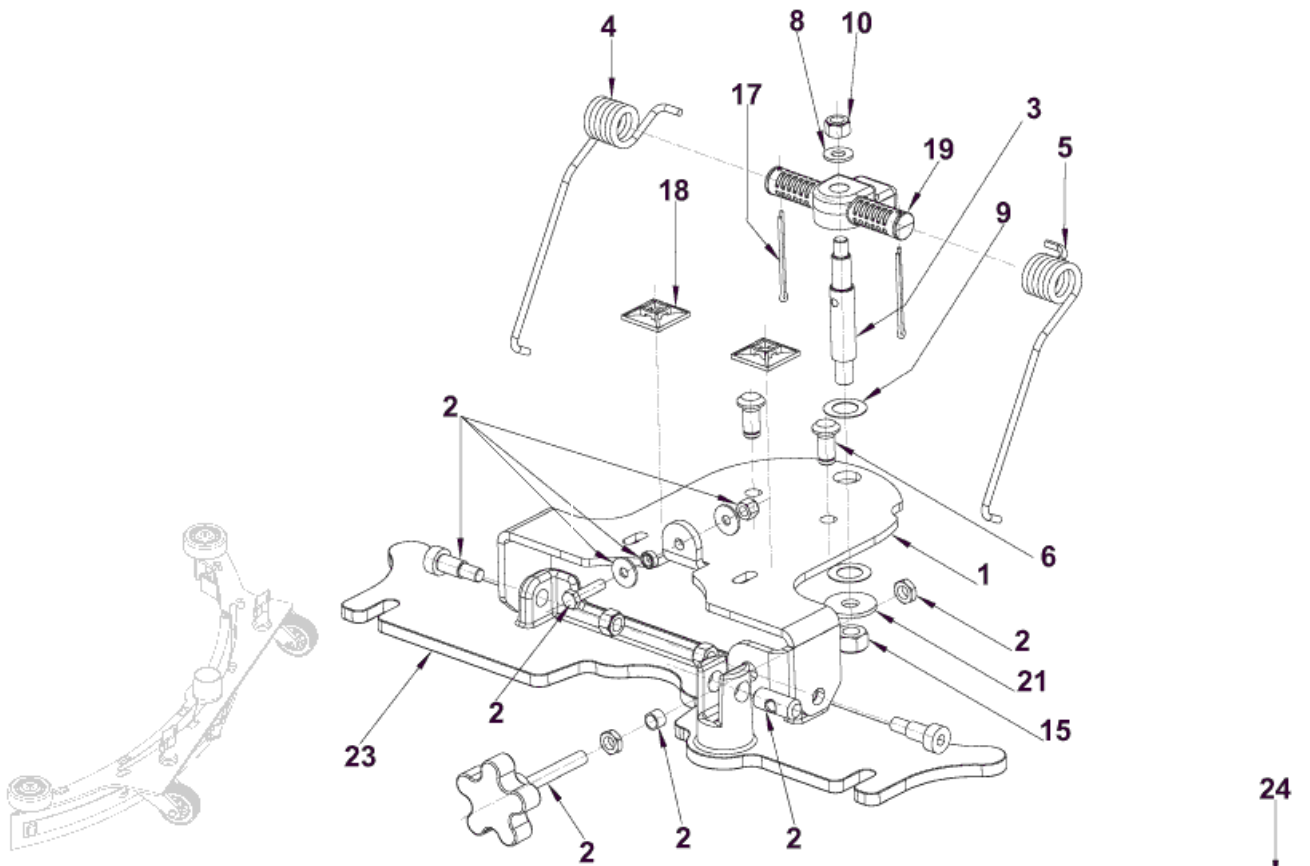
GUMMISKRABERSYSTEM

SCRUBTEC 545B-545BL-553B-553BL-BOOST5

30-03-2015

StyMiste ID
SCRUBTEC545B10

19



GUMMISKRABERSYSTEM

SCRUBTEC 545B-545BL-553B-553BL-BOOST5

30-03-2015

StyMiste ID
SCRUBTEC545B10

20

Pos	Vare nr.	Ant	Beskrivelse	
0	9097548000	1	Pakning, Nylon Kit Til Skviser	TSB IT 2007-031
0	910000279	1	Sugegummi kit sværtfri 29" 740 mm	INCLUDES POS. 25-26
1	909 6494 000	1	Bracket, Squeegee Support	
2	909 6885 000	1	Squeegee Justeringskit Ba451-551	
3	909 6497 000	1	Bolt, Squeegee	
4	909 6537 000	1	Fjeder Til Squeegee	
5	909 6538 000	1	Fjeder Til Squeegee	
6	909 6543 000	2	Pin, Squeegee Fixing	
8	33005915	1	Plain Washer 8	
9	L08238300	2	Skive	
10	33005607	3	Møtrik M8 Uni7474	
15	33005608	1	Møtrik M10 Uni7474	
17	33005758	2	Split Til Sugefod	
18	909 6635 000	2	Holder	
19	909 6052 000	1	Fjederholder For Squeegee	
21	L08604251	1	Disc 10,5 Ba340/450/530	
23	909 6045 000	1	Beslag Til Sugefod	TSB IT 2008-003
24	909 6851 000	1	Sugefod, komplet	
27	910000791	1	KNOB M8X30 THD STUD SS PKD	
30	9097637000	1	Monteringsskrue (2 Stk)	
36	909 6044 000	1	"Sugefod 30" Kun Metaldel "	
38	909 6055 000	1	Holder For Sugegummi	
41	909 6600 000	1	SCREW GRUB M8X30 CUP POINT SS ISO4029	
46	909 6882 000	1	Skinnekit	
47	909 6883 000	2	Hjul For Squeegee Kit	
48	909 6884 000	2	Påkørselshjul, Kit	
49	909 6394 000	1	Latch Squeegee Kit	

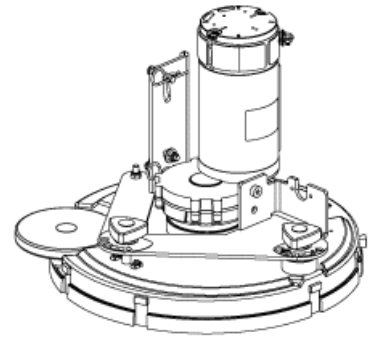
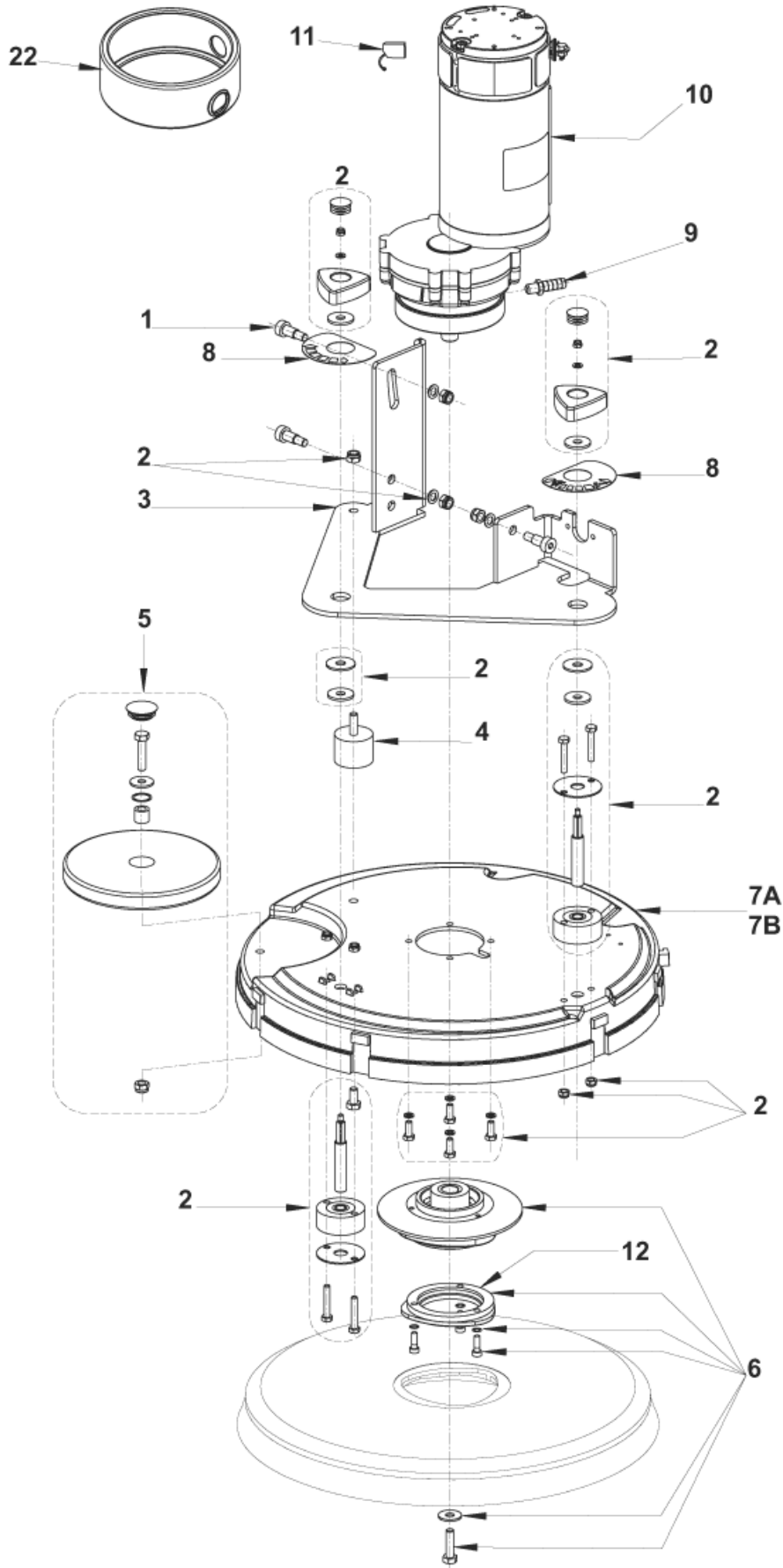
Brush system 545B-553B

SCRUBTEC 545B-545BL-553B-553BL-BOOST5

30-03-2015

StyMiste ID
SCRUBTEC545B11

21



Brush system 545B-553B

SCRUBTEC 545B-545BL-553B-553BL-BOOST5

30-03-2015

StyMiste ID
SCRUBTEC545B11

22

Pos	Vare nr.	Ant	Beskrivelse	
1	909 6495 000	3	SCREW SHOUL 10X16 M8 ISO7379 GEOMET 320A	
2	9099419000	1	Justeringsæt F. Børste	
3	909 6485 000	1	Plate Deck Brush Holder	
4	9100000868	1	VIBRATION DAMPING M8 60SH 2 PCS SET	
5	909 6887 000	2	Stødhjul	
6	9097093000	1	Børsteholder Poly Kit	
8	9098089000	1	DECALS SCRUBTEC 545/553/BOOST 5 B KIT	
9	L08601624	1	Slangestuds Plast	
10	9098308000	1	Gearmotor 450W 24V	
11	909 5380 000	1	Carbon Brush Kit	FOR REDUCTION GEARMOTOR 909 6546 000 (LEROY SOMER)
11	9098376000	1	CARBON BRUSHES KIT 4 PCS	FOR REDUCTION GEARMOTOR 9098308000 (AMER)
11	9098674000	1	CARBON BRUSHES KIT 4 PCS	FOR REDUCTION GEARMOTOR 9098352000 (VIPER)
12	L08812480	1	Poly g. Holder Ba450/530	
22	9097599000	1	Beskyttelsessæt	TSB IT 2008-014 - Accessory - INSTR. 9097600000
7A	9097079000	1	DECK BRUSH BLACK 450 MM	FOR SCRUBTEC 545B
7B	9097078000	1	DECK BRUSH BLACK 530 MM	FOR SCRUBTEC 553B

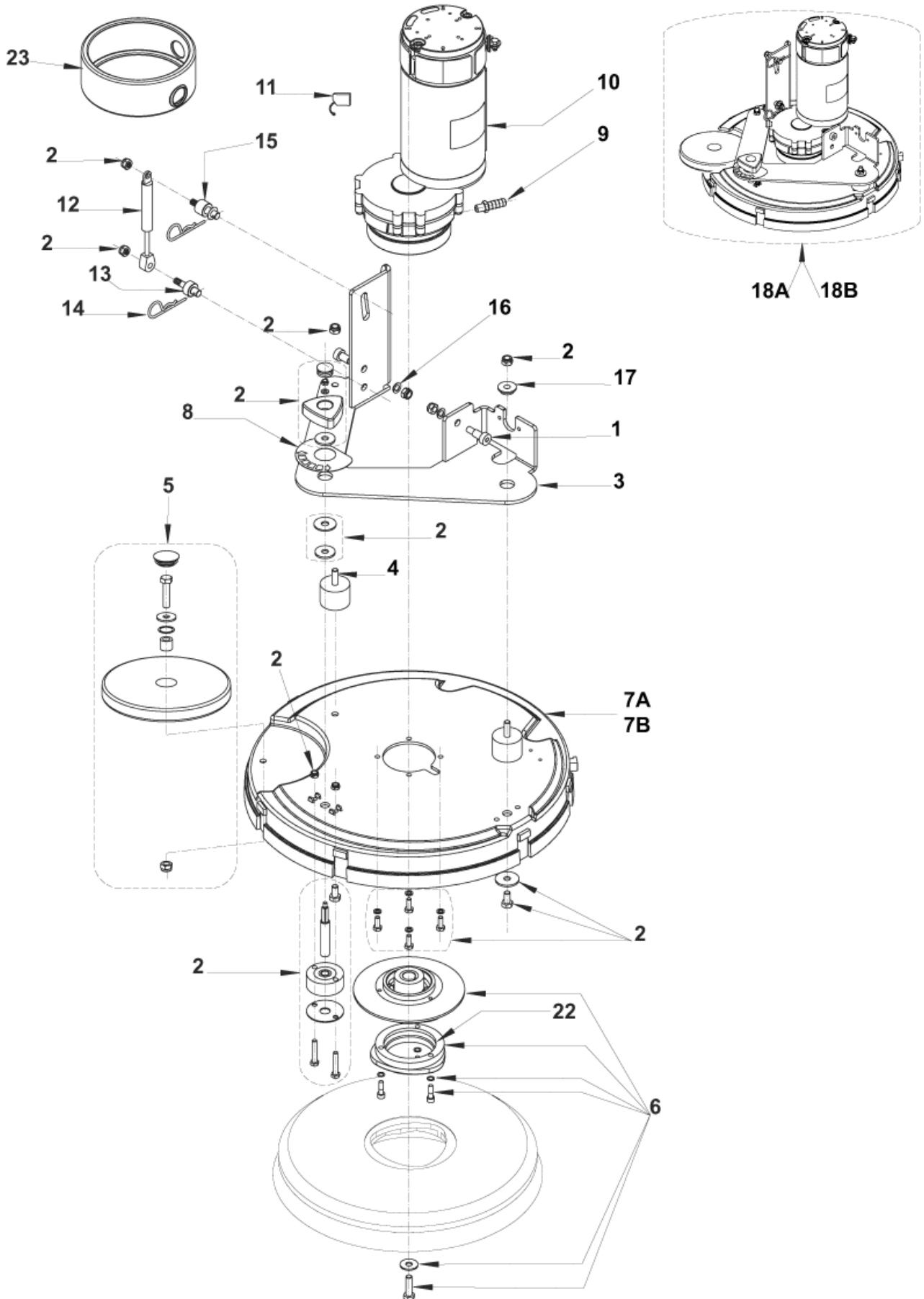
Brush system 545BL-553BL

SCRUBTEC 545B-545BL-553B-553BL-BOOST5

30-03-2015

StyMiste ID
SCRUBTEC545B12

23



Brush system 545BL-553BL

SCRUBTEC 545B-545BL-553B-553BL-BOOST5

30-03-2015

StyMiste ID
SCRUBTEC545B12

24

Pos	Vare nr.	Ant	Beskrivelse	
1	909 6495 000	3	SCREW SHOUL 10X16 M8 ISO7379 GEOMET 320A	
2	9099419000	1	Justeringsæt F. Børste	
3	909 6485 000	1	Plate Deck Brush Holder	
4	9100000868	1	VIBRATION DAMPING M8 60SH 2 PCS SET	
5	909 6887 000	2	Stødhjul	
6	9097093000	1	Børsteholder Poly Kit	
8	9098089000	1	DECALS SCRUBTEC 545/553/BOOST 5 B KIT	
9	L08601624	1	Slangestuds Plast	
10	9098308000	1	Gearmotor 450W 24V	
11	909 5380 000	1	Carbon Brush Kit	FOR REDUCTION GEARMOTOR 909 6546 000 (LEROY SOMER)
11	9098376000	1	CARBON BRUSHES KIT 4 PCS	FOR REDUCTION GEARMOTOR 9098308000 (AMER)
12	9097080000	1	SPRING GAS 100 N	
13	909 6516 000	1	PIN LOWER	
14	145 8564 000	2	Saxpinne	
15	909 6515 000	1	Pin Upper	
16	33005916	2	WASHER M10 UNI6592	
17	909 6513 000	1	BUSH FLANGED	
22	L08812480	1	Poly g. Holder Ba450/530	
23	9097599000	1	Beskyttelsessæt	TSB IT 2008-014 - OPTION- INSTR. 9097600000
7A	9097079000	1	DECK BRUSH BLACK 450 MM	FOR SCRUBTEC 545BL
7B	9097078000	1	DECK BRUSH BLACK 530 MM	FOR SCRUBTEC 553BL
18A	9097176000	1	DECK BRUSH 450MM/18 KIT	
18B	9097177000	1	Børstehoved, komplet	

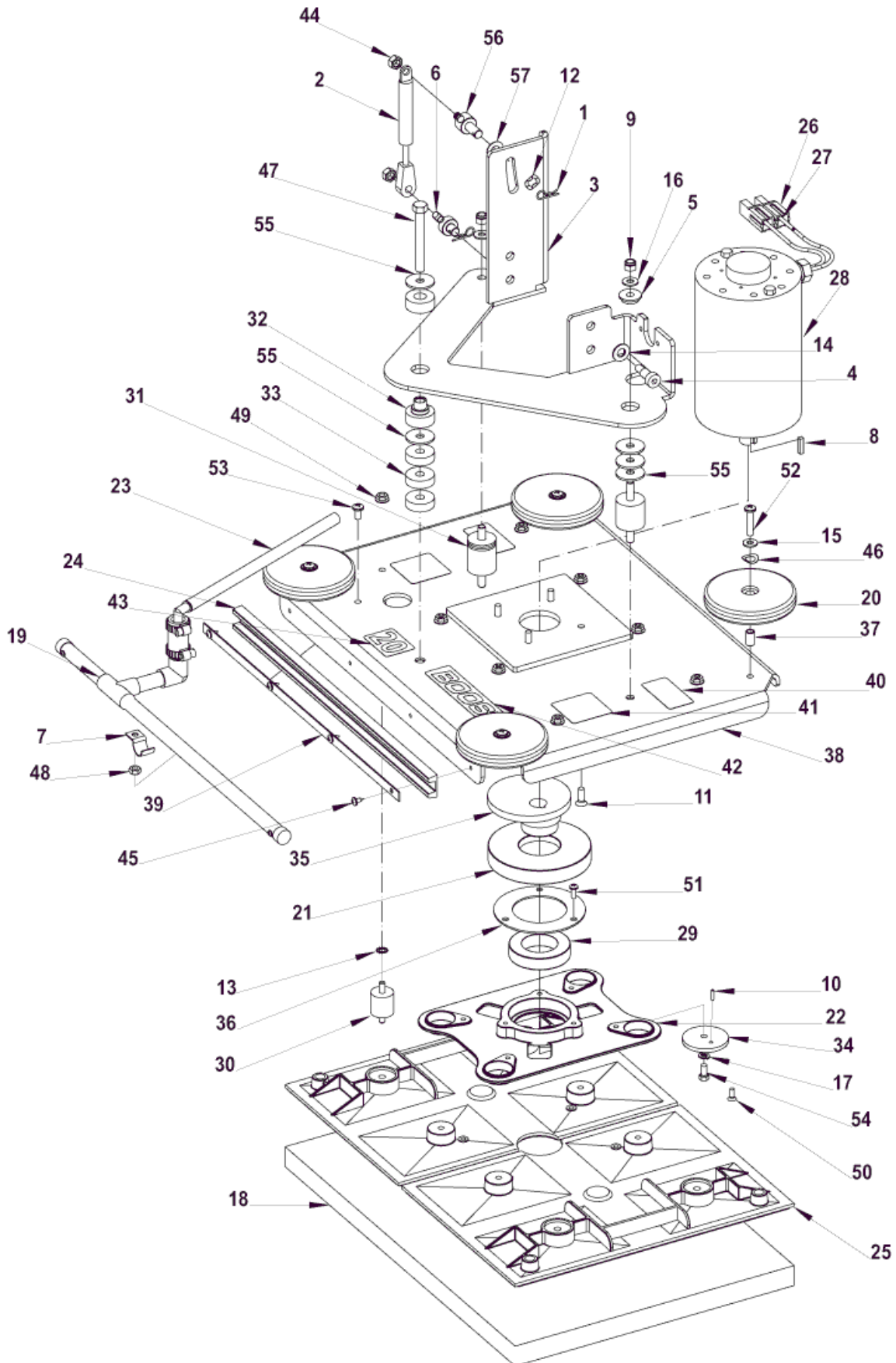
Brush system BOOST5

SCRUBTEC 545B-545BL-553B-553BL-BOOST5

30-03-2015

StyMiste ID
SCRUBTEC545B14

25



Brush system BOOST5

SCRUBTEC 545B-545BL-553B-553BL-BOOST5

30-03-2015

StyMiste ID
SCRUBTEC545B14

26

Pos	Vare nr.	Ant	Beskrivelse	
1	145 8564 000	2	Saxpinne	
2	909 5637 000	1	Gas Fjeder	
3	909 6485 000	1	Plate Deck Brush Holder	
4	909 6495 000	1	SCREW SHOUL 10X16 M8 ISO7379 GEOMET 320A	
5	909 6513 000	1	BUSH FLANGED	
6	909 6516 000	1	PIN LOWER	
7	782002	2	CLAMP-MANIFOLD RM-10	
8	915082	1	Key 3/16 X 3/16 X 3/4 Lg	
9	920110	2	Møtrik	
10	925589	1	PIN ROLL - 1/8 X 1/2	
11	962098	4	Screw 1/4 -20X 3/4 FI*S T	
12	980022	1	WASHER WAVE	
13	980614	8	Washer Lk 1/4 Ext Toothpl	
14	980645	1	WASHER 3/8 FLAT SAE	
15	980646	4	WASHER 1/4 SAE FLAT PLTD	
16	980651	2	Washer, 5/16 Sae Flat	
17	980657	1	WASHER LOCK 1/4 STD	
18	997020	1	Pad rød BOOST 510x356 mm (5 stk.)	
19	11175A	1	TUBE ASM DRIP 20	
20	30048A	4	Hjul	
21	56380246	1	Kit Eccentric & Shield	includes position 35
22	30663A	1	PLATE DRIVER	
23	30786A	1	HOSE VINYL 3/8 X 23	
24	38741A	1	BUMPER 17	
25	56383377	2	KIT FLEX PLATE 20	
26	40645A	2	Connecterhus	
27	40657A	2	CONNECTOR CONTACT	
28	56390072	1	MOTOR 24VDC	
29	50736A	1	BEARINGBALL OBS-18 6008	
30	56380236	1	ISOLATOR KIT BOOST 20	SEE TSB- CL2010-12
31	54445A	2	Isolator Stud Mount	
32	54446A	1	UNIVERSAL MOUNT ASSY	
33	54641A	3	SPACER NYLON 1.25 OD	
34	61724A	1	RETAINER ECCENTRIC	
35	61753B	1	ECCENTRIC BOOST	REPLACED BY: 56380246 - SEE TSB - CL2010-12
36	61775A	1	RETAINER BEARING	
37	61782A	4	SLEEVE GUIDE WHEEL	
38	56381722	1	PLATE WELDT BOOST 20	
39	61911A	1	RETAINER BUMPER 17	
40	71017A	2	Label Moving Parts	
41	71192A	2	LABEL NO STEP	
42	56381702	1	LABEL BOOST	
43	71458A	1	LABEL BOOST 20	

position 35: not more available as single spare

Brush system BOOST5

SCRUBTEC 545B-545BL-553B-553BL-BOOST5

30-03-2015

StyMiste ID
SCRUBTEC545B14

27

Pos	Vare nr.	Ant	Beskrivelse
44	80198A	2	Nut M8 1.25 Hex Nylon S.S .
45	80296A	4	SCREW 10-24 X 3/8 PHCR TYPE 23
46	80317A	4	WASHER BOWED .455 ID X .740 OD
47	80379A	1	SCREW 3/8-16 X 3 HHCS
48	81217A	6	NUT 1/4 20 X .218H NYLOCK
49	81220A	8	Nutex Serr Flange 1/4 20
50	84236B	4	Screw 10 32X1/2 Flatd Ss
51	84237A	3	Screw,10-32 X 1/2 Pan Hd Ss
52	85301A	4	Scr 1/4 -20X1&1/4 Pn*Ss Mach
53	85395A	2	SCREW 1/4 20 X 1/2 PAN HD SS
54	85737A	1	SCREW 1/4-20 X 5/8 HEX HD SS
55	87054A	8	WASHER FENDER .375
56	88638A	1	PIN GAS SPRING UPPER
57	88639A	1	WASHER NYLON .75X.406X.032

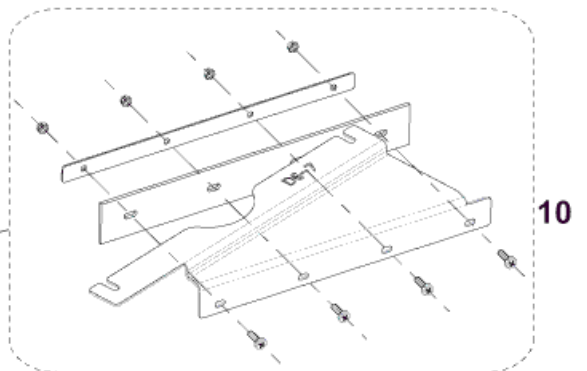
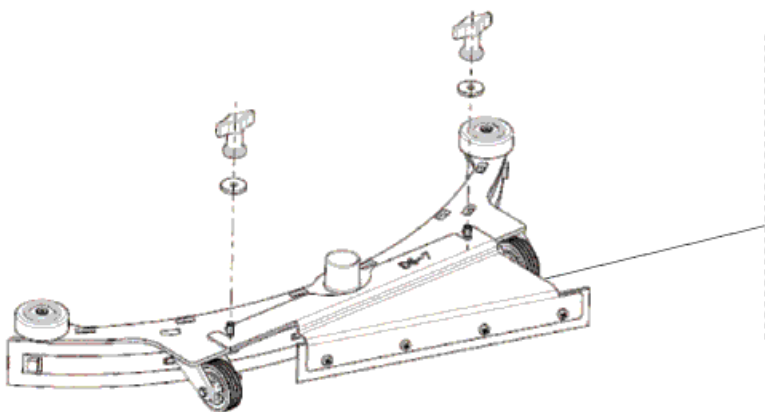
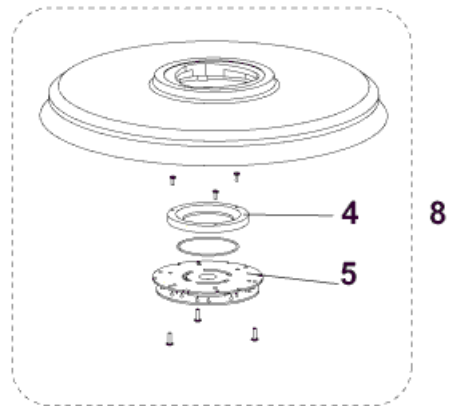
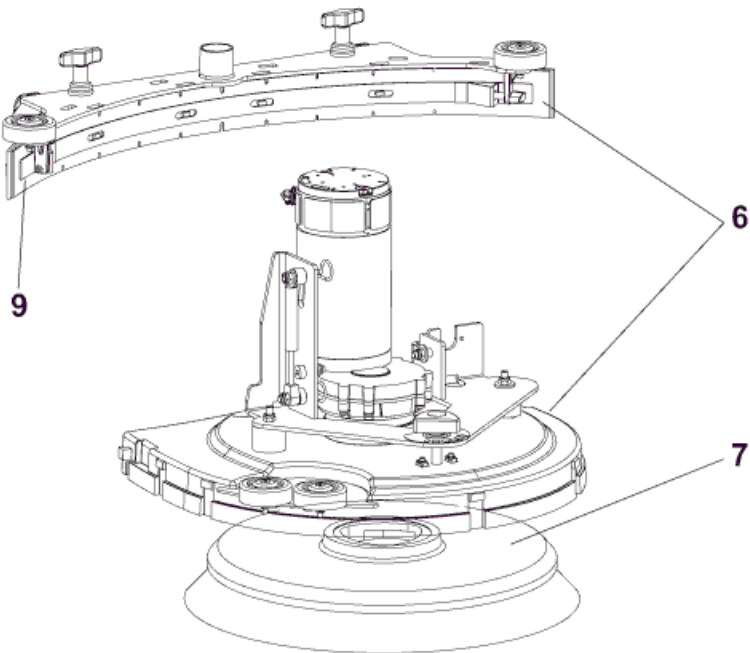
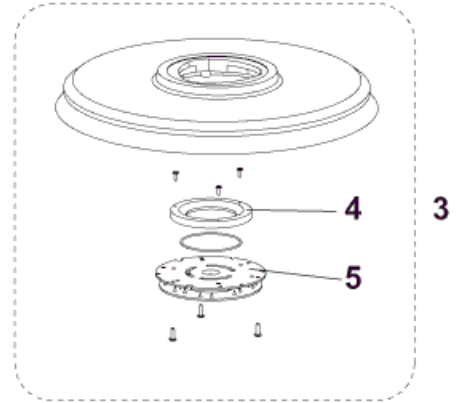
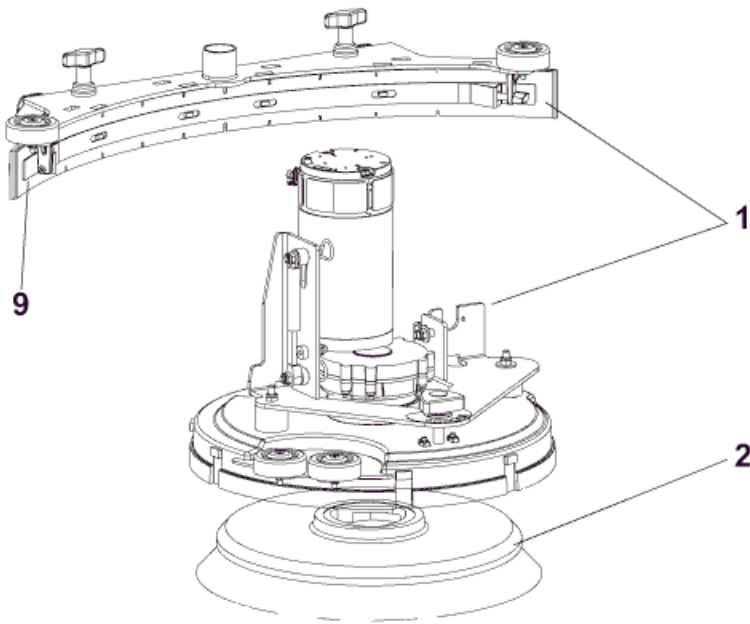
Tilbehør 1

SCRUBTEC 545B-545BL-553B-553BL-BOOST5

30-03-2015

StyMiste ID
SCRUBTEC545B15

28



Tilbehør 1

SCRUBTEC 545B-545BL-553B-553BL-BOOST5

30-03-2015

StyMiste ID
SCRUBTEC545B15

29

Pos	Vare nr.	Ant	Beskrivelse
0	909 6858 000	1	Sugegummi kit poly urethan 29" 740 mm
0	9098854000	1	Elbow 90. Suct. Hose Kit Black TSB IT 2010-061
0	9100000279	1	Sugegummi kit sværtfri 29" 740 mm
1	9097180000	1	DECK BRUSH 450MM/18 W/SQUEEGEE KIT
2	L08837020	1	Børste Prolene 17,5" Ø450 mm
2	L08837021	1	Børste Prolite 17,5" Ø450 mm
2	L08837022	1	Børste Union Mix Ø450 mm COMPLEXITY REDUCTION
2	L08837023	1	Børste, Sica 450 Mm COMPLEXITY REDUCTION
2	L08837024	1	Børste, Midgrit 240 450 Mm COMPLEXITY REDUCTION
3	9099668000	1	Rondelholder 17" Ø432 mm
3	L08837017	1	Rondelholder 18" Ø450 mm
4	L08603966	1	Ring Nylon
5	56505195	1	Rondellås Lynkobling
6	9097181000	1	DECK BRUSH 530MM/21 KIT W.SQU.
7	L08837025	1	Børste Prolene 21" Ø530 mm
7	L08837026	1	Børste Prolite 21" Ø530 mm
7	L08837027	1	Børste Union Mix 21" Ø530 mm
7	L08837028	1	Børste Midlite Grit 240 21" Ø530 mm
7	L08837029	1	Børste Clean Grit 21" Ø530 mm
7	L08837065	1	Børste Magna Grit 46 21" Ø530 mm
7	L08837066	1	Børste Dyna Grit 80 21" Ø530 mm
7	L08837067	1	Børste Aglite Grit 500 21" Ø530 mm
8	9099671000	1	Rondelholder 20" Ø508 mm Velcro
8	L08837018	1	Rondelholder 21" Ø530 mm
9	909 6851 000	1	Sugefod, komplet
9	L08603878	1	Squeegee Komp.Ba450/530
10	9098343000	1	Tredje Sugelæbe Kit 451/531 551/611 Accessory - INSTR. 9098337000

Tilbehør 2

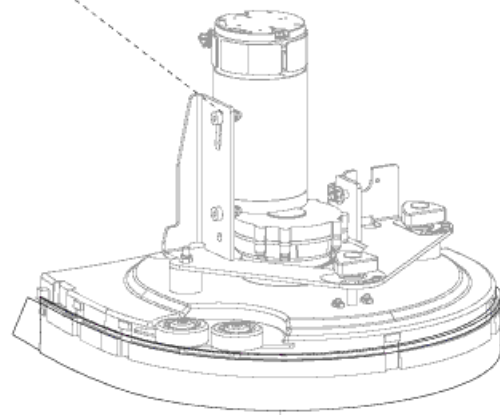
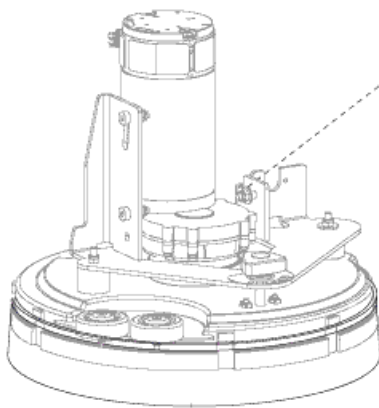
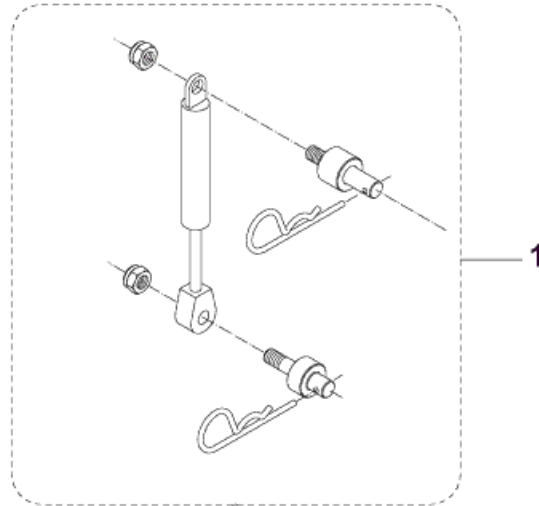
SCRUBTEC 545B-545BL-553B-553BL-BOOST5

30-03-2015

StyMiste ID
SCRUBTEC545B16

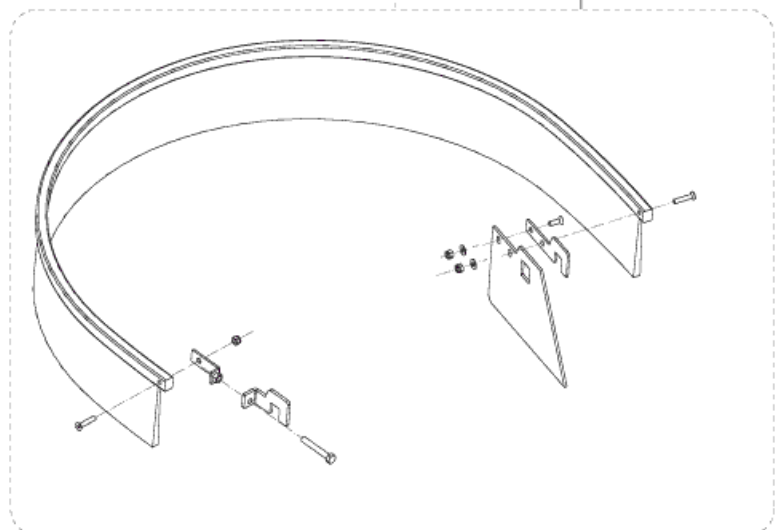
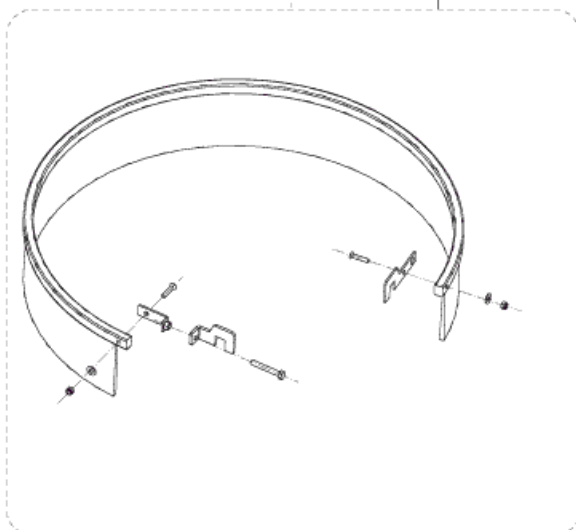
30

EXTRA PRESSURE KIT (SCRUBTEC 545 B - SCRUBTEC 553 B)



2

3



**SPLASH GUARD 17" KIT
(SCRUBTEC 545 B / SCRUBTEC 545 BL)**

**SPLASH GUARD 20" KIT
(SCRUBTEC 553 B / SCRUBTEC 553 BL)**

Tilbehør 2

SCRUBTEC 545B-545BL-553B-553BL-BOOST5

30-03-2015

StyMiste ID
SCRUBTEC545B16

31

Pos	Vare nr.	Ant	Beskrivelse	
1	9097185000	1	Ekstra børstetryk kit, 10 kg	Accessory - INSTR. 909 6759 000
2	909 6737 000	1	Børsteinddækningssæt 450 mm	Accessory - INSTR. 909 6745 000
3	909 6736 000	1	Børsteinddækningssæt 530 mm	Accessory - INSTR. 909 6745 000

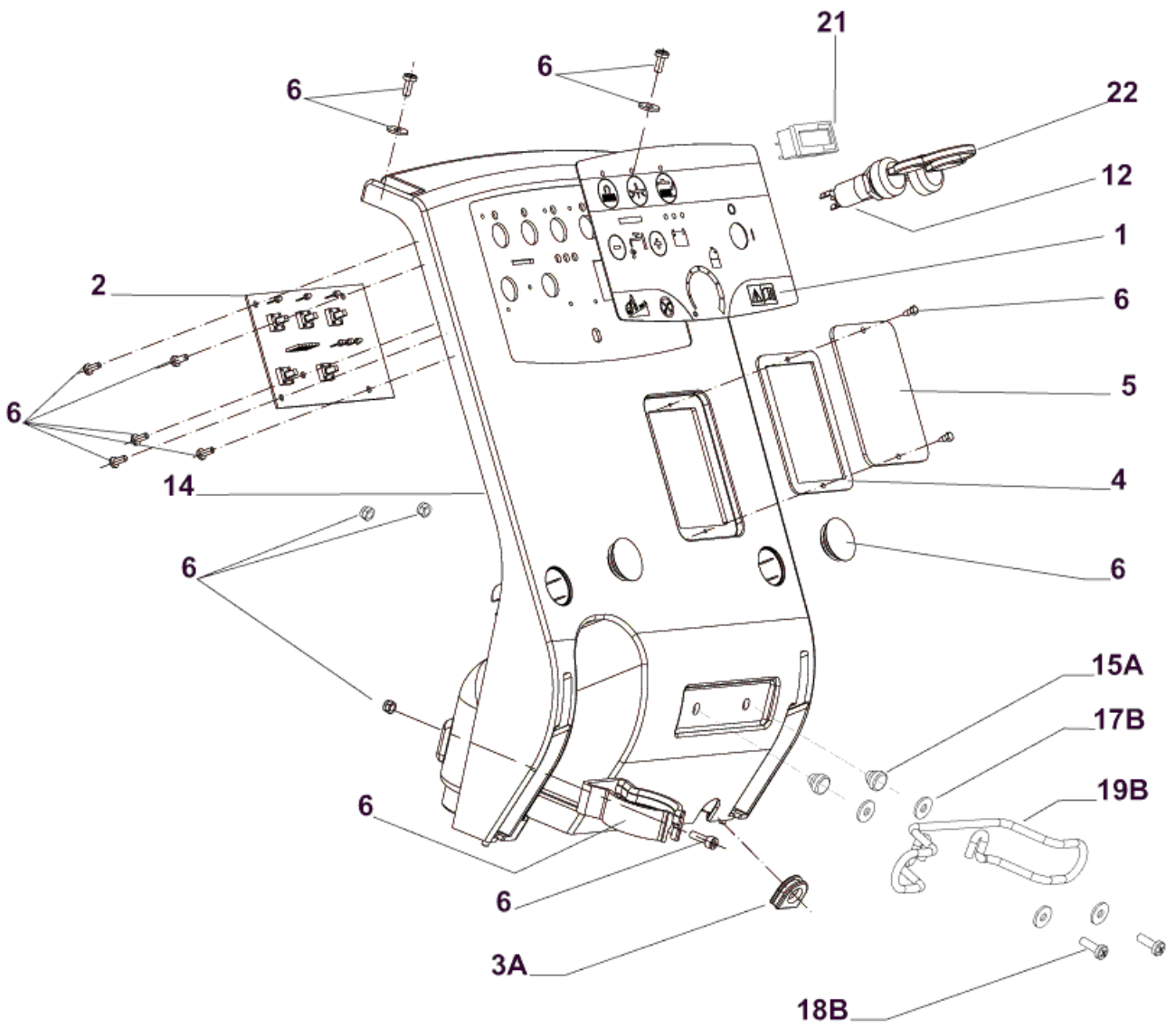
Control panel system

SCRUBTEC 545B-545BL-553B-553BL-BOOST5

30-03-2015

StyMiste ID
SCRUBTEC545B19

32



Control panel system

SCRUBTEC 545B-545BL-553B-553BL-BOOST5

30-03-2015

Styliste ID
SCRUBTEC545B19

33

Pos	Vare nr.	Ant	Beskrivelse	
0	145 8368 000	2	Säkring	
0	909 6678 000	1	FUSE 20A GLASS DELAYED	
1	9097025000	1	Decal Control Panel	TSB IT 2009-025
2	9100000176	1	Print	
4	909 6545 000	1	GASKET	
6	9098302000	1	Hardware Control Panel Ki T	
12	146 2888 000	1	Tændingsnøgle	
14	9098123000	1	Cover El.Comp.Blue Kit	
21	9096951000	1	Timetæller kit, 24 V	Accessory - INSTR. 9096952000
22	146 2887 000	1	Nøgle (2 Pcs) Ba510Sd	
3A	909 6542 000	1	GROMMET	WITHOUT BATTERY CHARGER ON BOARD
5A	9100001065	1	COVER F INSPECTION PLATE BLACK PKD	WITHOUT BATTERY CHARGER ON BOARD
15A	909 6553 000	2	FEET RUBBER	WITHOUT BATTERY CHARGER ON BOARD
17B	145 1261 000	4	Plain Washer 5X15 Zn	WITH BATTERY CHARGER ON BOARD
18B	146 2090 000	2	SCREW M5X16 PAN HD PHIL ISO7045	WITH BATTERY CHARGER ON BOARD
19B	1466317000	1	SUPPORT CABLE KIT	WITH BATTERY CHARGER ON BOARD

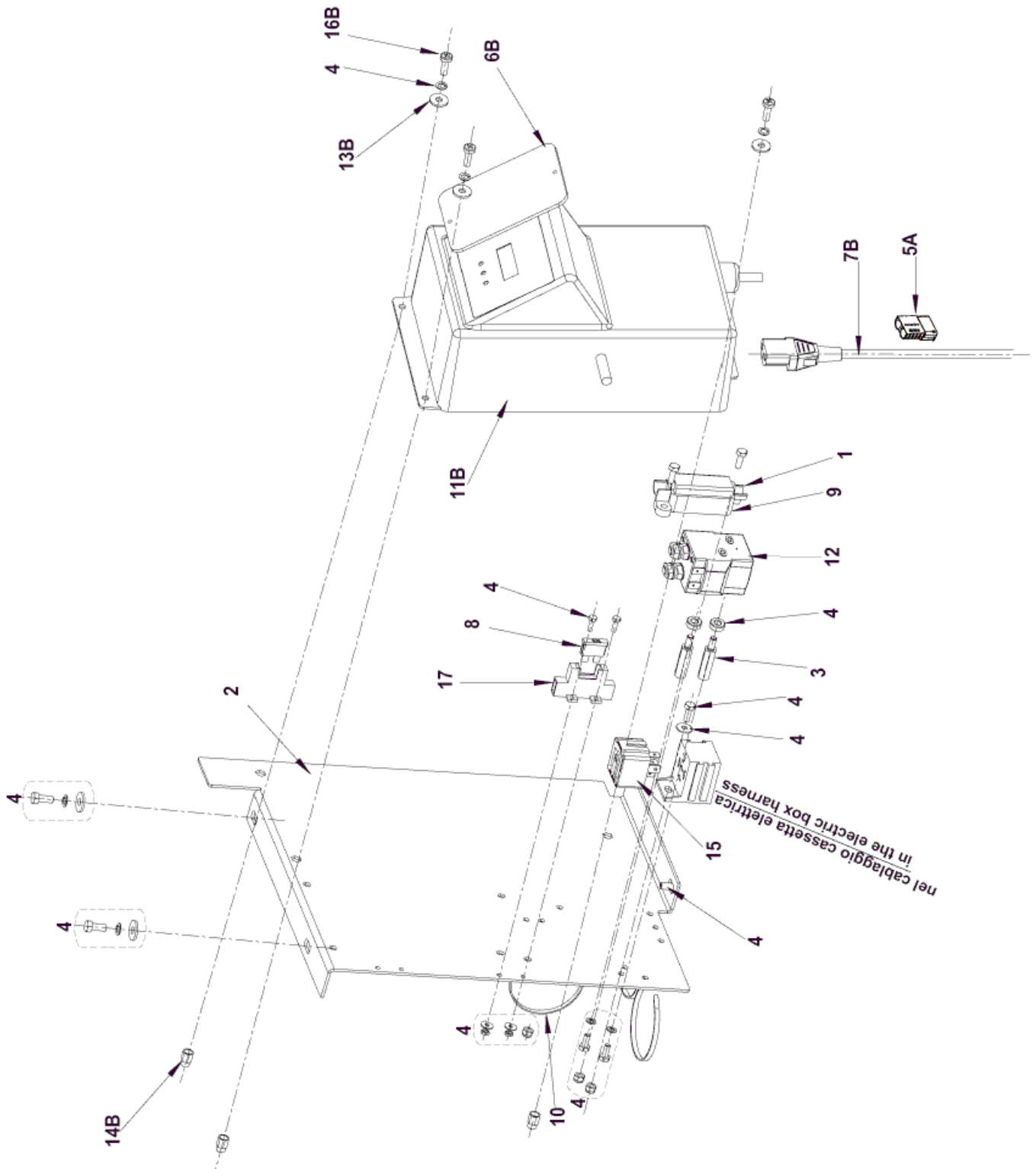
Electrical components 545B-533B

SCRUBTEC 545B-545BL-553B-553BL-BOOST5

30-03-2015

StyMiste ID
SCRUBTEC545B20

34



Electrical components 545B-533B

SCRUBTEC 545B-545BL-553B-553BL-BOOST5

30-03-2015

StyMiste ID
SCRUBTEC545B20

35

Pos	Vare nr.	Ant	Beskrivelse	
0	909 6618 000	1	Harness Battery	
0	909 6840 000	1	HARNESS VACUUM MOTOR	
0	9097034000	1	Harness Electric Box	
0	9097036000	1	HARNESS HANDLE BAR	
0	9097039000	1	HARNESS MACHINE	
0	9097590000	1	Batteri Kabel	
1	145 8046 000	1	Säkeringshållare	
2	909 6498 000	1	SUPPORT ELECTRIC COMP.	
3	909 6676 000	2	SPACER M4 L25	
4	9098303000	1	HARDWARE ELECTRIC SYSTEM KIT	
8	145 8513 000	1	Sikring 30A	
9	145 3824 000	1	Sikring 40A,Bladsikring	
10	145 1449 000	3	TIE CABLE 3.6x140 BLACK	
12	9097209000	1	Switch Electromagnetic 24V	
15	909 6622 000	1	Relæ 24V 40A	
17	146 0660 000	2	Holder Fuse	
5A	9098762000	1	Ladestik, Rød 120 A	WITHOUT BATTERY CHARGER ON BOARD
6B	9100001064	1	COVER F INSPECTION PLATE TRANSP. PKD	WITH BATTERY CHARGER ON BOARD
7B	909 5676 000	1	CABLE EXTENSION UK PLUG L.1000MM	WITH BATTERY CHARGER ON BOARD
7B	9100000790	1	CABLE EXTENSION EU PLUG L.1000MM PKD	WITH BATTERY CHARGER ON BOARD
11B	9098297000	1	Lader (Indbygget) 24V 13A	WITH BATTERY CHARGER ON BOARD
13B	33005912	3	WASHER M5 UNI6592	WITH BATTERY CHARGER ON BOARD
14B	145 6132 000	3	INSERT M5	WITH BATTERY CHARGER ON BOARD
16B	146 1711 000	3	SCREW M5X20 PAN HD PHIL ISO7045	WITH BATTERY CHARGER ON BOARD

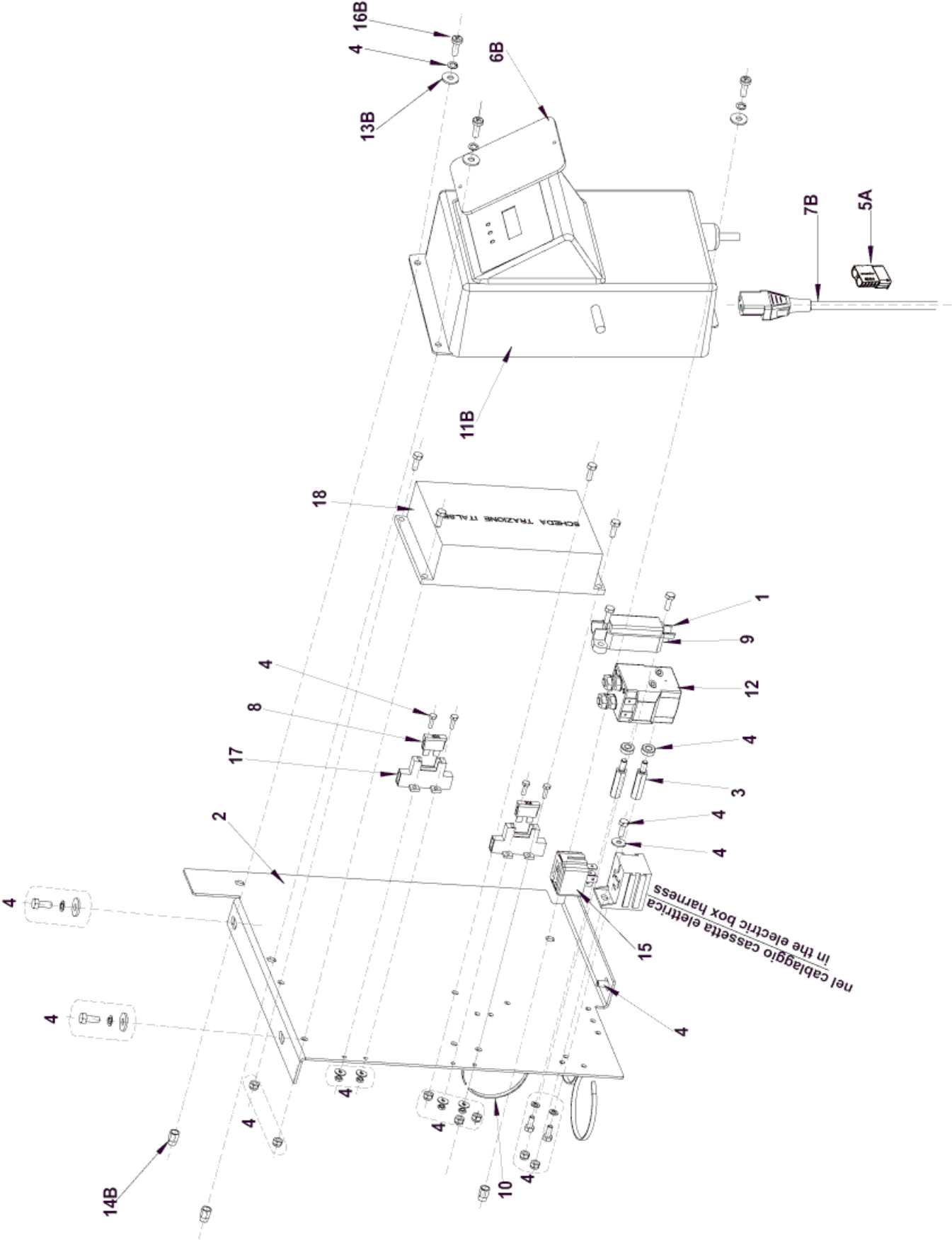
Electrical components 545BL-533BL-BOOST

30-03-2015

StyMiste ID
SCRUBTEC545B21

SCRUBTEC 545B-545BL-553B-553BL-BOOST5

36



Electrical components 545BL-533BL-BOOST

SCRUBTEC 545B-545BL-553B-553BL-BOOST5

30-03-2015

StyMiste ID
SCRUBTEC545B21

37

Pos	Vare nr.	Ant	Beskrivelse	
0	909 6618 000	1	Harness Battery	
0	909 6840 000	1	HARNESS VACUUM MOTOR	
0	9096964000	1	HARNESS ELECTRIC BOX	
0	9096972000	1	Harness Machine	
0	9097035000	1	HARNESS HANDLE BAR	
0	9097590000	1	Batteri Kabel	
0	9098263000	1	Harness Machine	
1	145 8046 000	1	Säkeringshållare	
2	909 6498 000	1	SUPPORT ELECTRIC COMP.	
3	909 6676 000	2	SPACER M4 L25	
4	9098303000	1	HARDWARE ELECTRIC SYSTEM KIT	contains all Hardware shown in this system
8	145 8513 000	1	Sikring 30A	
9	145 3824 000	1	Sikring 40A,Bladsikring	
10	145 1449 000	3	TIE CABLE 3.6x140 BLACK	
12	9097209000	1	Switch Electromagnetic 24V	
15	909 6622 000	1	Relæ 24V 40A	
17	146 0660 000	2	Holder Fuse	
18	9100000173	1	CARD ELECTRONIC TRACTION KIT	
5A	9098762000	1	Ladestik, Rød 120 A	WITHOUT BATTERY CHARGER ON BOARD
6B	9100001064	1	COVER F INSPECTION PLATE TRANSP. PKD	WITH BATTERY CHARGER ON BOARD
7B	909 5676 000	1	CABLE EXTENSION UK PLUG L.1000MM	WITH BATTERY CHARGER ON BOARD
7B	9100000790	1	CABLE EXTENSION EU PLUG L.1000MM PKD	WITH BATTERY CHARGER ON BOARD
11B	9098297000	1	Lader (Indbygget) 24V 13A	WITH BATTERY CHARGER ON BOARD
13B	33005912	3	WASHER M5 UNI6592	WITH BATTERY CHARGER ON BOARD
14B	145 6132 000	3	INSERT M5	WITH BATTERY CHARGER ON BOARD
16B	146 1711 000	3	SCREW M5X20 PAN HD PHIL ISO7045	WITH BATTERY CHARGER ON BOARD

Battery charger accessory kit

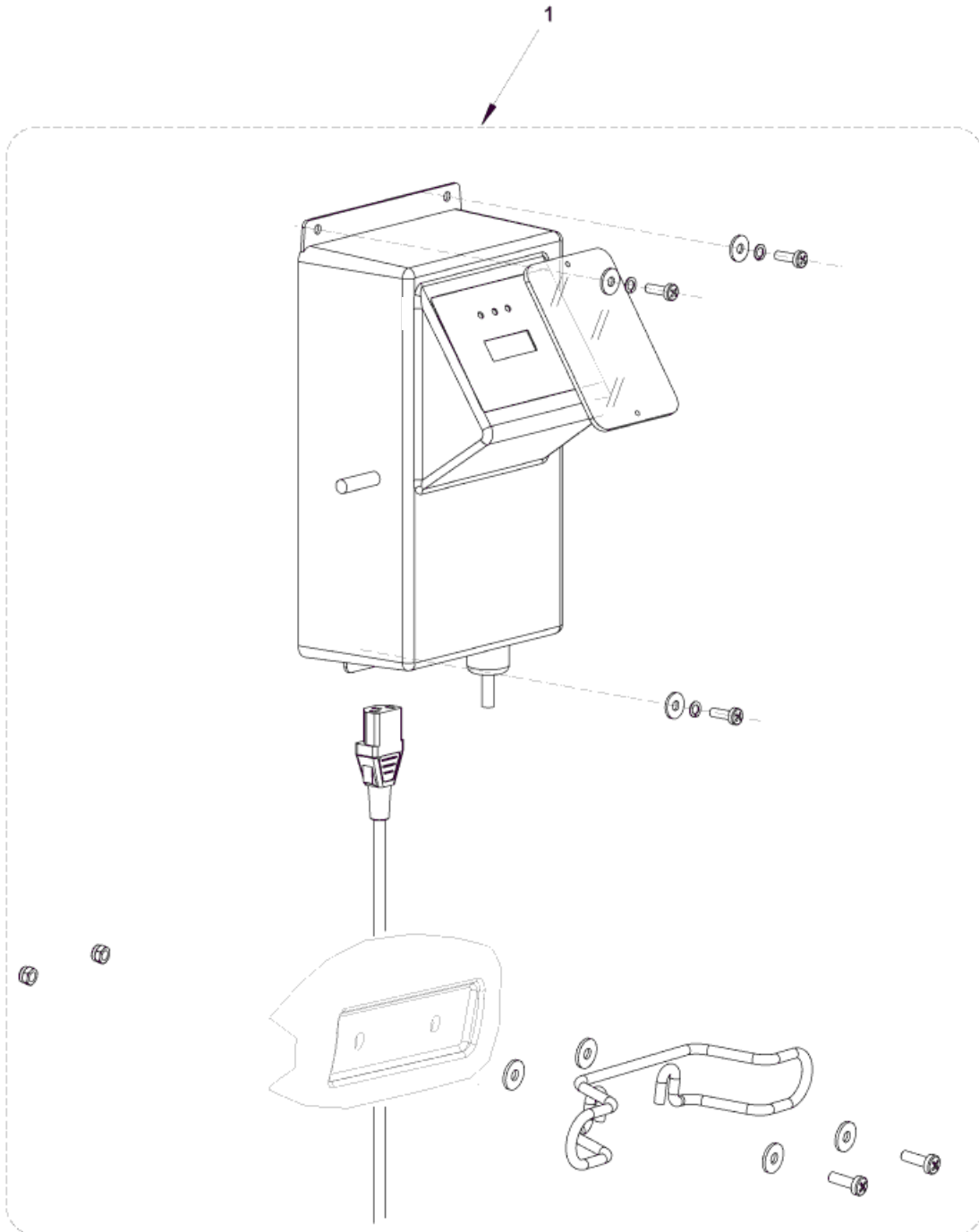
SCRUBTEC 545B-545BL-553B-553BL-BOOST5

30-03-2015

StyMiste ID
SCRUBTEC545B22

38

KIT CARICABATTERIA - BATTERY CHARGER KIT



Battery charger accessory kit

SCRUBTEC 545B-545BL-553B-553BL-BOOST5

30-03-2015

StyMiste ID
SCRUBTEC545BZZ

39

Pos	Vare nr.	Ant	Beskrivelse
1	909 6739 000	1	Indbygget oplader kit Accessory - INSTR. 909 6746 000

Chemical mixing accessory kit

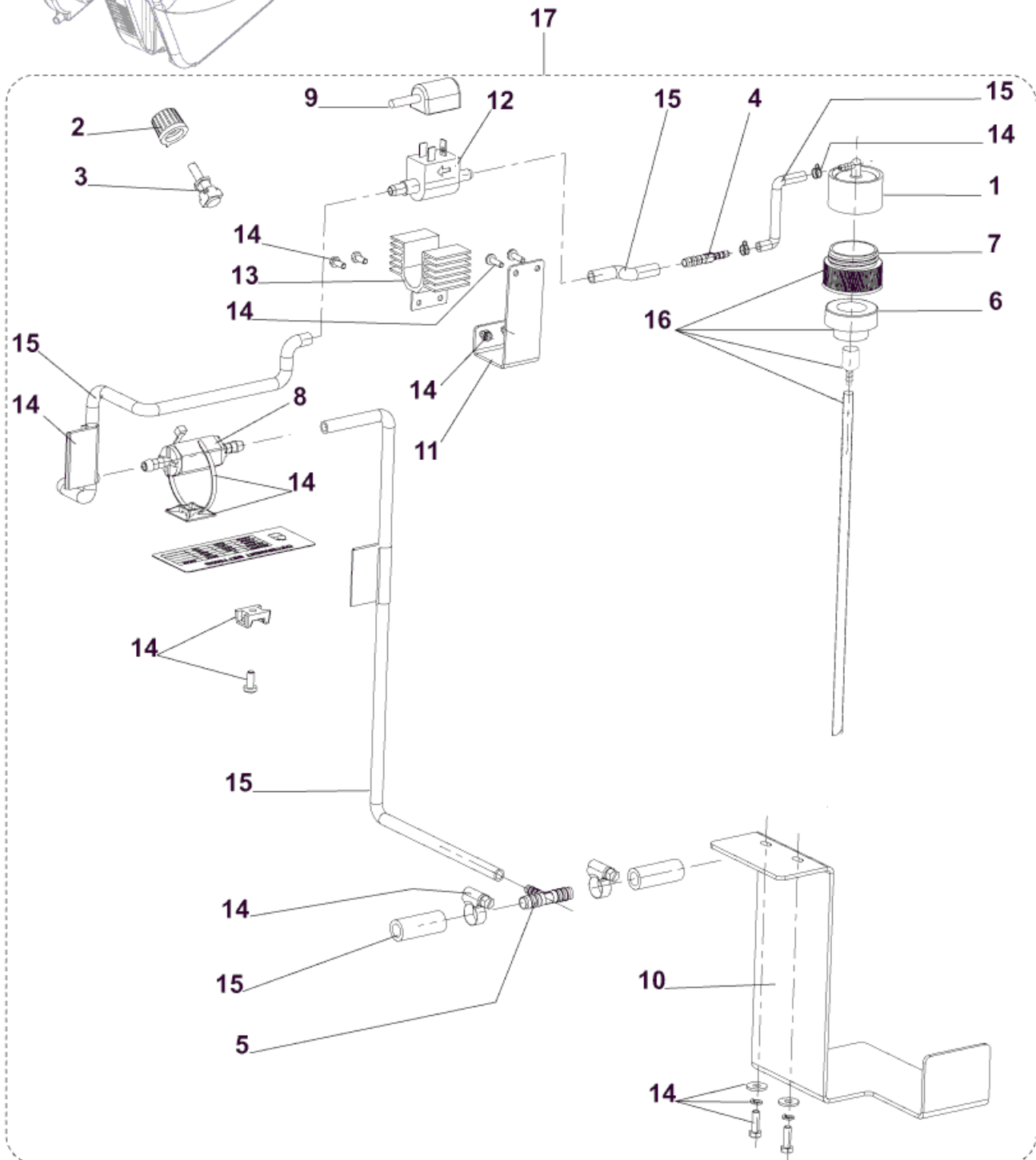
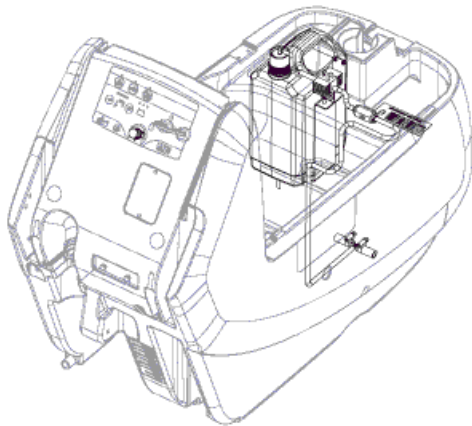
SCRUBTEC 545B-545BL-553B-553BL-BOOST5

30-03-2015

StyMiste ID
SCRUBTEC545B23

40

CHEMICAL MIXING SYSTEM



Chemical mixing accessory kit

SCRUBTEC 545B-545BL-553B-553BL-BOOST5

30-03-2015

StyMiste ID
SCRUBTEC545BZ3

41

Pos	Vare nr.	Ant	Beskrivelse
0	9097041000	1	HARNESS CHEMICAL PUMP
1	56315523	1	Låg Ecoflex Beholder Lille
2	145 4719 000	1	Knop For Potentiometer
3	909 6076 000	1	Potentiometer
4	909 6090 000	1	HOLDER RUBBER STRAIGHT
5	909 6092 000	1	HOLDER RUBBER T
6	9097022000	1	Niveauføler
7	9097023000	1	Adapter For Reng. Tank
8	9097030000	1	VALVE ONE-WAY 1/4
9	9097041000	1	HARNESS CHEMICAL PUMP
10	9097082000	1	BRACKET CHEMICAL TANK
11	9097161000	1	BRACKET PUMP SUPPORT
12	53721A	1	Kemipumpe
13	61772A	1	BRACKET CHEMICAL PUMP
14	9098331000	1	HARDWARE CHEMICAL MIXING KIT
15	9097174000	1	HOSES CHEMICAL MIX KIT
16	9098025000	1	Detergent Adapter Kit Passer Til Std Kem
17	9097163000	1	Sæbe-mix-system

Accessory - INSTR. 9097162000

ANBEFALEDE RESERVEDELE

SCRUBTEC 545B-545BL-553B-553BL-BOOST5

30-03-2015

StyMiste ID
SCRUBTEC545B24

42

Ingen tegning

ANBEFALEDE RESERVEDELE

SCRUBTEC 545B-545BL-553B-553BL-BOOST5

30-03-2015

StyMiste ID
SCRUBTEC545B24

43

Pos	Vare nr.	Ant	Beskrivelse	
1	9098265000	1	Mont.Sæt F. Rentv andstank	SCRUBTEC 545B - 545BL - 553B - 553BL - BOOST 5
2	909 6874 000	1	Cable Tank Kit	SCRUBTEC 545B - 545BL - 553B - 553BL - BOOST 5
3	9097296000	1	HOSE CLEAN WATER	SCRUBTEC 545B - 545BL - 553B - 553BL - BOOST 5
4	L08812457	1	Cap Tank	SCRUBTEC 545B - 545BL - 553B - 553BL - BOOST 5
5	9099853000	1	HOSE SQUEEGEE VACUUM BLACK KIT	SCRUBTEC 545B - 545BL - 553B - 553BL - BOOST 5
6	9099166000	1	Aftapningssslange	SCRUBTEC 545B - 545BL - 553B - 553BL - BOOST 5
7	L08812259	1	Kompl.Flyder F.Ba450/530 F.BA 450/530	SCRUBTEC 545B - 545BL - 553B - 553BL - BOOST 5
8	L08812373	1	Float Ball F.BA 450/530	SCRUBTEC 545B - 545BL - 553B - 553BL - BOOST 5
9	9097724000	1	Holder For Niveaumåler	SCRUBTEC 545B - 545BL - 553B - 553BL - BOOST 5
10	145 0543 000	1	Passring	SCRUBTEC 545B - 545BL - 553B - 553BL - BOOST 5
11	909 5371 000	1	Kul, Sugemotor 410/343	SCRUBTEC 545B - 545BL - 553B - 553BL - BOOST 5
12	9098231000	1	Carbon Brush Kit 2Pcs	SCRUBTEC 545B - 545BL - 553B - 553BL - BOOST 5
13	909 6491 000	1	Panel Acoustic Insulation	SCRUBTEC 545B - 545BL - 553B - 553BL - BOOST 5
14	9096918000	1	Gasket. Vacuum Motor	SCRUBTEC 545B - 545BL - 553B - 553BL - BOOST 5
15	909 6672 000	1	Filter	SCRUBTEC 545B - 545BL - 553B - 553BL - BOOST 5
16	909 6876 000	1	Hardware Cage Sup.Fix.Kit	SCRUBTEC 545B - 545BL - 553B - 553BL - BOOST 5
17	909 6877 000	1	Hardware Motor Fixing Kit	SCRUBTEC 545B - 545BL - 553B - 553BL - BOOST 5
18	9099028000	2	Wheel Castor W/Hardw.Kit	SCRUBTEC 545BL - 553BL - BOOST 5
19	9099028000	2	Wheel Castor W/Hardw.Kit	SCRUBTEC 545B - 553B
20	909 6878 000	1	Hardware Chas. Fixing Kit	SCRUBTEC 545B - 545BL - 553B - 553BL - BOOST 5
21	909 6548 000	1	Køremotor 200W 24V Ba450/551/611	SCRUBTEC 545BL - 553BL - BOOST 5
22	145 5124 000	1	Kul F. Aw 455 Børstemotor	SCRUBTEC 545BL - 553BL - BOOST 5
23	9099693000	1	WHEELS KIT	SCRUBTEC 545BL - 553BL TILL S/N
24	9097032000	1	Træk hjul, olieresistente, Ø200 mm	SCRUBTEC BOOST 5
25	9099743000	1	WHEELS FRONT D.200 KIT	SCRUBTEC 545B - 553B
26	9097043000	1	Potentiometer Scrubtex 661Bd	SCRUBTEC 545BL - 553BL - BOOST 5
27	9098330000	1	HARDWARE HANDLE SYSTEM KIT	SCRUBTEC 545B - 545BL - 553B - 553BL - BOOST 5
28	9097166000	1	Filter Complete Kit	SCRUBTEC 545B - 545BL - 553B - 553BL
29	9097170000	1	Pipes Solenoid Valve Kit	SCRUBTEC 545B - 545BL - 553B - 553BL
30	909 6555 000	1	Solenoid Valve 24V	SCRUBTEC 545B - 545BL - 553B - 553BL
31	910000106	1	HOLDER RUBBER 1/2 FEMALE KIT	SCRUBTEC 545B - 545BL - 553B - 553BL
32	909 6055 000	1	Holder For Sugegummi	SCRUBTEC 545B - 545BL - 553B - 553BL - BOOST 5
33	909 6044 000	1	"Sugefod 30" Kun Metaldel "	SCRUBTEC 545B - 545BL - 553B - 553BL - BOOST 5
34	9097637000	1	Monteringskrue (2 Stk)	SCRUBTEC 545B - 545BL - 553B - 553BL - BOOST 5
35	9100000791	1	KNOB M8X30 THD STUD SS PKD	SCRUBTEC 545B - 545BL - 553B - 553BL - BOOST 5
38	909 6851 000	1	Sugefod, komplet	SCRUBTEC 545B - 545BL - 553B - 553BL - BOOST 5
39	909 6882 000	1	Skinnekit	SCRUBTEC 545B - 545BL - 553B - 553BL - BOOST 5
40	909 6883 000	1	Hjul For Squeegeerkit	SCRUBTEC 545B - 545BL - 553B - 553BL - BOOST 5
41	909 6884 000	1	Påkørselshjul, Kit	SCRUBTEC 545B - 545BL - 553B - 553BL - BOOST 5
42	909 6885 000	1	Squeegeer Justeringskit Ba451-551	SCRUBTEC 545B - 545BL - 553B - 553BL - BOOST 5
43	909 6394 000	1	Latch Squeegee Kit	SCRUBTEC 545B - 545BL - 553B - 553BL - BOOST 5
44	9097176000	1	DECK BRUSH 450MM/18 KIT	SCRUBTEC 545BL
45	9097177000	1	Børstehoved, komplet	SCRUBTEC 545BL

POSITION 36-37: 909 6483 000 - 909 6484 000 INCLUDED IN THE KIT 909 6860 000

POSITION 23 9098039000 REPLACED BY THE KIT 9099693000 FOR MACHINE BEFORE SERIAL NUMBER

ANBEFALEDE RESERVEDELE

SCRUBTEC 545B-545BL-553B-553BL-BOOST5

30-03-2015

StyMiste ID
SCRUBTEC545B24

44

Pos	Vare nr.	Ant	Beskrivelse	
46	9097079000	1	DECK BRUSH BLACK 450 MM	SCRUBTEC 545B
47	9097078000	1	DECK BRUSH BLACK 530 MM	SCRUBTEC 545BL - 553B - 553BL
48	9098308000	1	Gearmotor 450W 24V	SCRUBTEC 545B - 545BL - 553B - 553BL
49	909 6355 000	1	Roller Bumper Kit	SCRUBTEC 545B - 545BL - 553B - 553BL
50	L08601624	1	Slangestuds Plast	SCRUBTEC 545B - 545BL - 553B - 553BL
51	9100000868	1	VIBRATION DAMPING M8 60SH 2 PCS SET	SCRUBTEC 545B - 545BL - 553B - 553BL
52	145 8564 000	1	Saxpinne	SCRUBTEC 545BL - 553BL
53	9099419000	1	Justeringssæt F. Børste	SCRUBTEC 545B - 545BL - 553B - 553BL
54	9097080000	1	SPRING GAS 100 N	SCRUBTEC 545BL - 553BL
55	56380236	1	ISOLATOR KIT BOOST 20	SCRUBTEC BOOST 5
56	54445A	1	Isolator Stud Mount	SCRUBTEC BOOST 5
57	54446A	1	UNIVERSAL MOUNT ASSY	SCRUBTEC BOOST 5
58	56383377	1	KIT FLEX PLATE 20	SCRUBTEC BOOST 5
59	11175A	1	TUBE ASM DRIP 20	SCRUBTEC BOOST 5
60	30663A	1	PLATE DRIVER	SCRUBTEC BOOST 5
61	56390072	1	MOTOR 24VDC	SCRUBTEC BOOST 5
62	50736A	1	BEARINGBALL OBS-18 6008	SCRUBTEC BOOST 5
63	61724A	1	RETAINER ECCENTRIC	SCRUBTEC BOOST 5
65	61775A	1	RETAINER BEARING	SCRUBTEC BOOST 5
66	40645A	1	Connecterhus	SCRUBTEC BOOST 5
67	40657A	1	CONNECTOR CONTACT	SCRUBTEC BOOST 5
68	9097025000	1	Decal Control Panel	SCRUBTEC 545B - 545BL - 553B - 553BL - BOOST 5
69	146 2888 000	1	Tændingsnøgle	SCRUBTEC 545B - 545BL - 553B - 553BL - BOOST 5
70	9100000176	1	Print	SCRUBTEC 545B - 545BL - 553B - 553BL - BOOST 5
71	145 8368 000	1	Säkring	SCRUBTEC 545B - 545BL - 553B - 553BL - BOOST 5
72	909 6678 000	1	FUSE 20A GLASS DELAYED	SCRUBTEC 545B - 545BL - 553B - 553BL - BOOST 5
73	9100000173	1	CARD ELECTRONIC TRACTION KIT	SCRUBTEC 545B - 545BL - 553B - 553BL - BOOST 5
74	9098762000	1	Ladestik, Rød 120 A	SCRUBTEC 545B - 545BL - 553B - 553BL - BOOST 5
75	9097209000	1	Switch Electromagnetic 24V	SCRUBTEC 545B - 545BL - 553B - 553BL - BOOST 5
76	909 6622 000	1	Relæ 24V 40A	SCRUBTEC 545B - 545BL - 553B - 553BL - BOOST 5
77	145 3824 000	1	Sikring 40A,Bladsikring	SCRUBTEC 545B - 545BL - 553B - 553BL - BOOST 5
78	145 8513 000	1	Sikring 30A	SCRUBTEC 545B - 545BL - 553B - 553BL - BOOST 5
79	9098297000	1	Lader (Indbygget) 24V 13A	ALL SCRUBTEC W/BATTERY CHARGER ON BOARD

POSITION 36-37: 909 6483 000 - 909 6484 000 INCLUDED IN THE KIT 909 6860 000

POSITION 23 9098039000 REPLACED BY THE KIT 9099693000 FOR MACHINE BEFORE SERIAL NUMBER

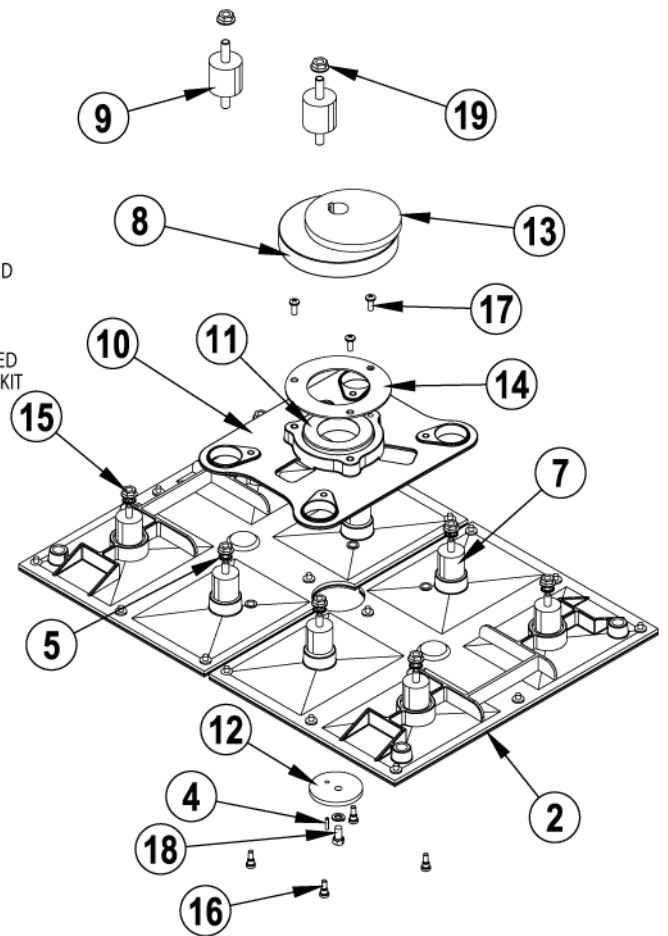
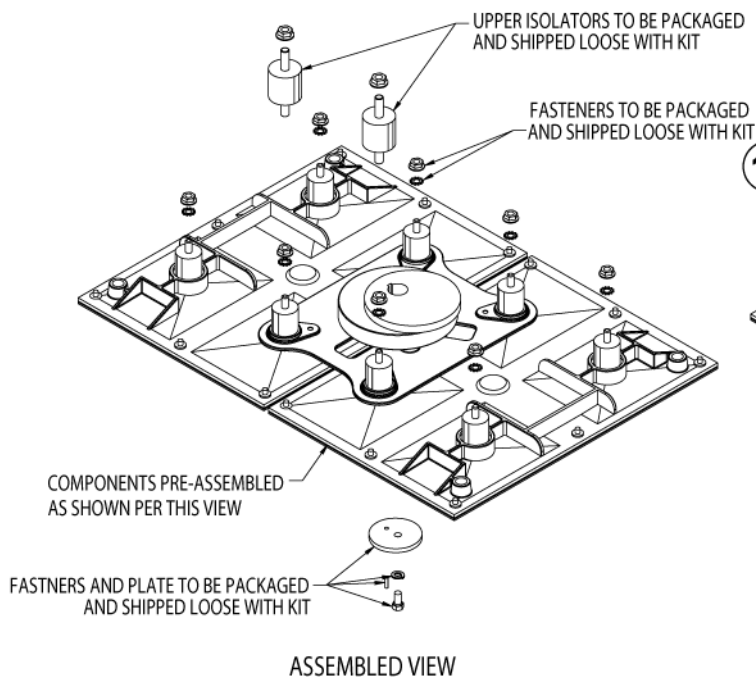
56380209 - Flex Plate 20 Kit

SCRUBTEC 545B-545BL-553B-553BL-BOOST5

30-03-2015

StyMiste ID
IS56090044

45



56380209 - Flex Plate 20 Kit

SCRUBTEC 545B-545BL-553B-553BL-BOOST5

30-03-2015

StyMiste ID
IS56090044

46

Pos	Vare nr.	Ant	Beskrivelse	
0	56383377	1	KIT FLEX PLATE 20	
2	56383374	2	FLEX PLATE ASSY 20	
3		1	NOTE COMMENT	Loctite 242 Compound Blue 0.5
4	925589	1	PIN ROLL - 1/8 X 1/2	
5	980614	8	Washer Lk 1/4 Ext Toothpl	
6	980657	1	WASHER LOCK 1/4 STD	
7	56380190	8	ISOLATOR-30 DURO 1/4-20	
8	56380192	1	Shield BOOST Bearing	TSB-CL2010-12
9	56380272	2	ISOLATOR-50 DURO 5/16-18	
10	30663A	1	PLATE DRIVER	EXPIRED USE 56381491
11	50736A	1	BEARINGBALL OBS-18 6008	
12	61724A	1	RETAINER ECCENTRIC	
13		1	NOTE COMMENT	ECCENTRIC BOOST
14	61775A	1	RETAINER BEARING	
15	81220A	8	Nutex Serr Flange 1/4 20	
16	56381989	4	BOLT-SHOULDER	
17	84237A	3	Screw,10-32 X 1/2 Pan Hd Ss	
18	85737A	1	SCREW 1/4-20 X 5/8 HEX HD SS	
19	81211A	2	NUT HEX SERRATED FLANGE 5/1	
K1	56380246	1	Kit Eccentric & Shield	Includes pos. 4, 8,13
K2	56380236	1	ISOLATOR KIT BOOST 20	Includes pos. 3, 5, 7, 9, 15, 19