

# BA551/BA551D/BA551CD/BA611D

---

Model:

BA 551 CD NIL

BA 551 D NIL

BA 551 NIL

BA 611 D NIL



Stykliste Dansk

16-01-2015

# Indholdsfortegnelse

BA551/BA551D/BA551CD/BA611D

|   |    |
|---|----|
| Opløsningstank                                | 3  |
| GENINDVINDINGSTANK                            | 5  |
| Chassissystem                                 | 7  |
| Wheels and traction                           | 9  |
| CHASSISSYSTEM BA 430S/510S                    | 11 |
| OPLØSNINGSSYSTEM                              | 13 |
| Squeegee system BA 551-551D-551CD             | 15 |
| Squeegee system BA 611D before s.no.082115832 | 17 |
| Squeegee system BA 611D after s.no.082115832  | 19 |
| Brush system BA 551                           | 21 |
| Brush system BA 551D                          | 23 |
| Brushes system BA 551CD                       | 25 |
| Brushes system BA 611D                        | 27 |
| Tilbehør                                      | 29 |
| Control panel system BA 551                   | 31 |
| Control panel system BA 551D-551CD-611D       | 33 |
| Electrical components BA 551                  | 35 |
| Electrical components BA 551D-551CD-611D      | 37 |
| Accessories BA 551-551D-611D                  | 39 |
| Accessories BA 551-551D-551CD-611D            | 41 |
| Accessories BA 551D-551CD- 611D               | 43 |
| Wiring diagram BA 551                         | 45 |
| Wiring diagram BA 551D-551CD-611D             | 47 |
| ANBEFALEDE RESERVEDELE                        | 49 |
| ANBEFALEDE RESERVEDELE                        | 51 |
| ANBEFALEDE RESERVEDELE                        | 53 |
| Tilbehør                                      | 55 |

# Opløsningstank

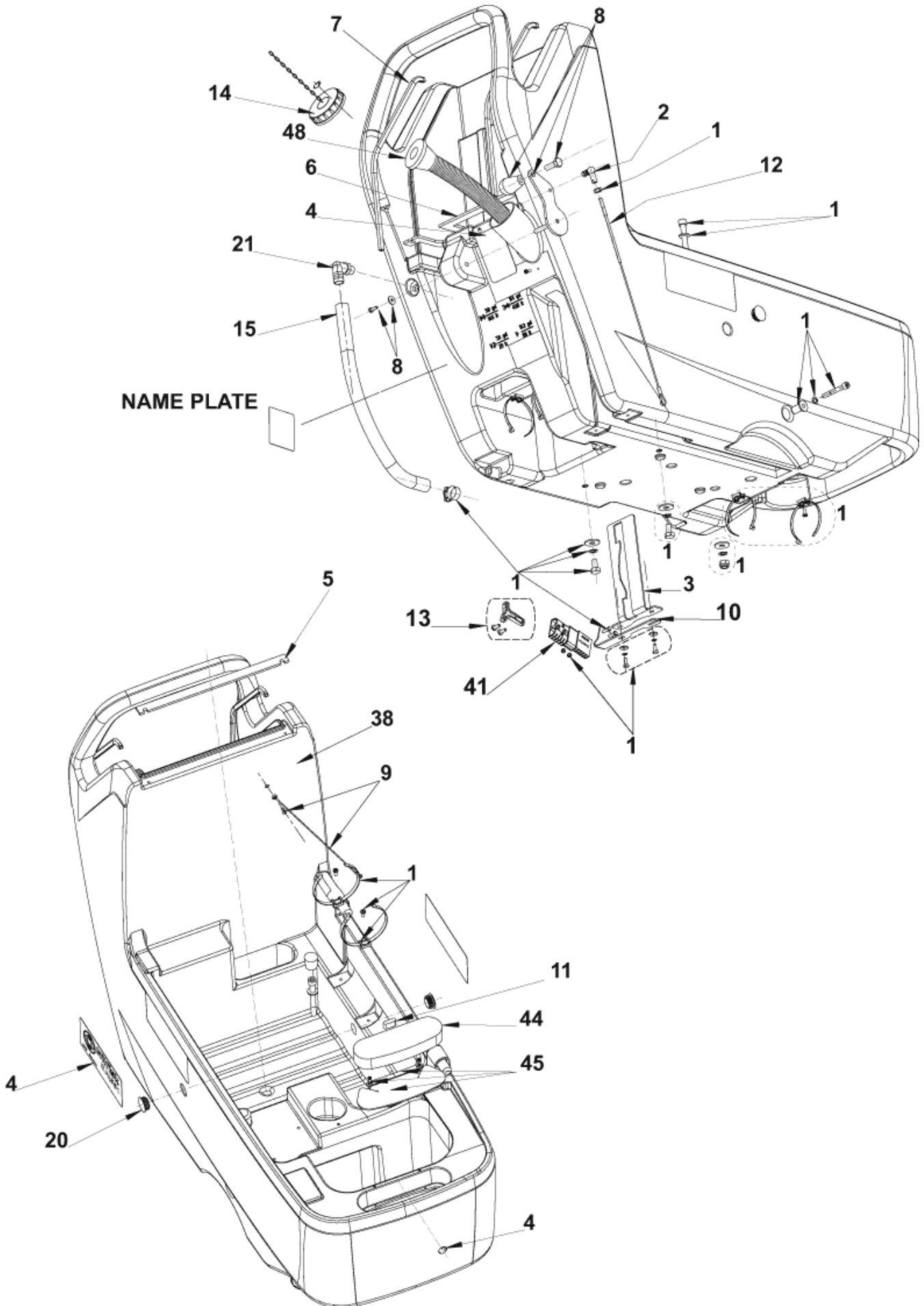
BA551/BA551D/BA551CD/BA611D

16-01-2015

StyMiste ID

E18615

3



# Opløsningstank

BA551/BA551D/BA551CD/BA611D

16-01-2015

StyMiste ID

E18615

4

| Pos | Vare nr.     | Ant | Beskrivelse                |   |
|-----|--------------|-----|----------------------------|---|
| 0   | 9098575000   | 1   | Support Left Watert.Kit    | TSB IT 2009-031 -INST.INSTR. 9098576000 |
| 1   | 9098265000   | 1   | Mont.Sæt F. Rentv andstank |   |
| 3   | 909 6493 000 | 1   | SUPPORT PEDAL              |   |
| 4   | 9097773000   | 1   | Decals Kit BA 551/611      |   |
| 5   | 909 6596 000 | 1   | Gasket                     |   |
| 6   | 909 6597 000 | 1   | Gasket                     |   |
| 7   | 909 6892 000 | 2   | Gasket L 960               |   |
| 8   | 9097630000   | 1   | Plade For Løft Af Sugefod  |   |
| 9   | 909 6874 000 | 1   | Cable Tank Kit             |   |
| 10  | 909 6649 000 | 1   | BRACKET CONNECTOR SUPPORT  |   |
| 11  | 9096921000   | 1   | CAP RUBBER                 |   |
| 12  | 9098675000   | 1   | Wire Til Sugefod           | TSB IT 2010-053-INST.INSTR. 9098672000  |
| 13  | 1464116000   | 1   | Handle Red Plastic Sb 120  |   |
| 14  | 909 6554 000 | 1   | Cap With Chain             |   |
| 15  | 909 6521 000 | 1   | Slange For Rent Vand       |   |
| 20  | L08812457    | 2   | Cap Tank                   |   |
| 38  | 909 6048 000 | 1   | Tank Solution 55 Lt        |   |
| 41  | 9098762000   | 1   | Ladestik, Rød 120 A        |   |
| 44  | 909 6671 000 | 1   | Rentv andsfilter           |   |
| 45  | 9098449000   | 1   | RUBBER ANTISPLASH KIT      |   |
| 48  | 9097290000   | 1   | Påfyldningslange           | OPTION                                  |

POSITION 12 9098675000 includes also position 2.

POSITION 0: CODE 9098575000 VALID FOR DRIVE VERSION ONLY

# GENINDVINDINGSTANK

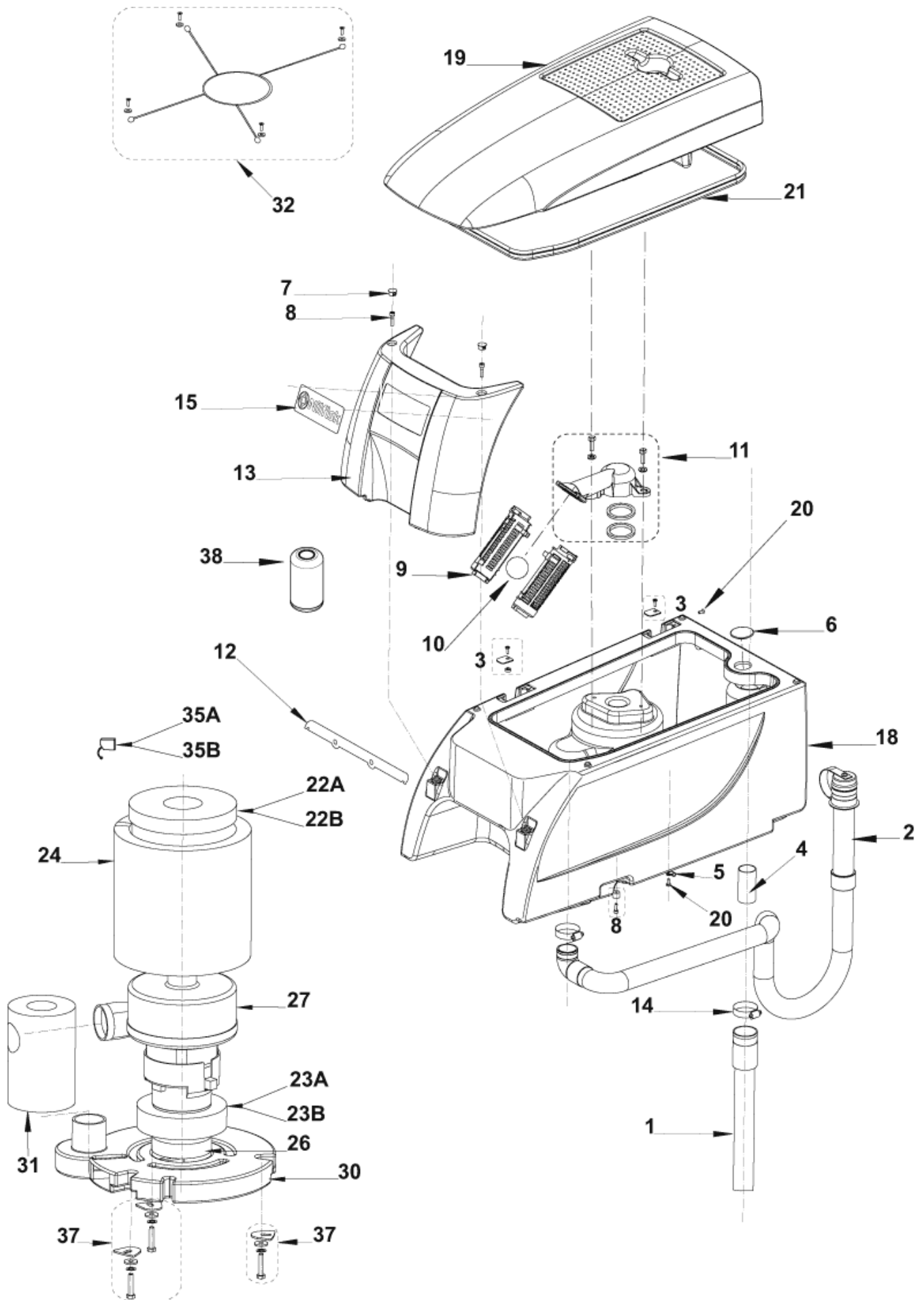
BA551/BA551D/BA551CD/BA611D

16-01-2015

StyMiste ID

E18619

5



# GENINDVINDINGSTANK

BA551/BA551D/BA551CD/BA611D

16-01-2015

StyMiste ID

E18619

6

| Pos | Vare nr.     | Ant | Beskrivelse                            |                          |
|-----|--------------|-----|--|--------------------------|
| 0   | 909 6876 000 | 1   | Hardware Cage Sup.Fix.Kit              |                          |
| 1   | 9099852000   | 1   | Sugeslange                             |                          |
| 2   | 9099165000   | 1   | Aftapningsslange                       |                          |
| 3   | 9097654000   | 1   | Holder, Låg                            |                          |
| 4   | 9099986000   | 1   | HOSE ANTIREFLOW                        |                          |
| 5   | L08239900    | 1   | CLAMP D.6 WHITE                        |                          |
| 6   | 909 6899 000 | 1   | Dæksel                                 |                          |
| 7   | 145 8008 000 | 2   | CAP D.18.2                             |                          |
| 8   | 9098451000   | 1   | HARDWARE RECOVERY TANK KIT             |                          |
| 9   | L08812259    | 2   | Kompl.Fly der F.Ba450/530 F.BA 450/530 |                          |
| 10  | L08812373    | 1   | Float Ball F.BA 450/530                |                          |
| 11  | 9097681000   | 1   | Cage Float Holder Kit                  | INST.INSTR. 9097680000   |
| 12  | 9097044000   | 1   | GASKET TANK                            |                          |
| 13  | 909 6224 000 | 1   | PANEL FRONT RECOVERY TANK              |                          |
| 14  | 145 0543 000 | 2   | Passring                               |                          |
| 15  | 9097773000   | 1   | Decals Kit BA 551/611                  |                          |
| 18  | 9100000773   | 1   | TANK RECOVERY 55 LT PKD                |                          |
| 19  | 909 6050 000 | 1   | Cover,Tank 55 Lt                       |                          |
| 20  | 909 6337 000 | 2   | SCREW M5X12 UNI7687                    |                          |
| 21  | 146 0741 000 | 1   | Pakning                                |                          |
| 24  | 909 6491 000 | 1   | Panel Acoustic Insulation              |                          |
| 26  | 909 6672 000 | 1   | Filter                                 |                          |
| 27  | 9099401000   | 1   | Motor Vacuum Kit                       |                          |
| 30  | 909 6051 000 | 1   | Cover.Vacuum Motor                     |                          |
| 31  | 909 6442 000 | 1   | Pipe,Acoustic Insulation               |                          |
| 32  | 909 6734 000 | 1   | Gummistrop Til Låg                     | OPTION                   |
| 37  | 909 6877 000 | 1   | Hardware Motor Fixing Kit              |                          |
| 38  | 909 5065 000 | 1   | Anti-skumfilter                        | OPTION - TSB IT 2008-002 |
| 22A | 909 6489 000 | 1   | Gasket Vacuum Motor                    |                          |
| 22B | 9098055000   | 1   | GASKET VACUUM MOTOR                    |                          |
| 23A | 909 6490 000 | 1   | Gasket Vacuum Motor                    |                          |
| 23B | 9097555000   | 1   | Gasket vacuum moter                    |                          |
| 35A | 909 5371 000 | 2   | Kul, Sugemotor 410/343                 |                          |
| 35B | 9098231000   | 1   | Carbon Brush Kit 2Pcs                  |                          |

A FOR MOTOR 9099401000 (AMETEK)

B FOR MOTOR 9098062000 (VIPER)

# Chassissystem

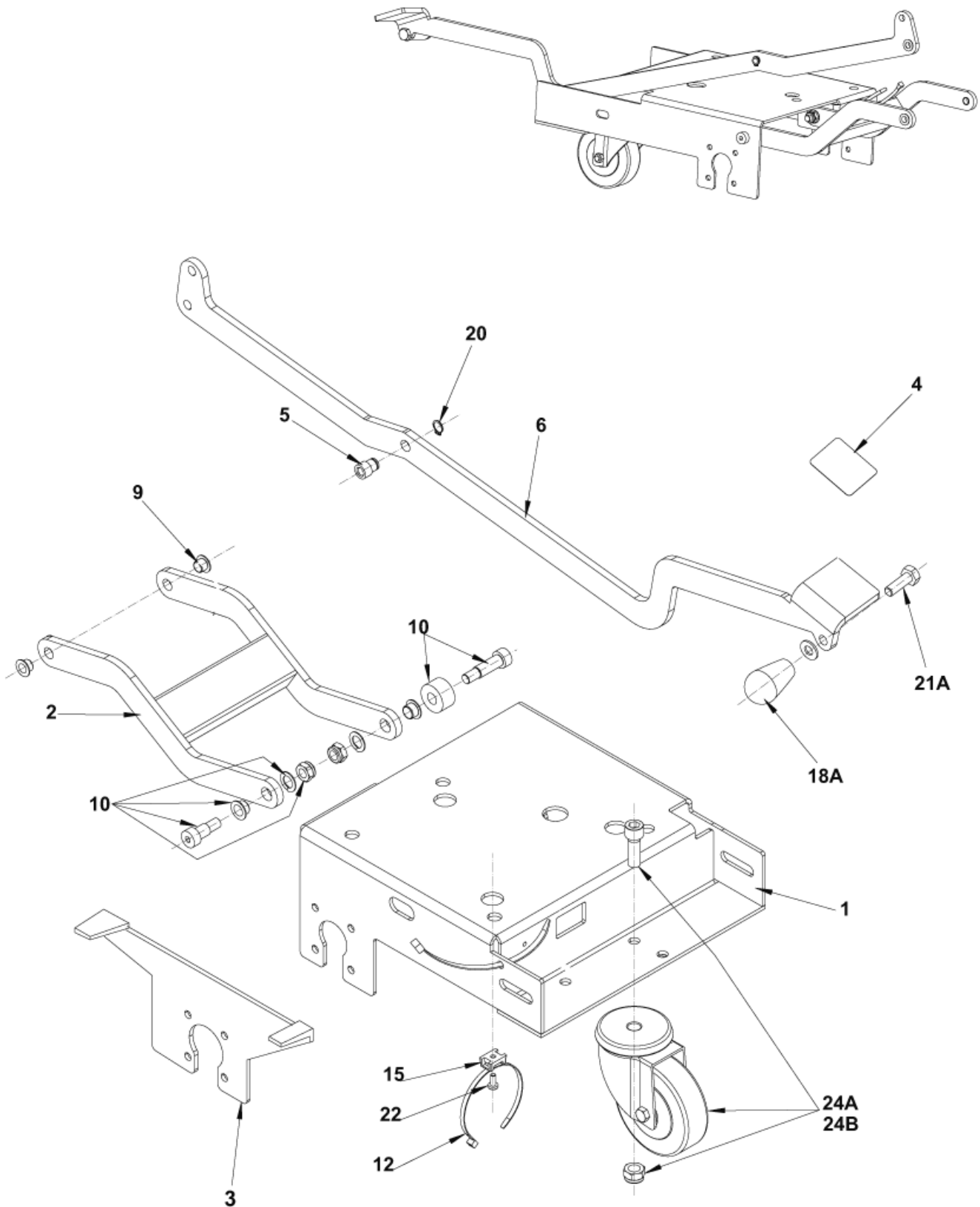
BA551/BA551D/BA551CD/BA611D

16-01-2015

StyMiste ID

E186113

7



# Chassissystem

BA551/BA551D/BA551CD/BA611D

16-01-2015

StyMiste ID

E186113

8

| Pos | Vare nr.     | Ant | Beskrivelse                        |   |
|-----|--------------|-----|------------------------------------|---|
| 0   | 910000335    | 1   | STRAP ANTISTATIC KIT               | OPT INST.INSTR.910000337                      |
| 1   | 909 6481 000 | 1   | CHASSIS 55 LT                      |   |
| 2   | 909 6486 000 | 1   | Børstedæk Ophæng BA 551Cd          |   |
| 3   | 9098575000   | 1   | Support Left Watert.Kit            | TSB IT 2009-031-INST.INSTR.9098576000         |
| 4   | 909 6539 000 | 1   | MAT.ANTISKID                       |   |
| 5   | 909 6540 000 | 1   | BUSH FLANGED                       |   |
| 6   | 909 6487 000 | 1   | PEDAL BRUSH LIFTING                |   |
| 9   | 909 6594 000 | 2   | BEARING FLANGE IGLIDUR GFM-1012-09 |   |
| 10  | 909 6878 000 | 1   | Hardware Chas. Fixing Kit          |   |
| 12  | 145 0524 000 | 3   | Black Clamp 4,8X200                |   |
| 15  | 909 6595 000 | 1   | HOLDER.FLAT TIE                    |   |
| 20  | 33006051     | 1   | Ring D 12 UNI7435                  |   |
| 22  | 909 6337 000 | 1   | SCREW M5X12 UNI7687                |   |
| 24  | 9098947000   | 1   | Bløde drejehjul                    | OPTION - WIDER WHELL FOR SPECIAL APPLICATIONS |
| 18A | 909 6621 000 | 1   | Knob                               |   |
| 21A | 33004010     | 1   | SCREW HEX M10X30 UNI5739           |   |
| 24A | 909 6880 000 | 1   | Castorhjul Kit                     |   |
| 24B | 909 6880 000 | 1   | Castorhjul Kit                     |   |

A FOR SCRUBBER WITH DRIVE

B FOR SCRUBBER WITHOUT DRIVE



# Wheels and traction

BA551/BA551D/BA551CD/BA611D

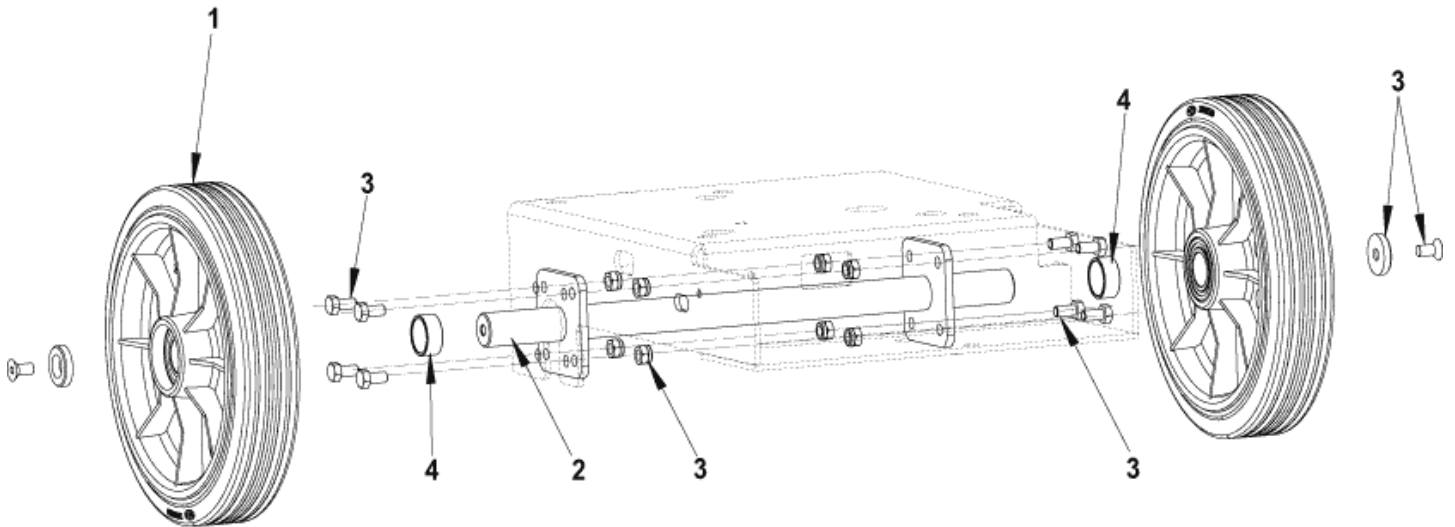
16-01-2015

StyMiste ID

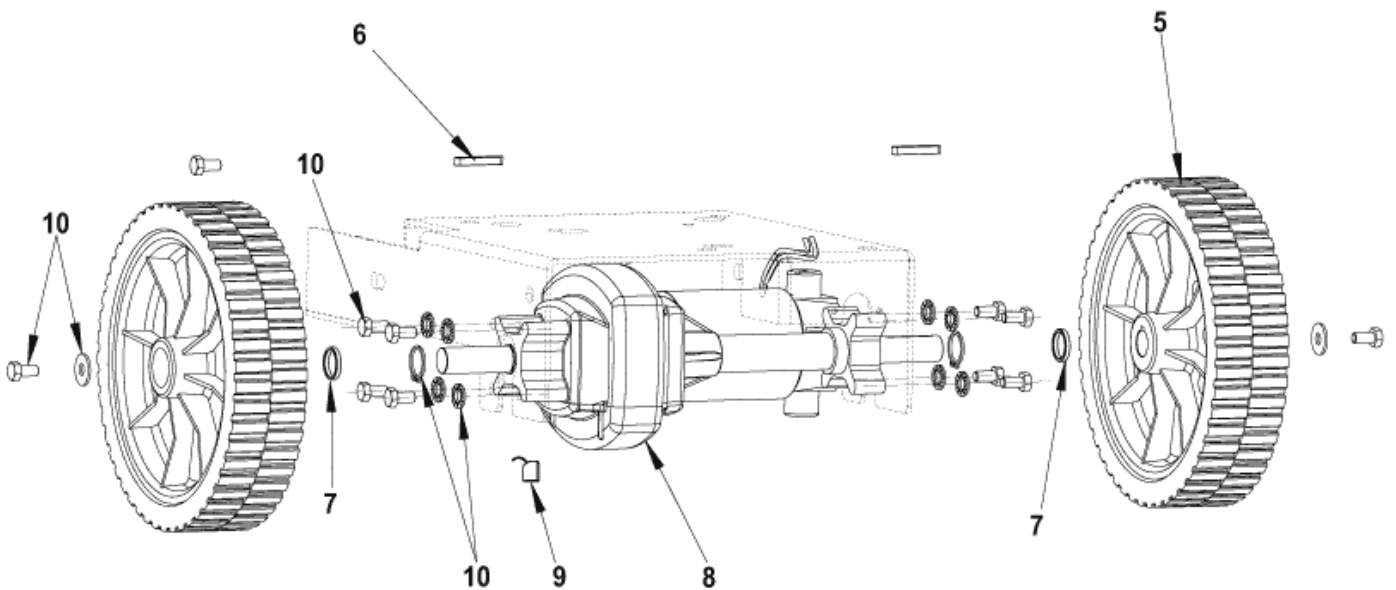
E186115

9

## SENZA TRAZIONE / WITHOUT TRACTION ( BA 551 )



## CON TRAZIONE / WITH TRACTION ( BA 551 D / BA 551 DC / BA 611 D )



# Wheels and traction

BA551/BA551D/BA551CD/BA611D

16-01-2015

StyMiste ID

E186115

10

| Pos | Vare nr.     | Ant | Beskrivelse                        |                          |
|-----|--------------|-----|------------------------------------|--------------------------|
| 1   | 909 6503 000 | 2   | WHEEL FRONT D.250                  |                          |
| 2   | 909 6501 000 | 1   | SHAFT WHEELS                       |                          |
| 3   | 9098299000   | 1   | HARDWARE WHEELS KIT                |                          |
| 4   | 909 6502 000 | 2   | SPACER 25X30X12.6                  |                          |
| 5   | 9097026000   | 2   | Træk hjul, olieresistente, Ø300 mm | OPTION                   |
| 5   | 9099691000   | 1   | WHEELS KIT                         | includes 2 wheels        |
| 5   | 9100000551   | 1   | WHEELS D.250 GREY-BLACK KIT        | option includes 2 wheels |
| 6   | 146 0769 000 | 2   | KEY 6X6X40 UNI6604A                |                          |
| 7   | 909 6506 000 | 2   | Spacer 20.5X25X4                   |                          |
| 8   | 909 6548 000 | 1   | Køremotor 200W 24V Ba450/551/611   |                          |
| 9   | 145 5124 000 | 2   | Kul F. Aw 455 Børstemotor          |                          |
| 10  | 9098298000   | 1   | HARDWARE DRIVE WHEELS KIT          |                          |

# CHASSISSYSTEM BA 430S/510S

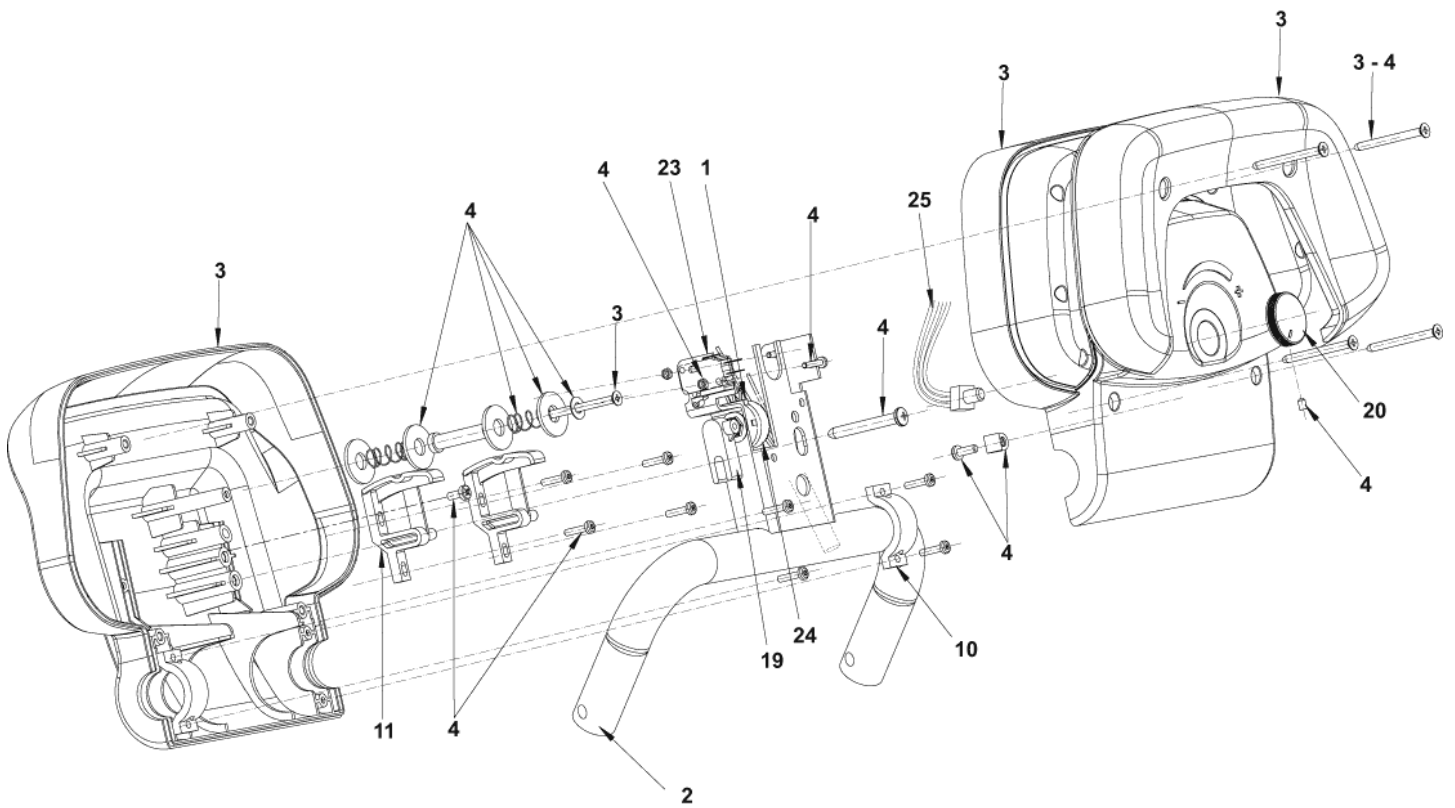
BA551/BA551D/BA551CD/BA611D

16-01-2015

StyMiste ID

E186117

11



# CHASSISSYSTEM BA 430S/510S

BA551/BA551D/BA551CD/BA611D

16-01-2015

StyMiste ID

E186117

12

| Pos | Vare nr.     | Ant | Beskrivelse                                |
|-----|--------------|-----|--|
| 0   | 9098792000   | 1   | Housing Switch Lower Kit<br>TSB IT 2010-60 |
| 1   | 909 6578 000 | 1   | HARNESS HANDLE BAR DRIVE                   |
| 2   | 909 6059 000 | 1   | HANDLE BAR                                 |
| 3   | 9097622000   | 1   | Håndtagskit Ba611 Mf.                      |
| 4   | 9098300000   | 1   | Hardware Handle Assembly                   |
| 10  | L08812279    | 2   | Clamp Ba450/530                            |
| 11  | L08812282    | 2   | Cam Controller Ba450/530                   |
| 19  | 909 6038 000 | 1   | Gaffel Potentiometer Ba450/530             |
| 20  | 909 6471 000 | 1   | Knob, Potentiometer                        |
| 23  | 909 6677 000 | 1   | Microswitch                                |
| 24  | 9098814000   | 1   | Potentiometer 5K 40                        |
| 25  | 909 6544 000 | 1   | Harness Potentiometer                      |

# OPLØSNINGSSYSTEM

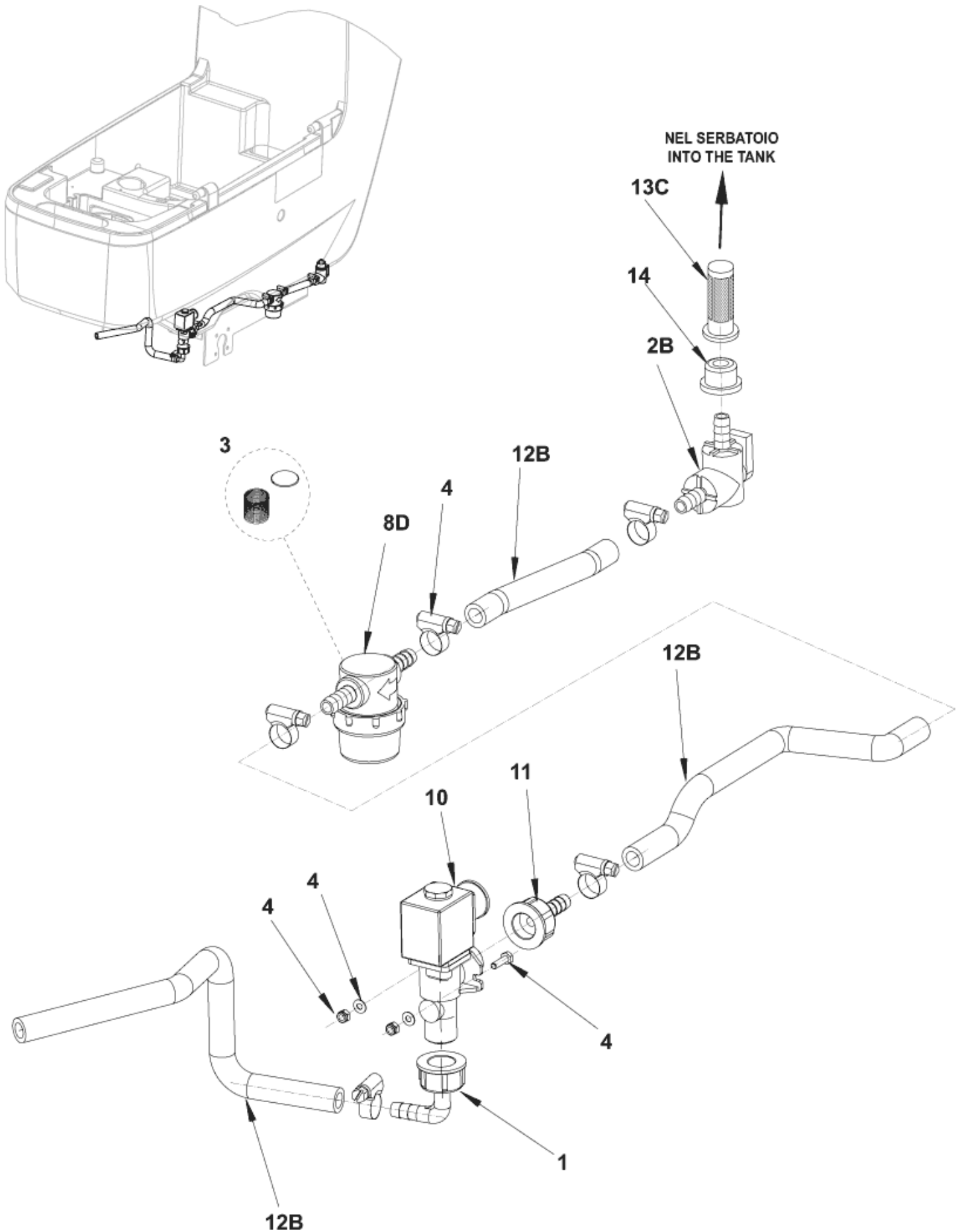
BA551/BA551D/BA551CD/BA611D

16-01-2015

StyMiste ID

E186119

13



# OPLØSNINGSSYSTEM

BA551/BA551D/BA551CD/BA611D

16-01-2015

StyMiste ID

E186119

14

| Pos | Vare nr.     | Ant | Beskrivelse                      |
|-----|--------------|-----|----------------------------------|
| 1   | 9098777000   | 1   | Vinkel                           |
| 3   | L08603893    | 1   | Filternet+Pakn. Til 909 5151 000 |
| 4   | 9098301000   | 1   | HARDWARE SOLUTION SYSTEM KIT     |
| 0B  | 909 6805 000 | 1   | Pipes Solenoid Valve Kit         |
| 10  | 909 6555 000 | 1   | Solenoid Valve 24V               |
| 11  | 910000106    | 1   | HOLDER RUBBER 1/2 FEMALE KIT     |
| 14  | 909 5286 000 | 1   | Pakning BA 410                   |
| 2B  | 9096994000   | 1   | Valve Elbow                      |
| 8D  | 9097166000   | 1   | Filter Complete Kit              |
| 12B | 9096996000   | 1   | Valve Elbow W/Pipes Kit          |
| 13C | 9096916000   | 1   | Filter Rentvand Ba410            |
|     |              |     | OPTION                           |

B TSB IT 2007-027a

C TSB IT 2007-015

D TSB IT 2007-021

# Squeegee system BA 551-551D-551CD

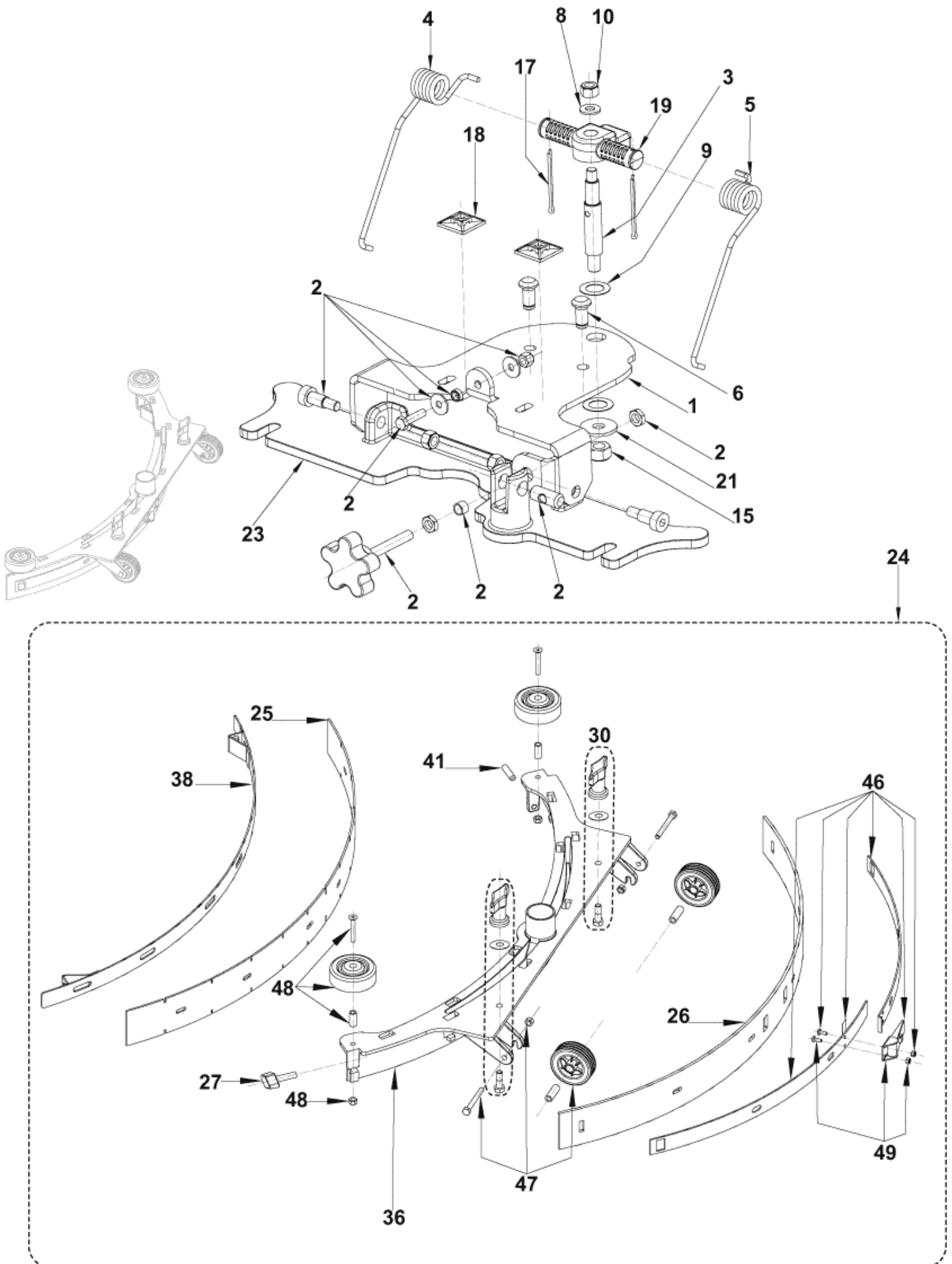
BA551/BA551D/BA551CD/BA611D

16-01-2015

StyMiste ID

E186121

15



# Squeegee system BA 551-551D-551CD

BA551/BA551D/BA551CD/BA611D

16-01-2015

StyMiste ID

E186121

16

| Pos | Vare nr.     | Ant | Beskrivelse                       |                       |
|-----|--------------|-----|-----------------------------------|-----------------------|
| 0   | 9097548000   | 1   | Pakning, Nylon Kit Til Skviser    | TSB IT 2007-031       |
| 0   | 910000279    | 1   | Sugegummi kit sværtfri 29" 740 mm | ( INCLUDES POS.25-26) |
| 1   | 909 6494 000 | 1   | Bracket, Squeegee Support         |                       |
| 2   | 909 6885 000 | 1   | Squeegee Justeringskit Ba451-551  |                       |
| 3   | 909 6497 000 | 1   | Bolt, Squeegee                    |                       |
| 4   | 909 6537 000 | 1   | Fjeder Til Squeegee               |                       |
| 5   | 909 6538 000 | 1   | Fjeder Til Squeegee               |                       |
| 6   | 909 6543 000 | 2   | Pin, Squeegee Fixing              |                       |
| 8   | 33005915     | 1   | Plain Washer 8                    |                       |
| 9   | L08238300    | 2   | Skive                             |                       |
| 10  | 33005607     | 3   | Møtrik M8 Uni7474                 |                       |
| 15  | 33005608     | 1   | Møtrik M10 Uni7474                |                       |
| 17  | 33005758     | 2   | Split Til Sugefod                 |                       |
| 18  | 909 6635 000 | 2   | Holder                            |                       |
| 19  | 909 6052 000 | 1   | Fjederholder For Squeegee         |                       |
| 21  | L08604251    | 1   | Disc 10,5 Ba340/450/530           |                       |
| 23  | 909 6045 000 | 1   | Beslag Til Sugefod                |                       |
| 24  | 909 6851 000 | 1   | Sugefod, komplet                  |                       |
| 27  | 910000791    | 1   | KNOB M8X30 THD STUD SS PKD        |                       |
| 30  | 9097637000   | 1   | Monteringsskrue (2 Stk)           |                       |
| 36  | 909 6044 000 | 1   | "Sugefod 30" Kun Metaldel "       |                       |
| 38  | 909 6055 000 | 1   | Holder For Sugegummi              |                       |
| 41  | 909 6600 000 | 1   | SCREW GRUB M8X30 UNI5929 SS       |                       |
| 46  | 909 6882 000 | 1   | Skinnekit                         |                       |
| 47  | 909 6883 000 | 2   | Hjul For Squeegee Kit             |                       |
| 48  | 909 6884 000 | 2   | Påkørselshjul, Kit                |                       |
| 49  | 909 6394 000 | 1   | Latch Squeegee Kit                |                       |



# Squeegee system BA 611D before s.no.082115

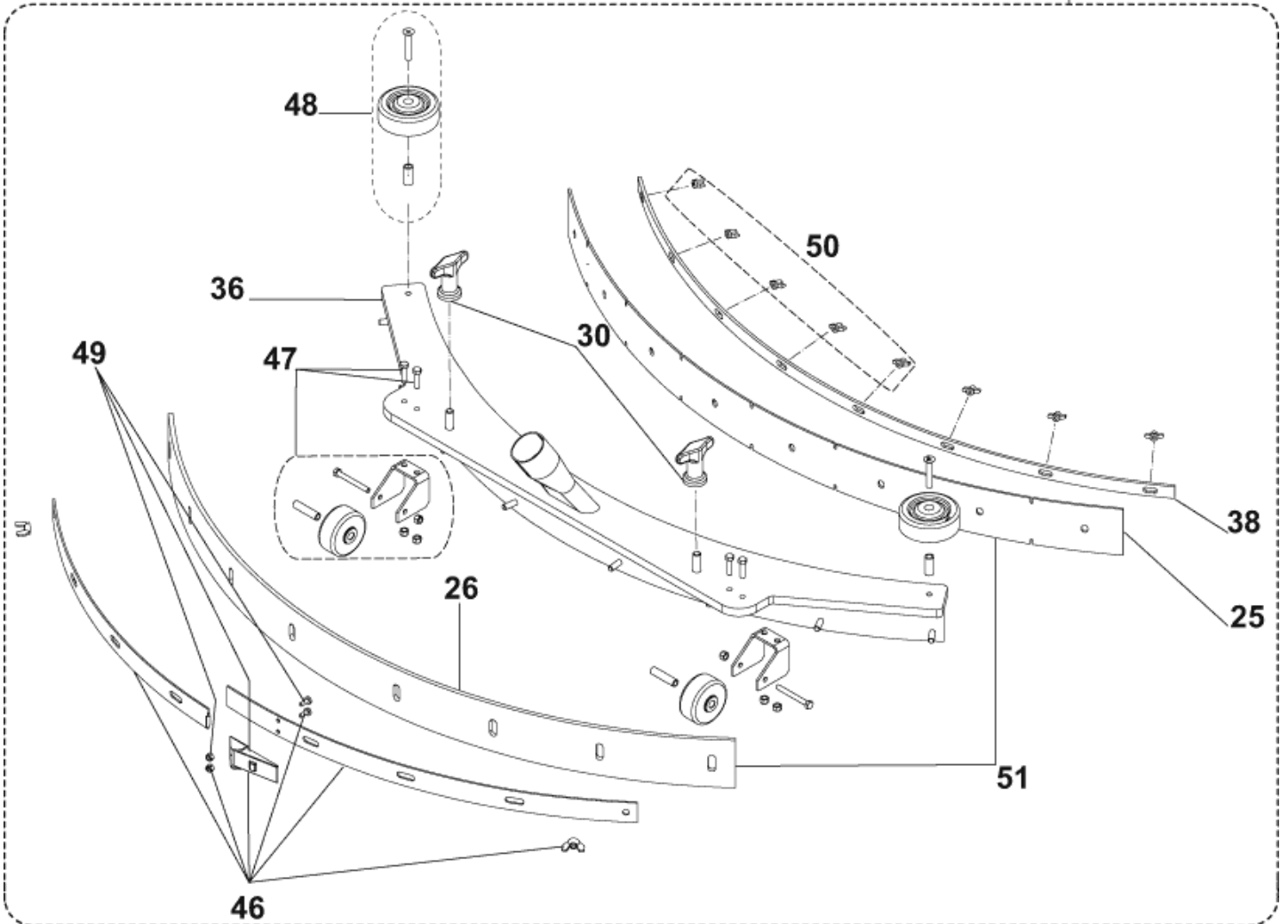
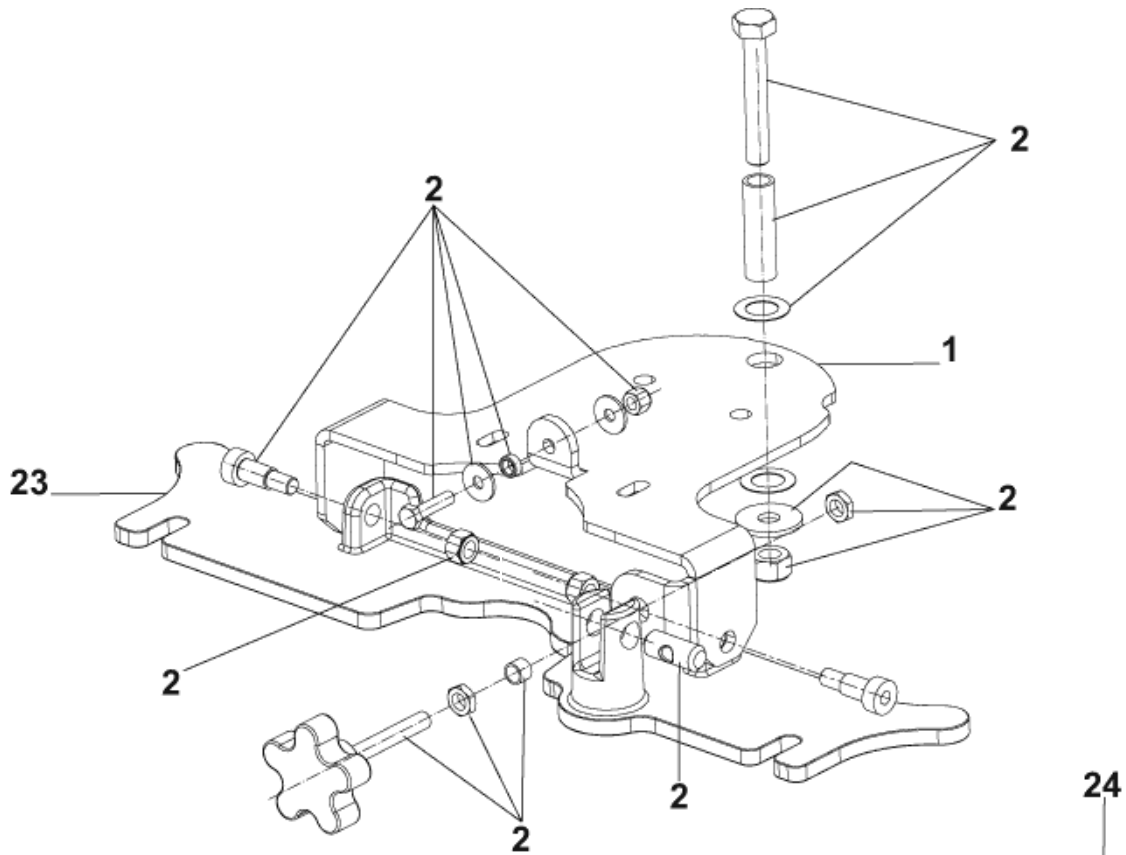
BA551/BA551D/BA551CD/BA611D

16-01-2015

StylMiste ID

E186125

17



# Squeegee system BA 611D before s.no.0821151

BA551/BA551D/BA551CD/BA611D

16-01-2015

StyMiste ID

E186125

18

| Pos | Vare nr.     | Ant | Beskrivelse                              |        |
|-----|--------------|-----|--|--------|
| 0   | 909 6886 000 | 1   | HARDWARE SQUEEGEE FIXING KIT             |        |
| 1   | 909 6494 000 | 1   | Bracket, Squeegee Support                |        |
| 2   | 9098527000   | 1   | Hardware Squ. Fixing Supp                |        |
| 23  | 909 6045 000 | 1   | Beslag Til Sugefod                       |        |
| 24  | 9097539000   | 1   | Squeegee Cpl. BA 611 D Kit               |        |
| 25  | 909 5629 000 | 1   | Sugelæbe Front Ba600/Ba65 Afsmitningsfri | OPTION |
| 30  | 9097637000   | 1   | Monteringskrue (2 Stk)                   |        |
| 36  | 9097198000   | 1   | WELDMENT.SQUEEGEE TOOL                   |        |
| 38  | L08603831    | 1   | Strap Front                              |        |
| 46  | 909 6894 000 | 1   | Hardware Squeegee Blade Fixing Kit       |        |
| 47  | 910000573    | 2   | WHEEL SQUEEGEE KIT                       |        |
| 48  | L08603880    | 2   | Stødhjulskit, Sugefod                    |        |
| 49  | 909 6394 000 | 1   | Latch Squeegee Kit                       |        |
| 50  | 909 6356 000 | 2   | Vingemøtrik-Sæt (2 Stk.)                 |        |
| 51  | 9100000280   | 1   | Sugegummi kit sværtfri 33" 840 mm        |        |

909 6886 000 NOT SHOWN

POSITIONS 25-26 INCLUDED IN KIT 9097499000

# Squeegee system BA 611D after s.no.0821158:

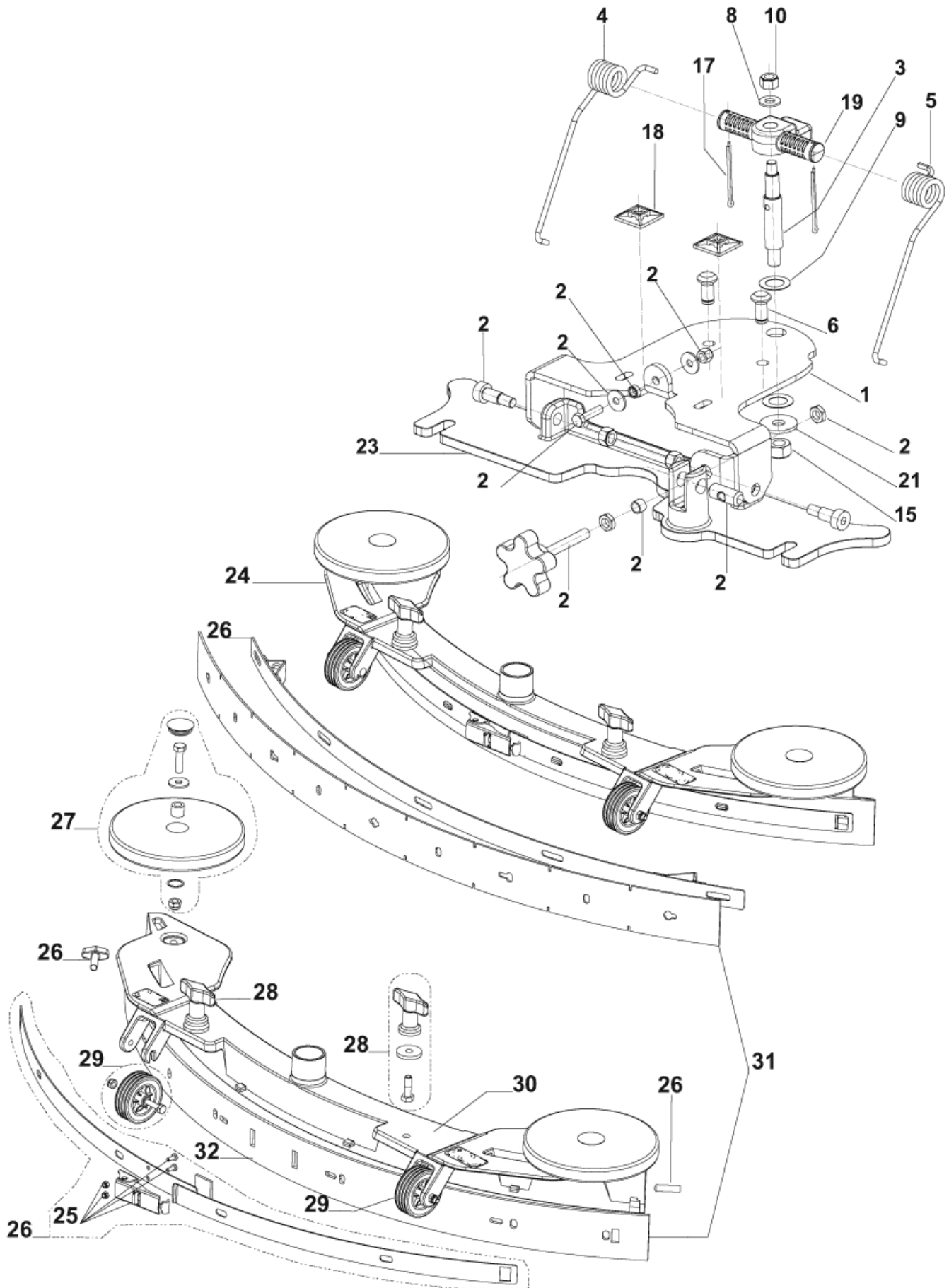
BA551/BA551D/BA551CD/BA611D

16-01-2015

StyMiste ID

E186126

19



# Squeegee system BA 611D after s.no.0821158

BA551/BA551D/BA551CD/BA611D

16-01-2015

StyMiste ID

E186126

20

| Pos | Vare nr.     | Ant | Beskrivelse                                    |
|-----|--------------|-----|--|
| 0   | 9097548000   | 1   | Pakning, Nylon Kit Til Skviser TSB IT 2007-031 |
| 1   | 909 6494 000 | 1   | Bracket, Squeegee Support                      |
| 2   | 909 6885 000 | 1   | Squeegee Justeringskit Ba451-551               |
| 3   | 909 6497 000 | 1   | Bolt, Squeegee                                 |
| 4   | 909 6537 000 | 1   | Fjeder Til Squeegee                            |
| 5   | 909 6538 000 | 1   | Fjeder Til Squeegee                            |
| 6   | 909 6543 000 | 2   | Pin, Squeegee Fixing                           |
| 8   | 33005915     | 1   | Plain Washer 8                                 |
| 9   | L08238300    | 2   | Skive  |
| 10  | 33005607     | 3   | Møtrik M8 Uni7474                              |
| 15  | 33005608     | 1   | Møtrik M10 Uni7474                             |
| 17  | 33005758     | 2   | Split Til Sugefod                              |
| 18  | 909 6635 000 | 2   | Holder   |
| 19  | 909 6052 000 | 1   | Fjederholder For Squeegee                      |
| 21  | L08604251    | 1   | Disc 10,5 Ba340/450/530                        |
| 23  | 909 6045 000 | 1   | Beslag Til Sugefod                             |
| 24  | 9097539000   | 1   | Squeegee Cpl. BA 611 D Kit                     |
| 25  | 909 6394 000 | 1   | Latch Squeegee Kit                             |
| 26  | 9097634000   | 1   | Squeegee Blades Fixing Kit                     |
| 27  | 909 6887 000 | 2   | Stødhjul                                       |
| 28  | 9097637000   | 1   | Monteringskrue (2 Stk)                         |
| 29  | 909 6883 000 | 1   | Hjul For Squeegee Kit                          |
| 30  | 9097198000   | 1   | WELDMENT.SQUEEGEE TOOL                         |
| 31  | 9100000280   | 1   | Sugegummi kit sværtfri 33" 840 mm              |

# Brush system BA 551

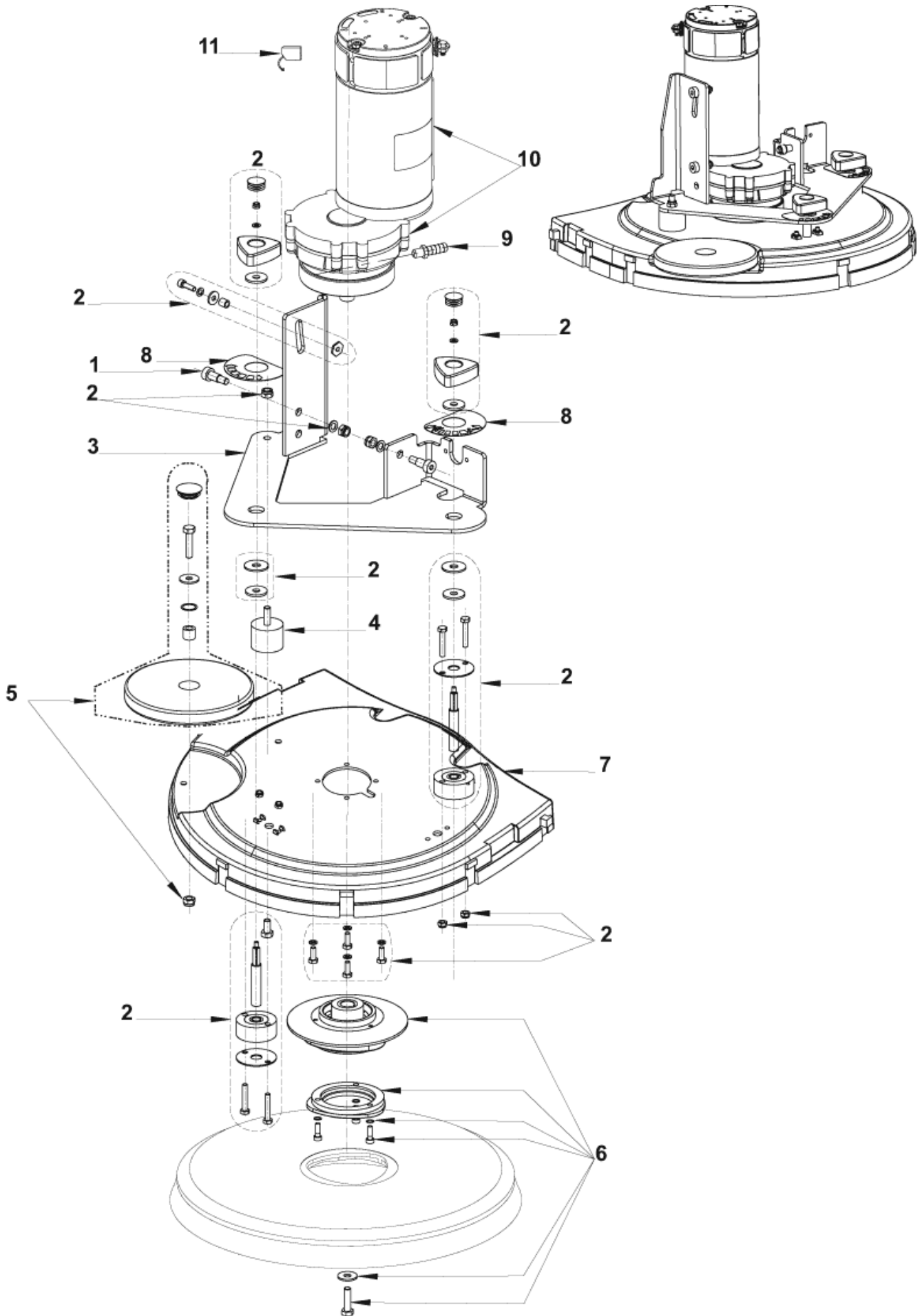
BA551/BA551D/BA551CD/BA611D

16-01-2015

StyMiste ID

E186129

21



# Brush system BA 551

BA551/BA551D/BA551CD/BA611D

16-01-2015

StyMiste ID

E186129

22

| Pos | Vare nr.     | Ant | Beskrivelse                              |  |
|-----|--------------|-----|--|--|
| 0   | 9097599000   | 1   | Beskyttelsessæt                          | TSB IT 2008-014-INST.INSTR.CODE 9097600000         |
| 1   | 909 6495 000 | 2   | SCREW 10X16 M8 ISO7379 12.9 GEOMET 320 A |  |
| 2   | 9099419000   | 1   | Justeringsæt F. Børste                   |  |
| 3   | 909 6485 000 | 1   | Plate Deck Brush Holder                  |  |
| 4   | 9097184000   | 1   | Vibration Damping M8 60Sh                |  |
| 5   | 909 6887 000 | 1   | Stødhjul                                 |  |
| 6   | 9097093000   | 1   | Børsteholder Poly Kit                    |  |
| 7   | 909 6042 000 | 1   | Børste Dæksel                            |  |
| 8   | 9097773000   | 1   | Decals Kit BA 551/611                    |  |
| 9   | L08601624    | 1   | Slangestuds Plast                        |  |
| 10  | 9098308000   | 1   | Gearmotor 450W 24V                       | STARTING FROM SERIAL NUMBER 111534145              |
| 11  | 909 5380 000 | 1   | Carbon Brush Kit                         | FOR REDUCTION GEARMOTOR 909 6546 000 (LEROY SOMER) |
| 11  | 9098376000   | 1   | CARBON BRUSHES KIT 4 PCS                 | FOR REDUCTION GEARMOTOR 9098308000 (AMER)          |
| 11  | 9098674000   | 1   | CARBON BRUSHES KIT 4 PCS                 | FOR REDUCTION GEARMOTOR 9098352000 (VIPER)         |

# Brush system BA 551D

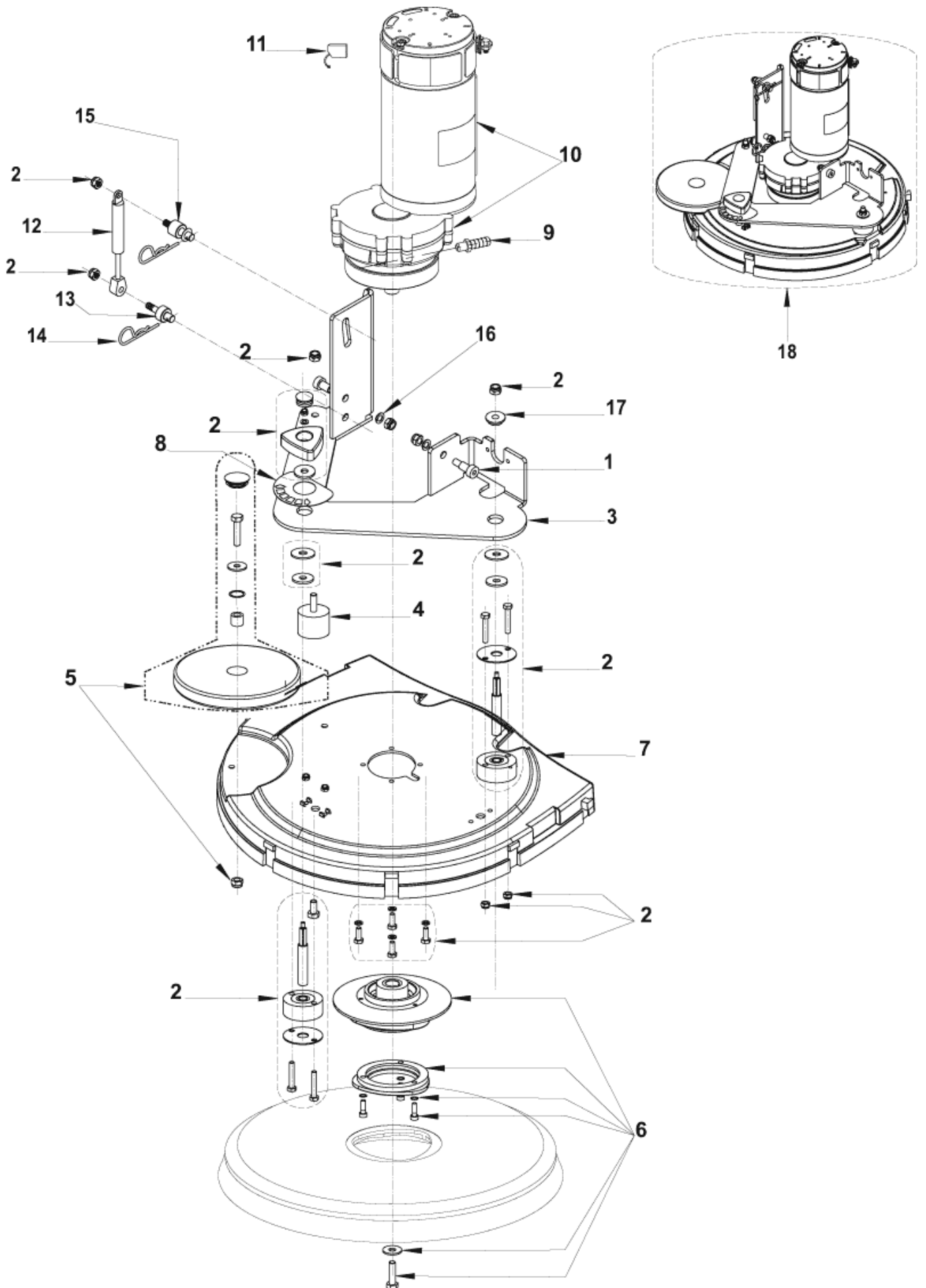
BA551/BA551D/BA551CD/BA611D

16-01-2015

StyMiste ID

E186133

23



# Brush system BA 551D

BA551/BA551D/BA551CD/BA611D

16-01-2015

StyMiste ID

E186133

24

| Pos | Vare nr.     | Ant | Beskrivelse                              |  |
|-----|--------------|-----|--|--|
| 0   | 9097599000   | 1   | Beskyttelsessæt                          | TSB IT 2008-014-INST.INSTR.CODE 9097600000         |
| 1   | 909 6495 000 | 2   | SCREW 10X16 M8 ISO7379 12.9 GEOMET 320 A |  |
| 2   | 9099419000   | 1   | Justeringsæt F. Børste                   |  |
| 3   | 909 6485 000 | 1   | Plate Deck Brush Holder                  |  |
| 4   | 9097184000   | 1   | Vibration Damping M8 60Sh                |  |
| 5   | 909 6887 000 | 1   | Stødhjul                                 |  |
| 6   | 9097093000   | 1   | Børsteholder Poly Kit                    |  |
| 7   | 909 6042 000 | 1   | Børste Dæksel                            |  |
| 8   | 9097773000   | 1   | Decals Kit BA 551/611                    |  |
| 9   | L08601624    | 1   | Slangestuds Plast                        |  |
| 10  | 9098308000   | 1   | Gearmotor 450W 24V                       | STARTING FROM SERIAL NUMBER 111534145              |
| 11  | 909 5380 000 | 1   | Carbon Brush Kit                         | FOR REDUCTION GEARMOTOR 909 6546 000 (LEROY SOMER) |
| 11  | 9098376000   | 1   | CARBON BRUSHES KIT 4 PCS                 | FOR REDUCTION GEARMOTOR 9098308000 (AMER)          |
| 12  | 909 6514 000 | 1   | Spring Gas                               |  |
| 13  | 909 6516 000 | 1   | PIN LOWER                                |  |
| 14  | 145 8564 000 | 2   | Saxpinne                                 |  |
| 15  | 909 6515 000 | 1   | Pin Upper                                |  |
| 16  | 33005916     | 2   | WASHER M10 UNI6592                       |  |
| 17  | 909 6513 000 | 1   | BUSH FLANGED                             |  |
| 18  | 909 6853 000 | 1   | DECK BRUSH 530MM/21 KIT                  |  |



# Brushes system BA 551CD

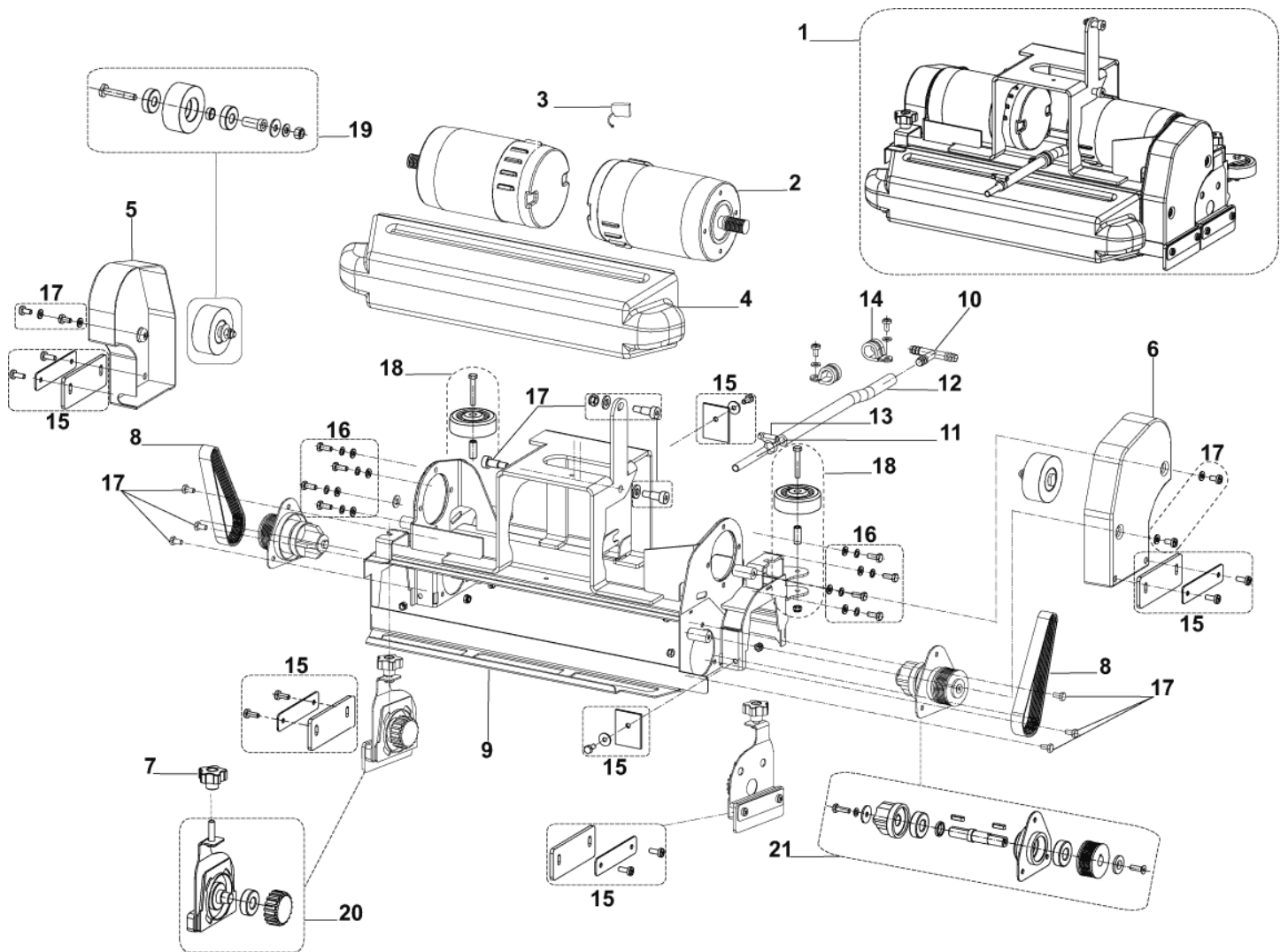
BA551/BA551D/BA551CD/BA611D

16-01-2015

StyMiste ID

E186137

25



# Brushes system BA 551CD

BA551/BA551D/BA551CD/BA611D

16-01-2015

StyMiste ID

E186137

26

| Pos | Vare nr.     | Ant | Beskrivelse                            |
|-----|--------------|-----|--|
| 1   | 909 6854 000 | 1   | Børstehoved, komplet                   |
| 2   | 9096983000   | 2   | REDUCTION GEARMOTOR 300W 24V           |
| 3   | 1464432000   | 1   | Brush Carbon Kit 4Pcs                  |
| 4   | 909 5805 000 | 1   | Skidtkasse 651Bcl Scrubtec 651Bcl Cyl. |
| 5   | 909 5818 000 | 1   | Skjold, Venstre                        |
| 6   | 909 5817 000 | 1   | Skjold, Højre                          |
| 7   | 146 1851 000 | 2   | Knob M8                                |
| 8   | 909 5820 000 | 2   | Belt Poly-V                            |
| 9   | 909 6518 000 | 1   | FRAME CYLINDRICAL DECK                 |
| 10  | 145 4366 000 | 1   | HOLDER RUBBER T D.12                   |
| 11  | 909 5772 000 | 1   | HOSE COPPER                            |
| 12  | 909 5870 000 | 1   | HOSE PVC W/ SPIRAL D.10X16 L.190MM     |
| 13  | 145 8582 000 | 1   | Clamp 8/ 9-16                          |
| 14  | 909 5516 000 | 2   | CLAMP HOSE D.18                        |
| 15  | 9098489000   | 1   | Guards Splash Kit                      |
| 16  | 9098490000   | 1   | HARDWARE BELT TENSIONER ROLLER KIT     |
| 17  | 9098491000   | 1   | Hardware Cyl.Deck Kit                  |
| 18  | 9098488000   | 1   | Afviserrulle-Sæt                       |
| 19  | 9098485000   | 2   | Belt Tensioner Kit                     |
| 20  | 9098486000   | 2   | Monteringsplade                        |
| 21  | 9098487000   | 2   | Support Pulley Cyl.Brush               |
| 22  | 909 6620 000 | 1   | HARNESS CYL. BRUSH DECK                |

# Brushes system BA 611D

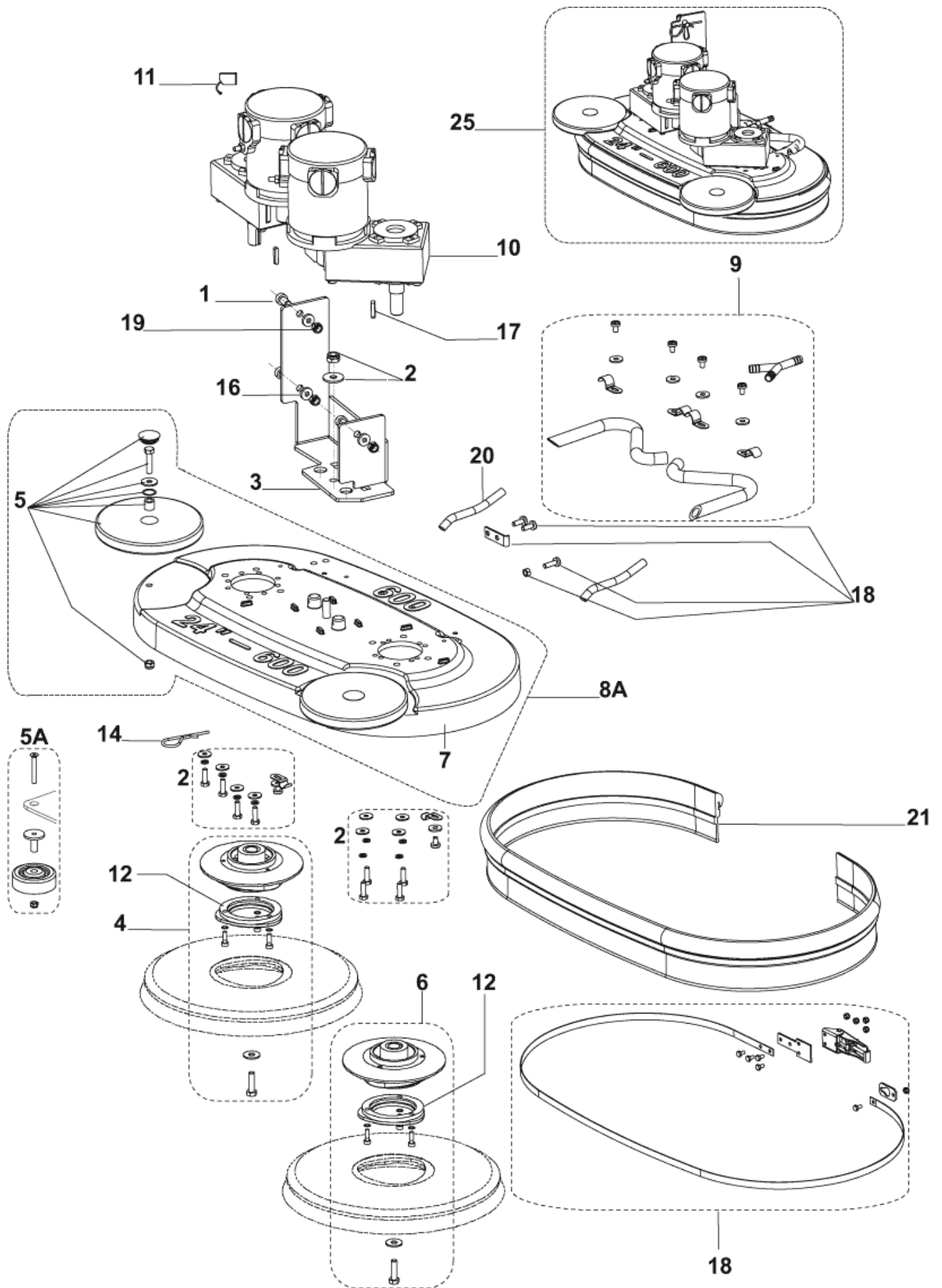
BA551/BA551D/BA551CD/BA611D

16-01-2015

StyMiste ID

E186139

27



# Brushes system BA 611D

BA551/BA551D/BA551CD/BA611D

16-01-2015

StyMiste ID

E186139

28

| Pos | Vare nr.     | Ant | Beskrivelse                              |                                   |
|-----|--------------|-----|--|-----------------------------------|
| 0   | 909 6619 000 | 1   | HARNES BRUSH DECK                        |                                   |
| 1   | 909 6495 000 | 3   | SCREW 10X16 M8 ISO7379 12.9 GEOMET 320 A |                                   |
| 2   | 9098496000   | 1   | HARDWARE BRUSH DECK KIT                  |                                   |
| 3   | 909 6512 000 | 1   | Bracket Brush Deck                       |                                   |
| 4   | L08812589    | 1   | Holder Poly g,W/Flange Kit               |                                   |
| 5   | 909 6887 000 | 2   | Stødhjul                                 |                                   |
| 6   | 9097092000   | 1   | Holder Poly gonal Kit                    |                                   |
| 7   | 909 5344 000 | 1   | DECK BRUSH                               |                                   |
| 9   | 909 6891 000 | 1   | Y-Stykke Til Rentvand Kit Deck Kit       |                                   |
| 10  | 9100000678   | 2   | REDUCTION GEARMOTOR 350W 24V PKD         | TSB IT 2011-70                    |
| 11  | 909 6893 000 | 2   | Carbon Brush Kit -4Pcs-                  |                                   |
| 12  | L08812480    | 2   | Poly g. Holder Ba450/530                 |                                   |
| 14  | 145 8564 000 | 1   | Saxpinne                                 |                                   |
| 16  | 33005916     | 3   | WASHER M10 UNI6592                       |                                   |
| 17  | 1466146000   | 2   | KEY 5X5X25 UNI6604A PKD                  |                                   |
| 18  | 909 5398 000 | 1   | Spændebånd,Stænkskørte BA 650/600S       |                                   |
| 19  | 33005607     | 3   | Møtrik M8 Uni7474                        |                                   |
| 20  | 909 5228 000 | 2   | HOSE COPPER                              |                                   |
| 21  | 909 5224 000 | 1   | Børsteinddækningssæt, 650 mm             |                                   |
| 25  | 909 6855 000 | 1   | DECK BRUSH 610MM/24 KIT                  |                                   |
| 5A  | 909 5894 000 | 1   | Roller Bumper Kit BA 650/750/600S        | FOR PREVOUS BRUSH DECK SYSTEM     |
| 8A  | 9098525000   | 1   | DECK BRUSH UPDATING KIT                  | F UPDATING PREVOUS BR.DECK SYSTEM |

# Tilbehør

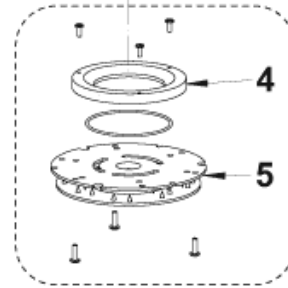
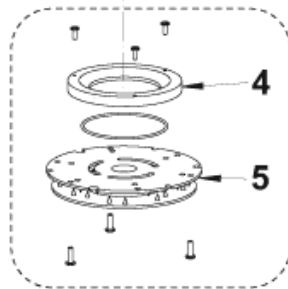
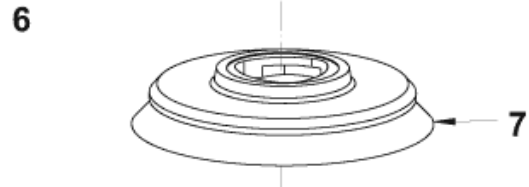
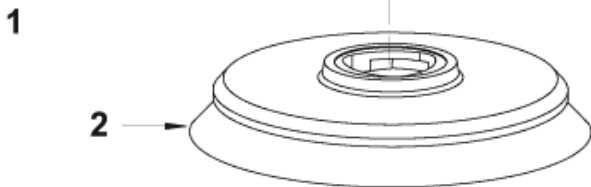
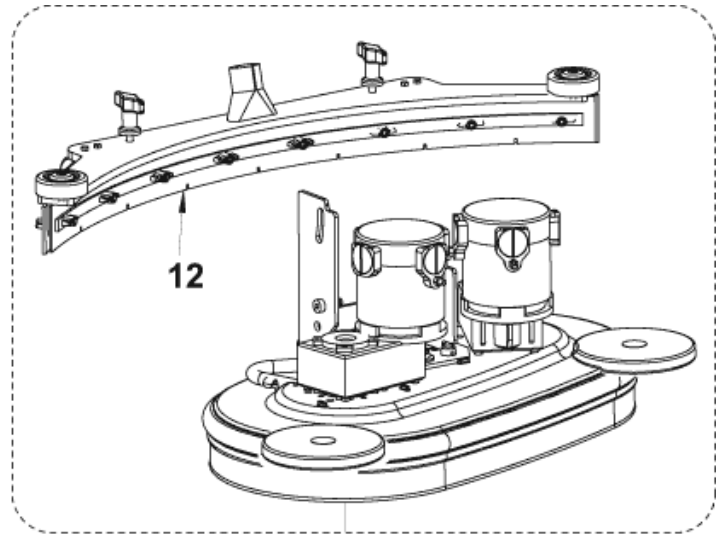
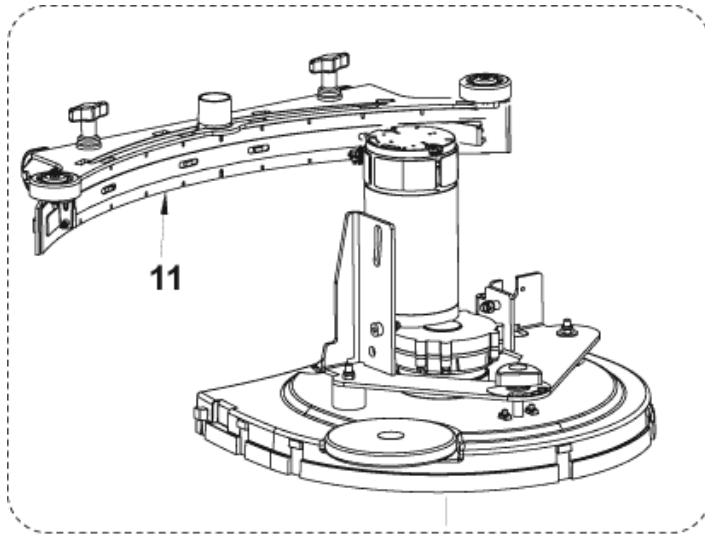
BA551/BA551D/BA551CD/BA611D

16-01-2015

StyMiste ID

E186142

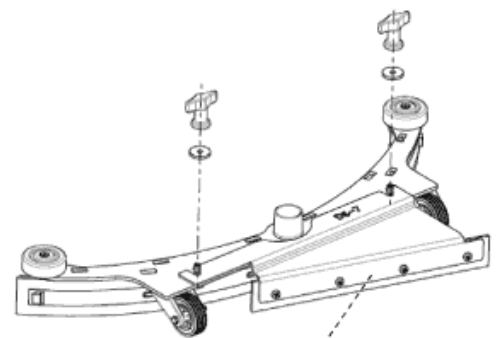
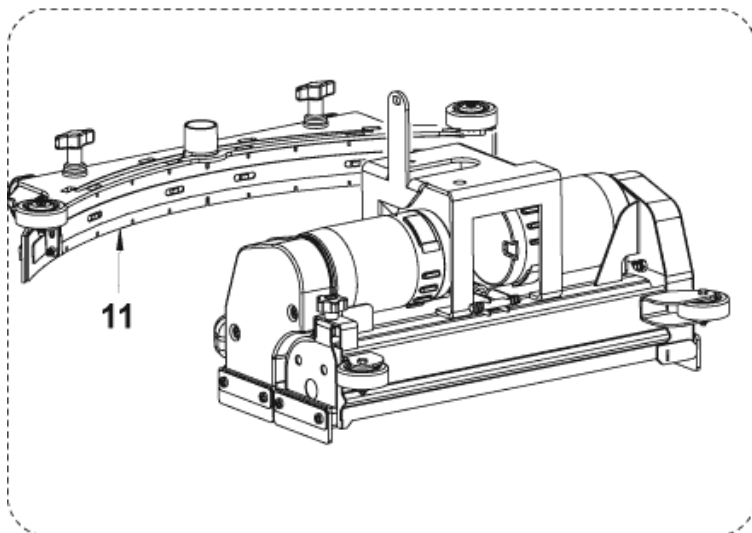
29



9

3

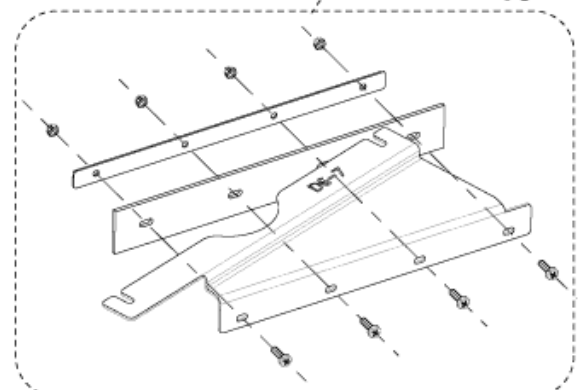
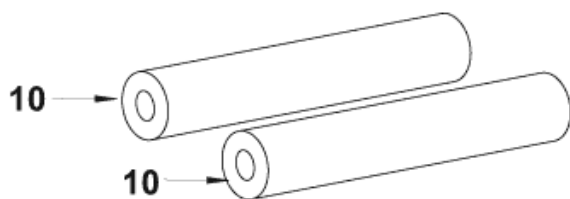
8



10

10

13



# Tilbehør

BA551/BA551D/BA551CD/BA611D

16-01-2015

StyMiste ID

E186142

30

| Pos | Vare nr.     | Ant | Beskrivelse                           |
|-----|--------------|-----|---------------------------------------|
| 1   | 909 6848 000 | 1   | DECK BRUSH 530MM/21 KIT WITH          |
| 2   | L08837025    | 1   | Børste Prolene 21" Ø530 mm            |
| 2   | L08837026    | 1   | Børste Prolite 21" Ø530 mm            |
| 2   | L08837027    | 1   | Børste Union Mix 21" Ø530 mm          |
| 2   | L08837028    | 1   | Børste Midlite Grit 240 21" Ø530 mm   |
| 2   | L08837029    | 1   | Børste Clean Grit 21" Ø530 mm         |
| 2   | L08837065    | 1   | Børste Magna Grit 46 21" Ø530 mm      |
| 2   | L08837066    | 1   | Børste Dyna Grit 80 21" Ø530 mm       |
| 2   | L08837067    | 1   | Børste Aglite Grit 500 21" Ø530 mm    |
| 3   | 9099671000   | 1   | Rondelholder 20" Ø508 mm Velcro       |
| 4   | L08603966    | 1   | Ring Nylon                            |
| 5   | 56505195     | 1   | Rondellås Lynkobling                  |
| 6   | 909 6850 000 | 1   | Børstedæk M/Sugefod 61Cm              |
| 7   | L08603842    | 2   | Børste Prolene 12" Ø305 mm            |
| 7   | L08603872    | 2   | Børste Midlite Grit 240 12" Ø305 mm   |
| 7   | L08603873    | 2   | Børste Mid Grit 180 12" Ø305 mm       |
| 7   | L08603874    | 2   | Børste Prolite 12" Ø305 mm            |
| 7   | L08603875    | 2   | Børste Union Mix 12" Ø305 mm          |
| 8   | L08603939    | 2   | Rondelholder 12" Ø305 mm              |
| 9   | 909 6849 000 | 1   | DECK BRUSH 510MM/20 CYL KIT           |
| 10  | 909 5823 000 | 2   | Cylindrisk børste polypropylen 510 mm |
| 10  | 909 5824 000 | 2   | Cylindrisk børste polypropylen 510 mm |
| 10  | 909 5825 000 | 2   | Cylindrisk børste polypropylen 510 mm |
| 11  | 909 6851 000 | 1   | Sugefod, komplet                      |
| 11  | L08603878    | 1   | Squeegee Komp.Ba450/530               |
| 12  | 9097539000   | 1   | Squeegee Cpl. BA 611 D Kit            |
| 13  | 9098343000   | 1   | Tredje Sugelæbe Kit 451/531 551/611   |

INST.INSTR. 9098337000

# Control panel system BA 551

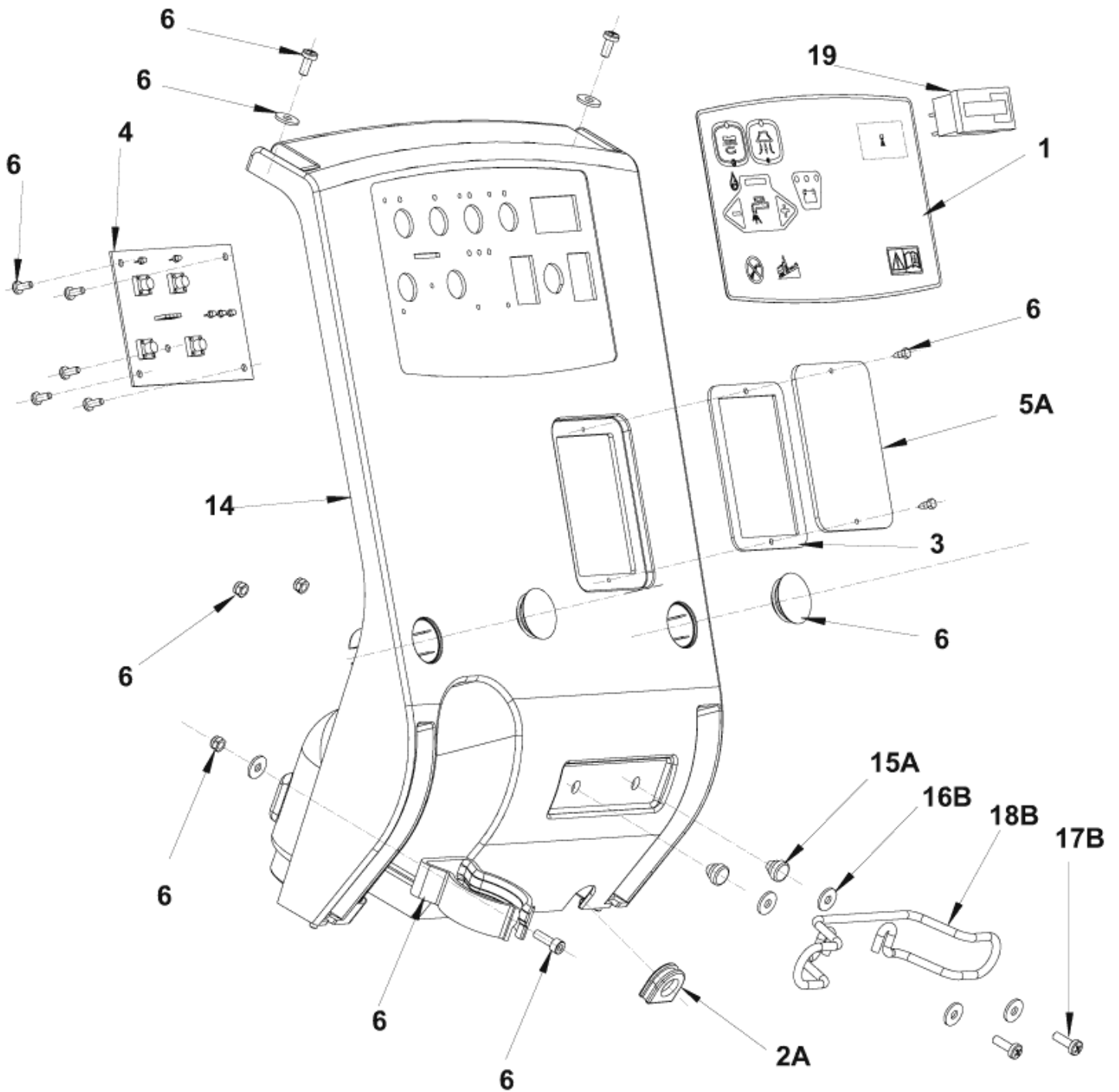
BA551/BA551D/BA551CD/BA611D

16-01-2015

StyMiste ID

E186145

31



# Control panel system BA 551

BA551/BA551D/BA551CD/BA611D

16-01-2015

StyMiste ID

E186145

32

| Pos | Vare nr.     | Ant | Beskrivelse                   |                                    |
|-----|--------------|-----|-------------------------------|------------------------------------|
| 0   | 145 8368 000 | 1   | Säkring                       |                                    |
| 1   | 9098635000   | 1   | Decal Control Panel           |                                    |
| 3   | 909 6545 000 | 1   | GASKET                        |                                    |
| 4   | 909 6552 000 | 1   | Elektronikkort BA 531         | BEFORE SERIAL NO. 072115094        |
| 4   | 9100000174   | 1   | CARD ELECTRONIC FUNCTIONS KIT | STARTING FROM SERIAL NO. 072115094 |
| 6   | 9098302000   | 1   | Hardware Control Panel Ki T   |                                    |
| 14  | 9097649000   | 1   | Cov er Control Panel Kit      |                                    |
| 19  | 9096951000   | 1   | Timetæller kit, 24 V          | INST.INSTR. 9096952000             |
| 2A  | 909 6542 000 | 1   | GROMMET                       |                                    |
| 5A  | 909 6655 000 | 1   | Cov er Inspection Plate       |                                    |
| 15A | 909 6553 000 | 2   | FEET RUBBER                   |                                    |
| 16B | 145 1261 000 | 4   | Plain Washer 5X15 Zn          |                                    |
| 17B | 146 2090 000 | 2   | SCREW M5X16 UNI7687           |                                    |
| 18B | 1466317000   | 1   | SUPPORT CABLE KIT             |                                    |

A : ONLY VERSION WITHOUT BATTERY CHARGER ON BOARD

B : ONLY VERSION WITH BATTERY CHARGER ON BOARD



# Control panel system BA 551D-551CD-611D

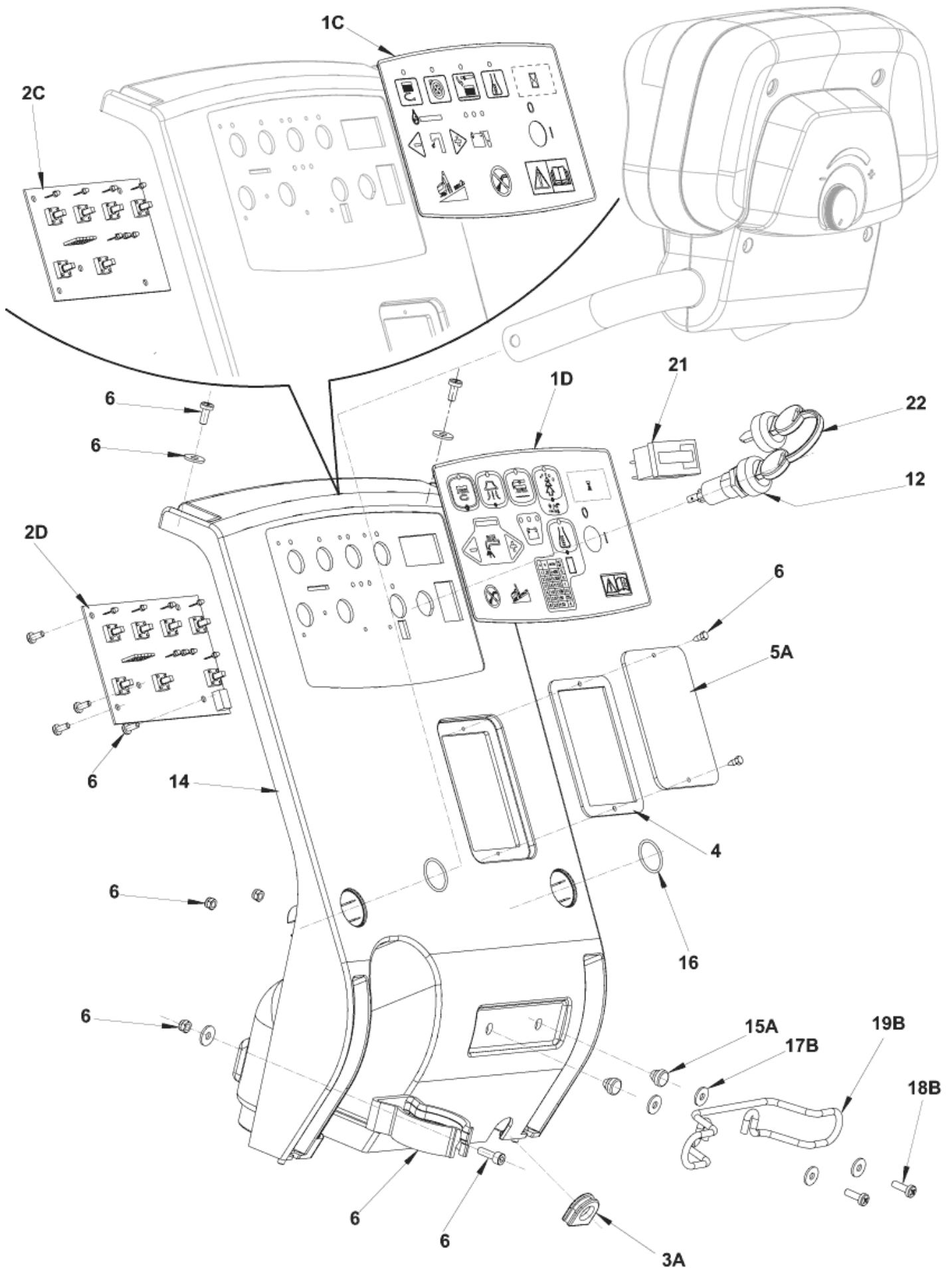
BA551/BA551D/BA551CD/BA611D

16-01-2015

StyMiste ID

E186147

33



# Control panel system BA 551D-551CD-611D

BA551/BA551D/BA551CD/BA611D

16-01-2015

StyMiste ID

E186147

34

| Pos | Vare nr.     | Ant | Beskrivelse   |
|-----|--------------|-----|---|
| 0   | 145 8368 000 | 2   | Säkring   |
| 0   | 909 6678 000 | 1   | FUSE 20A GLASS DELAYED  |
| 2   | 909 6499 000 | 1   | Card,Electronic Control P<br>BEFORE SERIAL NO. 072014255                            |
| 4   | 909 6545 000 | 1   | GASKET  |
| 6   | 9098302000   | 1   | Hardware Control Panel Ki T   |
| 12  | 146 2888 000 | 1   | Tændingsnøgle   |
| 14  | 9098632000   | 1   | Panel   |
| 16  | 909 6675 000 | 2   | O-RING 1.78X21.95 -2087- NBR  |
| 1C  | 909 6057 000 | 1   | Decal Control Panel<br>UNTIL MAY 2010   |
| 1D  | 9098634000   | 1   | Decal Control Panel Ecoflex<br>STARTING FROM JUNE 2010                              |
| 21  | 9096951000   | 1   | Timetæller kit, 24 V<br>INST.INSTR. 9096952000                                      |
| 22  | 146 2887 000 | 1   | Nøgle (2 Pcs) Ba510Sd   |
| 2C  | 9100000175   | 1   | CARD ELECTRONIC FUNCTIONS KIT<br>STARTING FROM SERIAL NO. 072014255 - UNTIL MAY 201 |
| 2D  | 9100000179   | 1   | CARD ELECTRONIC FUNCTIONS KIT<br>STARTING FROM JUNE 2010                            |
| 3A  | 909 6542 000 | 1   | GROMMET   |
| 5A  | 909 6655 000 | 1   | Cover Inspection Plate  |
| 15A | 909 6553 000 | 2   | FEET RUBBER   |
| 17B | 145 1261 000 | 4   | Plain Washer 5X15 Zn  |
| 18B | 146 2090 000 | 2   | SCREW M5X16 UNI7687   |
| 19B | 1466317000   | 1   | SUPPORT CABLE KIT   |

A : ONLY VERSION WITHOUT BATTERY CHARGER ON BOARD

B : ONLY VERSION WITH BATTERY CHARGER ON BOARD

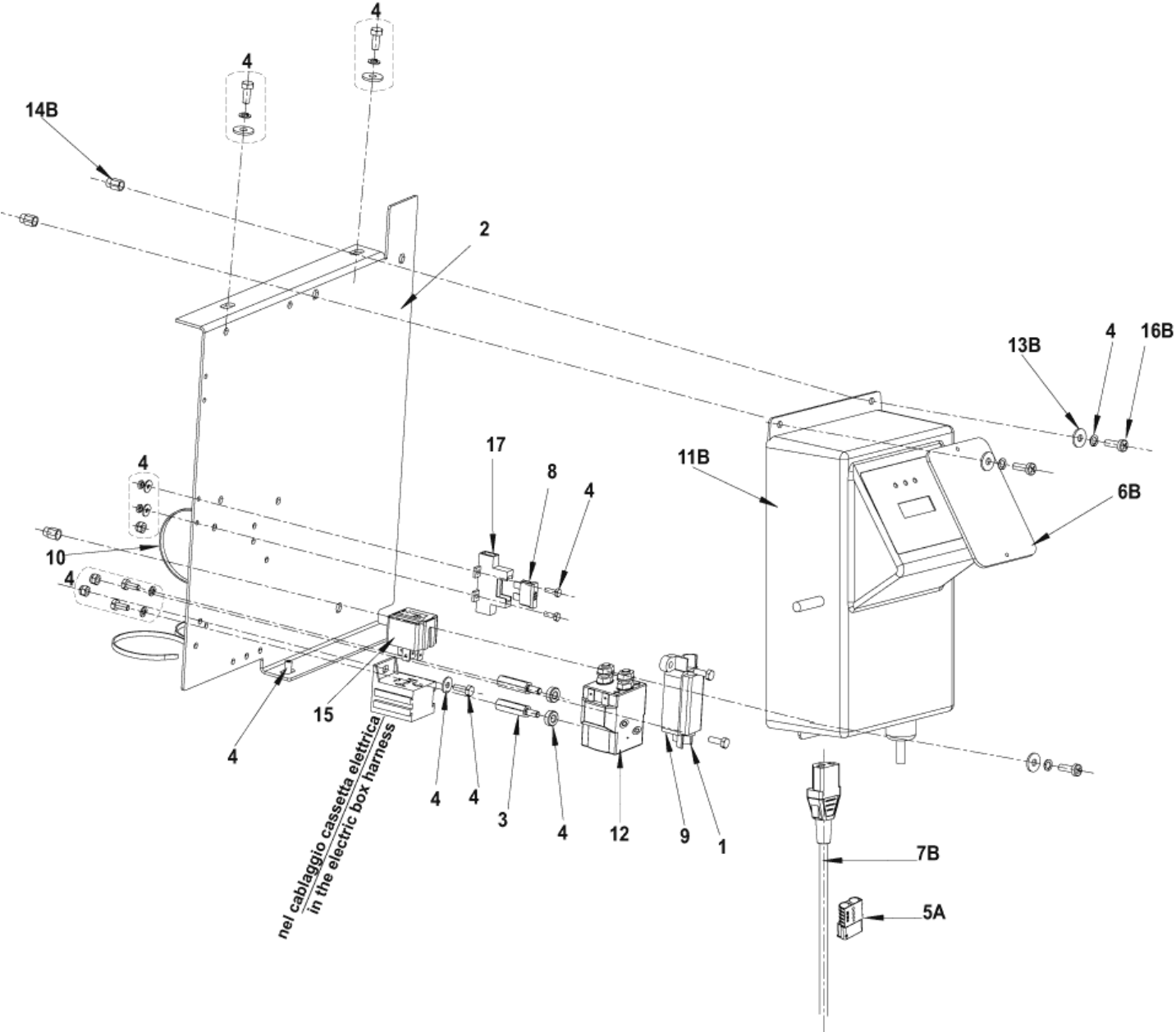
# Electrical components BA 551

BA551/BA551D/BA551CD/BA611D

16-01-2015

StyMiste ID  
E186149

35



# Electrical components BA 551

BA551/BA551D/BA551CD/BA611D

16-01-2015

StyMiste ID

E186149

36

| Pos | Vare nr.     | Ant | Beskrivelse   |
|-----|--------------|-----|---|
| 0   | 909 6613 000 | 1   | HARNESS VACUUM MOTOR                                    |
| 0   | 909 6614 000 | 1   | HARNESS MACHINE   |
| 0   | 909 6614 000 | 1   | HARNESS MACHINE BEFORE S. NO. 070503008                 |
| 0   | 909 6616 000 | 1   | HARNESS ELECTRIC BOX BEFORE S. NO. 070503008            |
| 0   | 909 6618 000 | 1   | Harness Battery   |
| 0   | 9096961000   | 1   | Harness Machine STARTING FROM SERIAL NO. 070503008      |
| 0   | 9096963000   | 1   | HARNESS ELECTRIC BOX STARTING FROM SERIAL NO. 070503008 |
| 0   | 9097590000   | 1   | Batteri Kabel   |
| 1   | 145 8046 000 | 1   | Säkeringshållare  |
| 2   | 909 6498 000 | 1   | SUPPORT ELECTRIC COMP.                                  |
| 3   | 909 6676 000 | 2   | SPACER M4 L25   |
| 4   | 9098303000   | 1   | HARDWARE ELECTRIC SYSTEM KIT                            |
| 8   | 145 8513 000 | 1   | Sikring 30A   |
| 9   | 145 3824 000 | 1   | Sikring 40A,Bladsikring                                 |
| 10  | 145 1449 000 | 3   | TIE CABLE 3.6x140 BLACK                                 |
| 12  | 9097208000   | 1   | Vacum Relæ 24V  |
| 15  | 909 6622 000 | 1   | Relæ 24V 40A  |
| 17  | 146 0660 000 | 2   | Holder Fuse   |
| 5A  | 9098762000   | 1   | Ladestik, Rød 120 A                                     |
| 6B  | 909 5313 000 | 1   | Plate Inspection Transp.                                |
| 7B  | 909 5633 000 | 1   | Ladeledning Ba410                                       |
| 7B  | 909 5676 000 | 1   | CABLE EXTENSION UK PLUG L.1000MM                        |
| 7B  | 9096914000   | 1   | Cable Extension Us Plug                                 |
| 11B | 9098297000   | 1   | Lader (Indbygget) 24V 13A                               |
| 13B | 33005913     | 3   | Skive M6 UNI6592  |
| 14B | 145 6132 000 | 3   | INSERT M5   |
| 16B | 146 1711 000 | 3   | SCREW M5X20 UNI7687                                     |

A : ONLY VERSION WITHOUT BATTERY CHARGER ON BOARD

B : ONLY VERSION WITH BATTERY CHARGER ON BOARD

# Electrical components BA 551D-551CD-611D

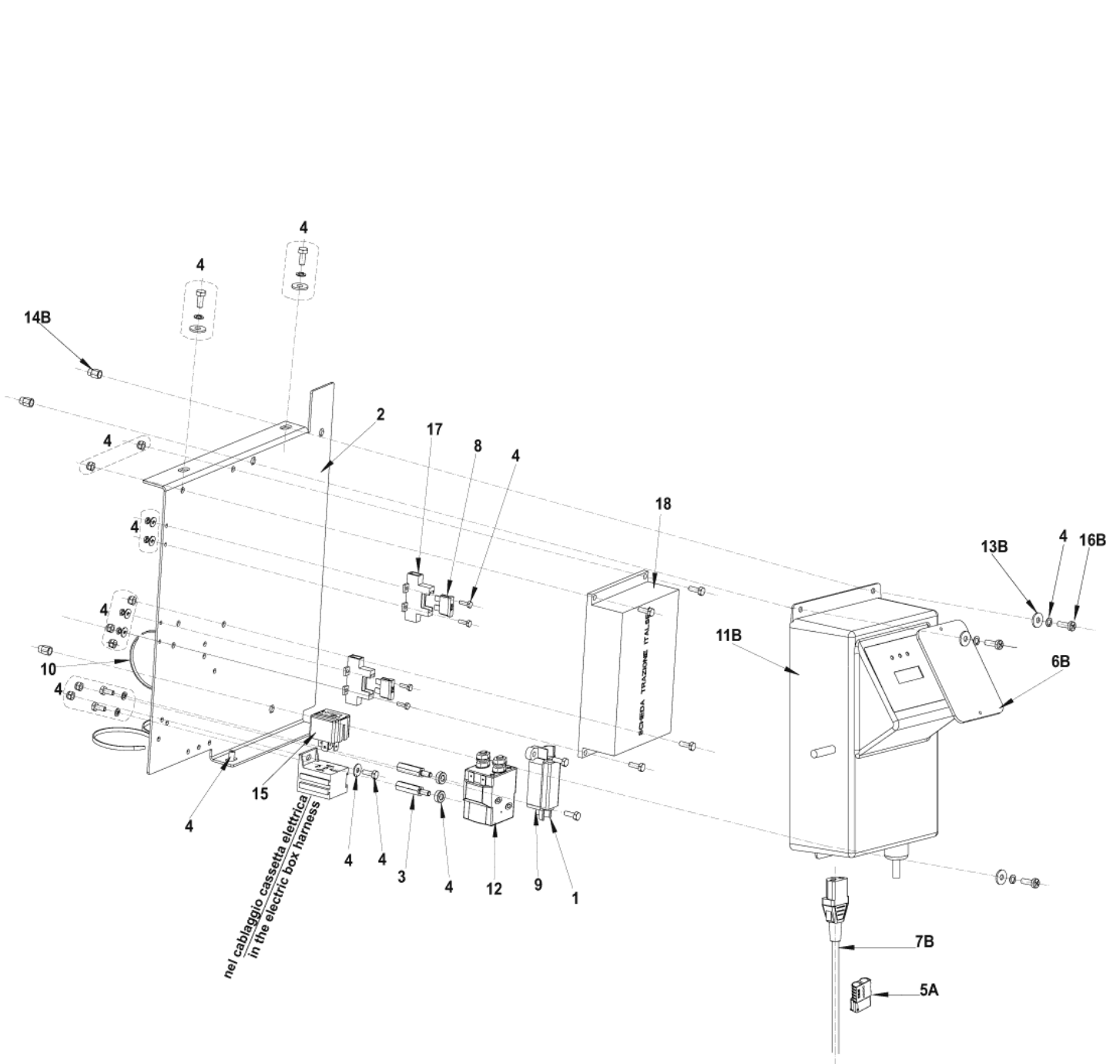
BA551/BA551D/BA551CD/BA611D

16-01-2015

StyMiste ID

E186151

37



# Electrical components BA 551D-551CD-611D

BA551/BA551D/BA551CD/BA611D

16-01-2015

StyMiste ID

E186151

38

| Pos | Vare nr.     | Ant | Beskrivelse   |
|-----|--------------|-----|---|
| 0   | 909 6613 000 | 1   | HARNESS VACUUM MOTOR  |
| 0   | 909 6615 000 | 1   | HARNESS TRACTION MACHINE BEFORE S.NO. 065027814                         |
| 0   | 909 6617 000 | 1   | HARNESS ELECTRIC BOX BEFORE S.NO. 065027814                             |
| 0   | 909 6618 000 | 1   | Harness Battery   |
| 0   | 9096962000   | 1   | HARNESS TRACTION MACHINE STARTING FROM S.NO. 065027814                  |
| 0   | 9096964000   | 1   | HARNESS ELECTRIC BOX STARTING FROM S.NO. 065027814                      |
| 0   | 9097590000   | 1   | Batteri Kabel   |
| 0   | 9098639000   | 1   | HARNESS TRACTION MACHINE STARTING FROM JUNE 2010                        |
| 1   | 145 8046 000 | 1   | Säkeringshållare  |
| 2   | 909 6498 000 | 1   | SUPPORT ELECTRIC COMP.  |
| 3   | 909 6676 000 | 2   | SPACER M4 L25   |
| 4   | 9098303000   | 1   | HARDWARE ELECTRIC SYSTEM KIT contains all Hardware shown in this system |
| 8   | 145 8513 000 | 2   | Sikring 30A   |
| 9   | 145 3824 000 | 1   | Sikring 40A,Bladsikring   |
| 10  | 145 1449 000 | 3   | TIE CABLE 3.6x140 BLACK   |
| 12  | 9097209000   | 1   | Switch Electromagnetic 24V  |
| 15  | 909 6622 000 | 1   | Relæ 24V 40A  |
| 17  | 146 0660 000 | 2   | Holder Fuse   |
| 18  | 9100000173   | 1   | CARD ELECTRONIC TRACTION KIT  |
| 5A  | 9098762000   | 1   | Ladestik, Rød 120 A   |
| 6B  | 909 5313 000 | 1   | Plate Inspection Transp.  |
| 7B  | 909 5633 000 | 1   | Ladeledning Ba410   |
| 7B  | 909 5676 000 | 1   | CABLE EXTENSION UK PLUG L.1000MM  |
| 7B  | 9096914000   | 1   | Cable Extension Us Plug   |
| 11B | 9098297000   | 1   | Lader (Indbygget) 24V 13A   |
| 13B | 33005913     | 3   | Skive M6 UNI6592  |
| 14B | 145 6132 000 | 3   | INSERT M5   |
| 16B | 146 1711 000 | 3   | SCREW M5X20 UNI7687   |

A : ONLY VERSION WITHOUT BATTERY CHARGER ON BOARD

B : ONLY VERSION WITH BATTERY CHARGER ON BOARD

# Accessories BA 551-551D-611D

BA551/BA551D/BA551CD/BA611D

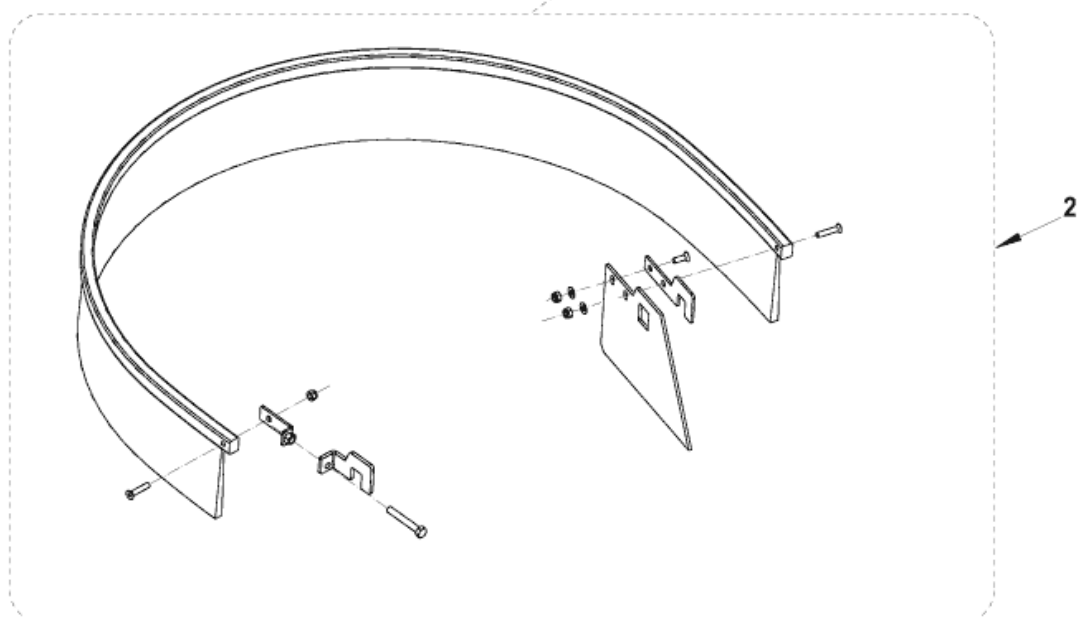
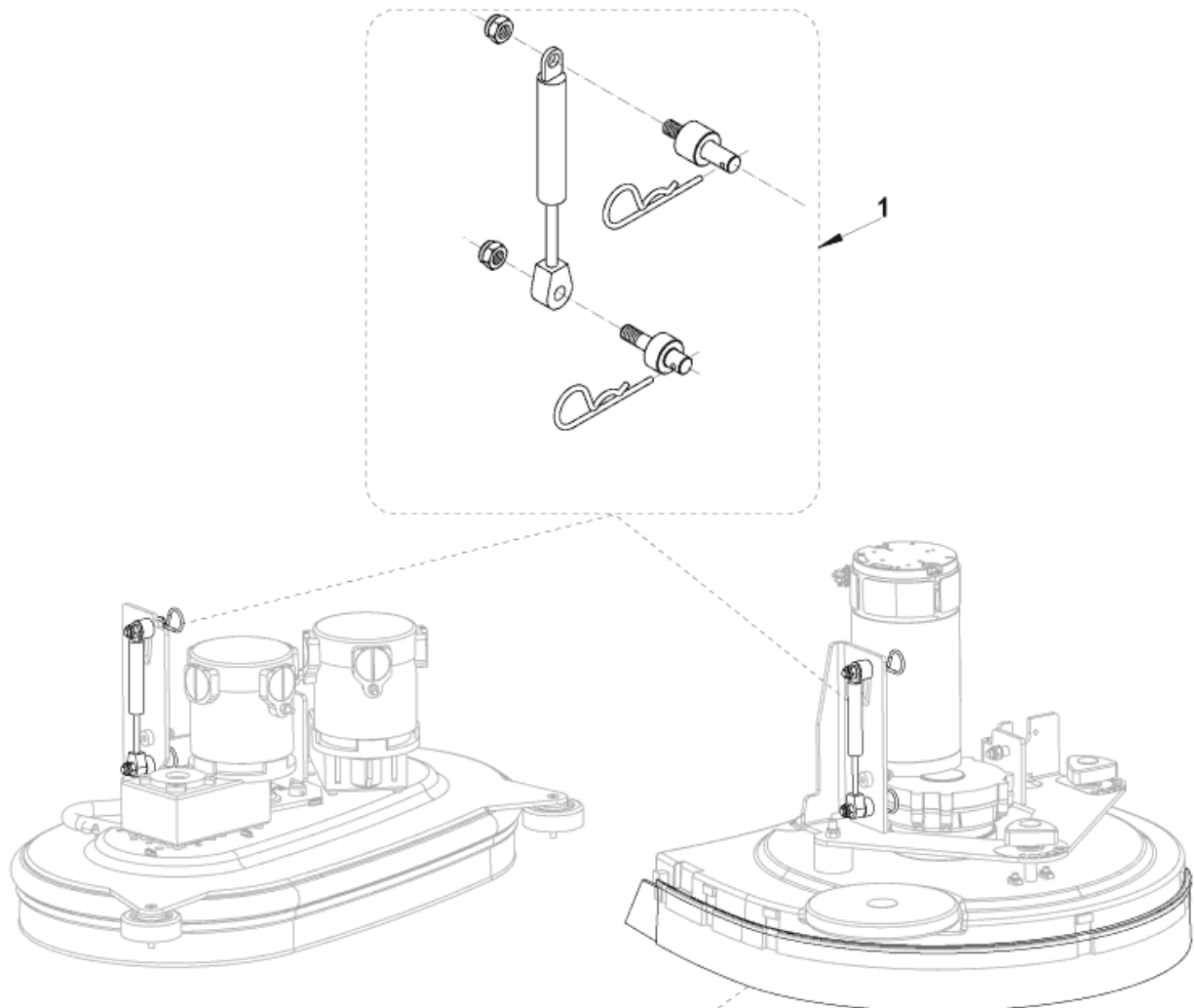
16-01-2015

StyMiste ID

E186153

39

## KIT EXTRA PRESSIONE - EXTRA PRESSURE KIT ( BA 551 / BA 611 D )



## KIT PARASPRUZZI 20" - SPLASH GUARD 20" KIT ( BA 551 / BA 551 D )

# Accessories BA 551-551D-611D

BA551/BA551D/BA551CD/BA611D

16-01-2015

StyMiste ID

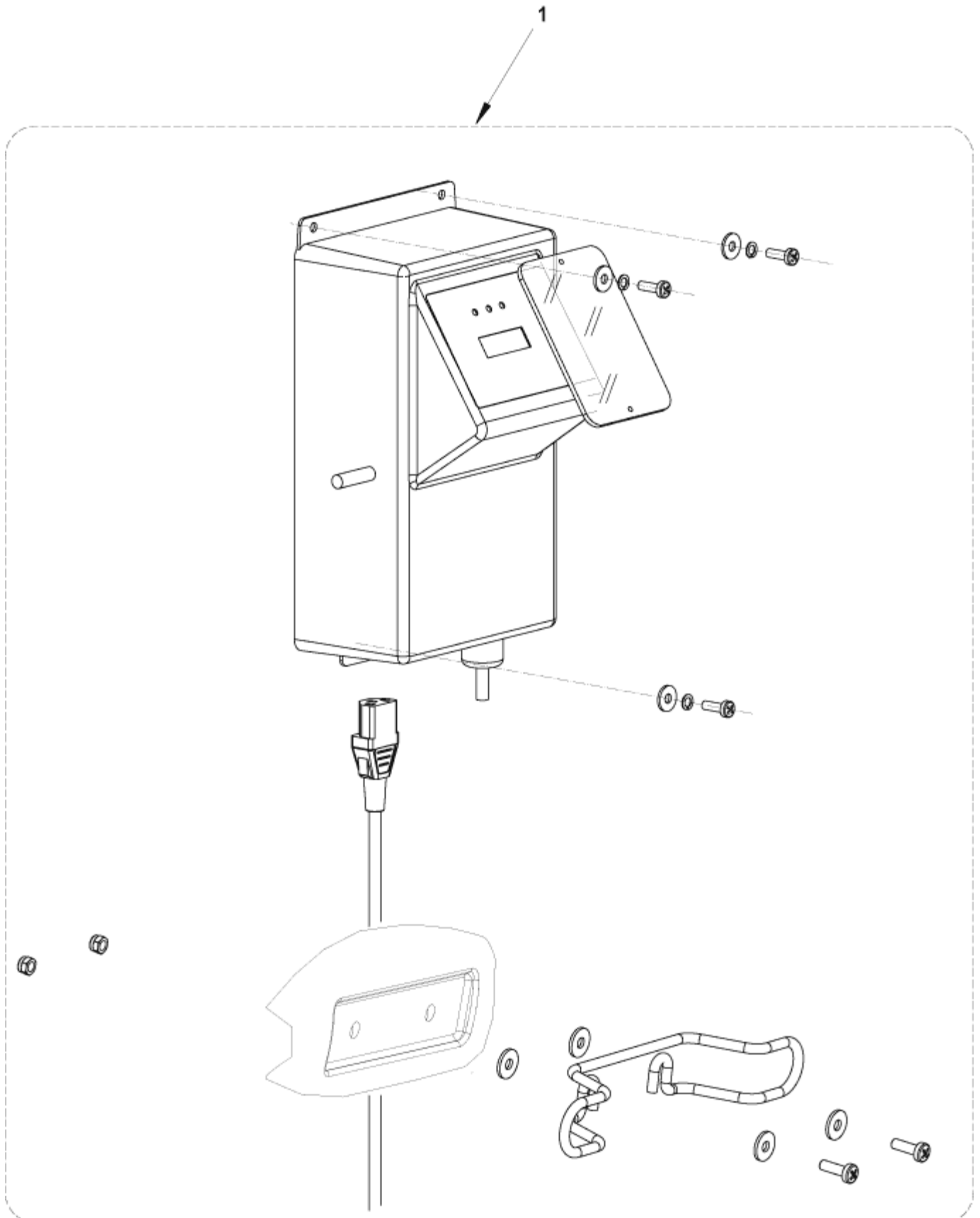
E186153

40

| Pos | Vare nr.     | Ant | Beskrivelse                 |                          |
|-----|--------------|-----|-----------------------------|--------------------------|
| 1   | 909 6738 000 | 1   | Børstetryk Ekstra Kit       | INST.INSTR. 909 6759 000 |
| 2   | 909 6736 000 | 1   | Børsteinddækningssæt 530 mm | INST.INSTR. 909 6745 000 |



## KIT CARICABATTERIA - BATTERY CHARGER KIT



# Accessories BA 551-551D-551CD-611D

BA551/BA551D/BA551CD/BA611D

16-01-2015

StyMiste ID

E186155

42

| Pos | Vare nr.     | Ant | Beskrivelse                             |   |
|-----|--------------|-----|---|---|
| 0   | 909 5633 000 | 1   | Ladeledning Ba410                       | EU                                      |
| 0   | 9096914000   | 1   | Cable Extension Us Plug                 | US                                      |
| 0   | 9098259000   | 1   | CHARGER BATT. ON BOARD 24V 10A 100V KIT | JAPAN -OPTIONAL- INST.INSTR. 9098262000 |
| 0   | 9098260000   | 1   | CHARGER BATT. ON BOARD 24V 10A 100V     | JAPAN                                   |
| 1   | 909 6739 000 | 1   | Indbygget oplader kit                   | EU -OPTIONAL- INST.INSTR. 909 6746 000  |

# Accessories BA 551D-551CD- 611D

BA551/BA551D/BA551CD/BA611D

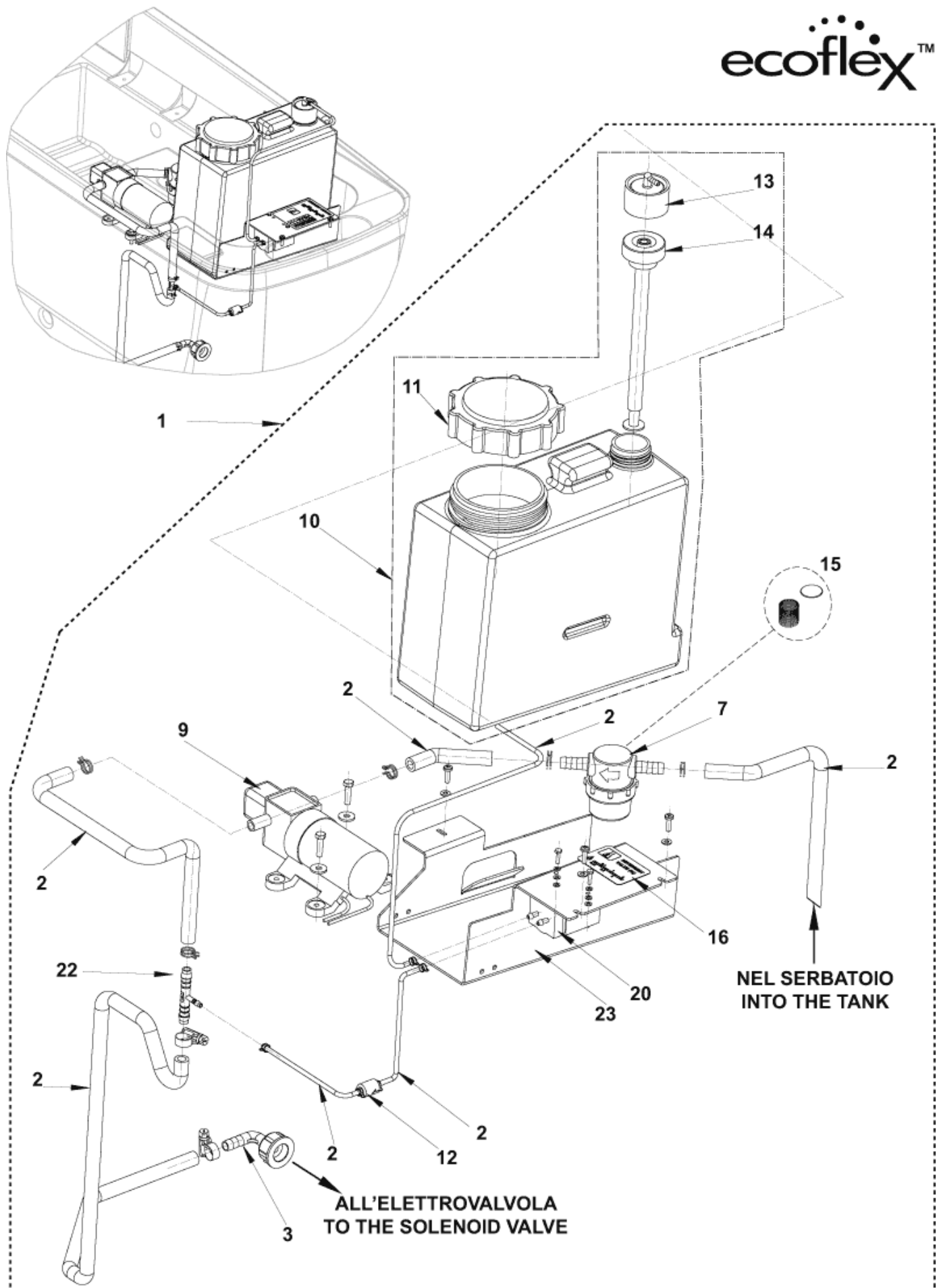
16-01-2015

StyMiste ID

E186157

43

ecoflex™



# Accessories BA 551D-551CD- 611D

BA551/BA551D/BA551CD/BA611D

16-01-2015

StyMiste ID

E186157

44

| Pos | Vare nr.     | Ant | Beskrivelse  |
|-----|--------------|-----|--|
| 0   | 909 6187 000 | 1   | HARNES PUMP  |
| 0   | 909 6902 000 | 1   | DECAL REWRITABLE 176X111MM                           |
| 0   | 9097773000   | 1   | Decals Kit BA 551/611                                |
| 0   | 9098264000   | 1   | HARDWARE EDS SYSTEM KIT                              |
| 1   | 909 6744 000 | 1   | Ecoflex Kit BA 551/611 D<br>INST.INSTR. 909 6747 000 |
| 2   | 909 6807 000 | 1   | HOSES CHEMICAL MIX KIT                               |
| 3   | 9098777000   | 1   | Vinkel   |
| 7   | 9097166000   | 1   | Filter Complete Kit                                  |
| 9   | 56315108     | 1   | Pumpe 24V  |
| 10  | 909 6903 000 | 1   | Ecoflex Kemibeholder Kit                             |
| 11  | 56315517     | 1   | Låg Ecoflex Beholder Stort                           |
| 12  | 56315522     | 1   | Check Valve 1/8 Barb 12 5Psi                         |
| 13  | 56315523     | 1   | Låg Ecoflex Beholder Lille                           |
| 14  | 56315527     | 1   | Rør Ecoflex Beholder                                 |
| 15  | L08603893    | 1   | Filternet+Pakn. Til 909 5151 000                     |
| 16  | 909 6592 000 | 1   | DECAL DETERGENT ADJUST.                              |
| 20  | 909 6183 000 | 1   | Pumpe, Kemikalie Eds                                 |
| 22  | 909 6092 000 | 1   | HOLDER RUBBER T                                      |
| 23  | 909 6535 000 | 1   | BRACKET CHEMICAL MIX BOX                             |

# Wiring diagram BA 551

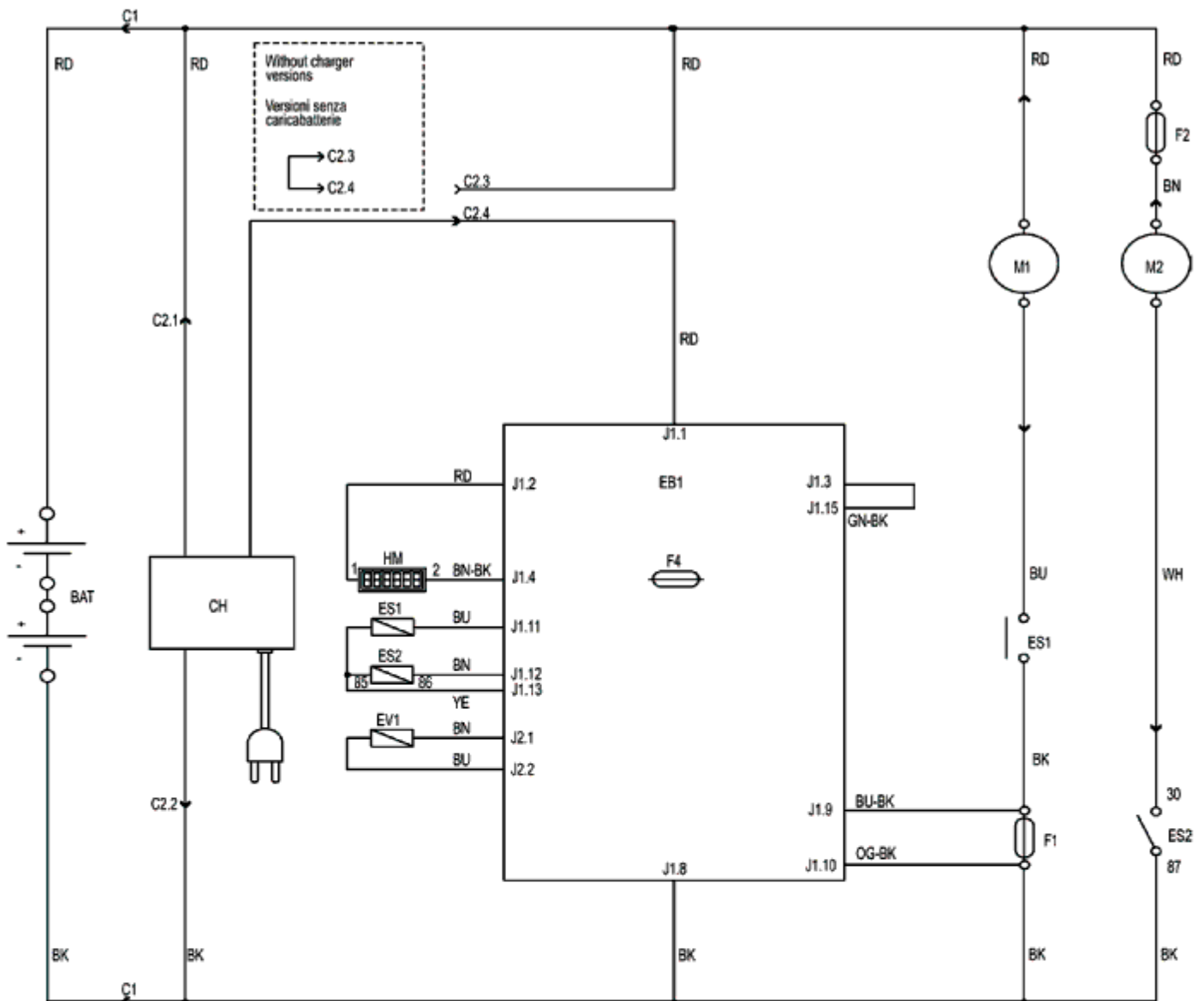
BA551/BA551D/BA551CD/BA611D

16-01-2015

StyMiste ID

E186158

45



WIRING DIAGRAM  
BA 551  
Rev. A  
909 6530 000

| COMPONENTS / COMPONENTI |                               |                                       |
|-------------------------|-------------------------------|---------------------------------------|
| BAT                     | 24V BATTERIES                 | BATTERIE 24V                          |
| C1                      | BATTERY CONNECTOR             | CONNETTORE BATTERIE                   |
| C2                      | CHARGER CONNECTOR             | CONNETTORE CARICABATTERIE             |
| CH                      | BATTERY CHARGER (OPT)         | CARICABATTERIE (OPT)                  |
| CS                      | BRUSH DECK CONNECTOR          | CONNETTORE TESTATA SPAZZOLE           |
| EB1                     | CONTROL PANEL BOARD           | SCHEDA ELETTRONICA CONTROLLO FUNZIONI |
| ES1                     | BRUSH MOTOR ELECTROM. SWITCH  | TELERUTTORE MOTORI SPAZZOLE           |
| ES2                     | VACUUM MOTOR ELECTROM. SWITCH | RELE' ASPIRATORE                      |
| EV1                     | WATER ELECTROVALVE            | ELETTROVALVOLA ACQUA                  |
| F1                      | BRUSH DECK FUSE               | FUSIBILE TESTATA SPAZZOLE             |
| F2                      | VACUUM MOTOR FUSE             | FUSIBILE ASPIRATORE                   |
| F4                      | LOW POWER CIRCUIT FUSE        | FUSIBILE CIRCUITI DI SEGNALE          |
| HM                      | HOURMETER (OPT)               | CONTAORE (OPT)                        |
| M1                      | BRUSH MOTOR                   | MOTORE SPAZZOLA                       |
| M2                      | VACUUM MOTOR                  | MOTORE ASPIRATORE                     |

# Wiring diagram BA 551

BA551/BA551D/BA551CD/BA611D

16-01-2015

StyMiste ID

E186158

46

# Wiring diagram BA 551D-551CD-611D

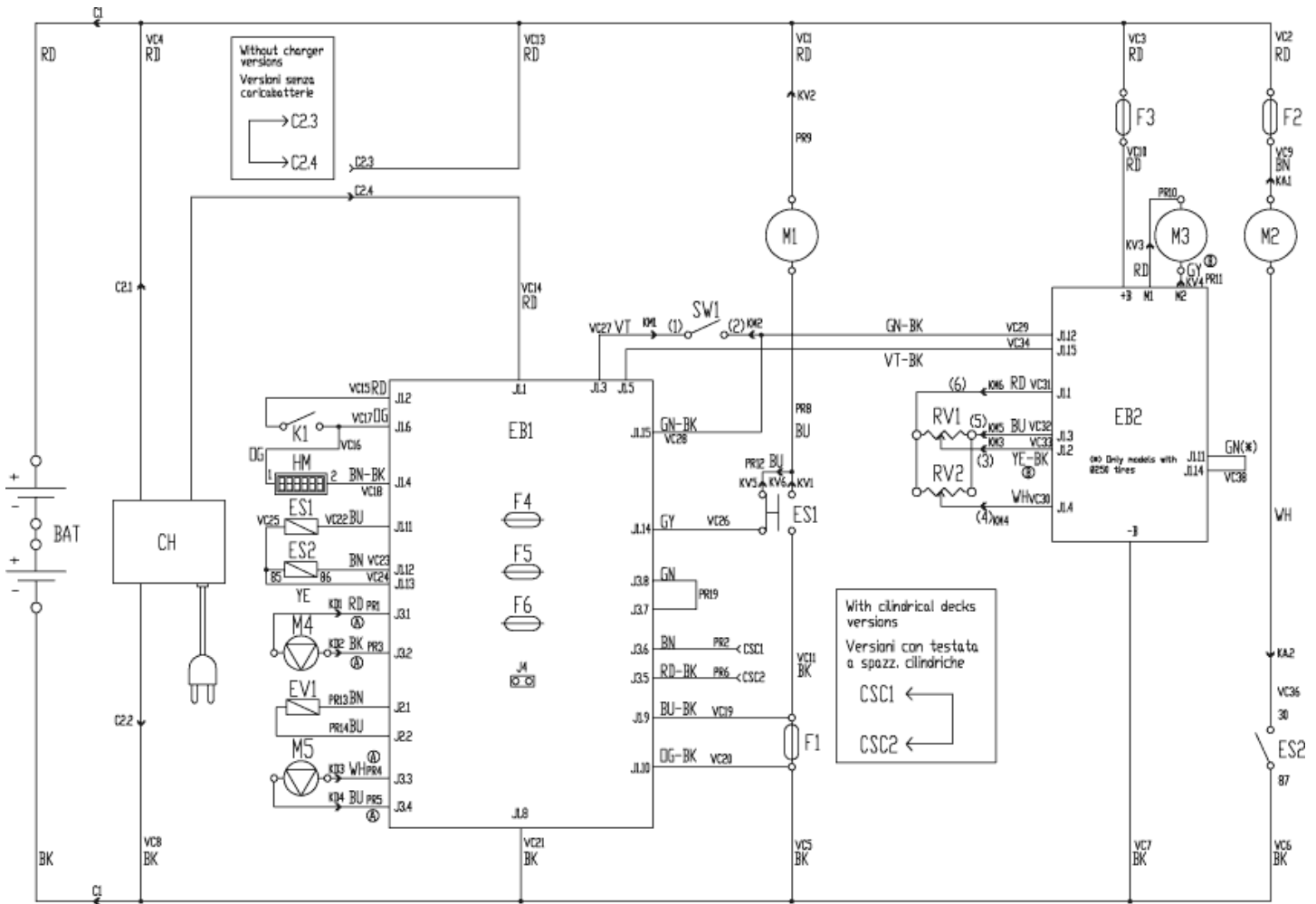
BA551/BA551D/BA551CD/BA611D

16-01-2015

StyMiste ID

E186159

47



## WIRING DIAGRAM - BA 551D / BA 551CD / BA 611D

Rev. C

909 6529 000

| COMPONENTS / COMPONENTI |                                      |   |     |                             |   |
|-------------------------|--------------------------------------|---|-----|-----------------------------|---|
| BAT                     | 24V BATTERIES                        | BATTERIE 24V                                | K1  | KEY SWITCH                  | CHIAVE                                  |
| C1                      | BATTERY CONNECTOR                    | CONNETTORE BATTERIE                         | M1  | BRUSH MOTOR                 | MOTORE SPAZZOLA                         |
| C2                      | CHARGER CONNECTOR                    | CONNETTORE CARICABATTERIE                   | M2  | VACUUM MOTOR                | MOTORE ASPIRATORE                       |
| CH                      | BATTERY CHARGER (OPT)                | CARICABATTERIE (OPT)                        | M3  | DRIVE MOTOR                 | MOTORE TRAZIONE                         |
| CSC                     | CILINDRICAL DECK SECONDARY CONNECTOR | CONN. SECONDARIO TESTATA SPAZZ. CILINDRICHE | M4  | WATER PUMP (OPT)            | POMPA ACQUA (OPT)                       |
| EB1                     | CONTROL PANEL BOARD                  | SCHEDA ELETTRONICA CONTROLLO FUNZIONI       | M5  | DETERGENT PUMP (OPT)        | POMPA DETERGENTE (OPT)                  |
| EB2                     | DRIVE ELECTRONIC BOARD               | SCHEDA ELETTRONICA TRAZIONE                 | RV1 | SPEED POTENTIOMETER         | POTENZIOMETRO VELOCITA'                 |
| ES1                     | BRUSH MOTOR ELECTROM. SWITCH         | TELERUTTORE MOTORI SPAZZOLE                 | RV2 | MAX SPEED POTENTIOMETER     | POTENZIOMETRO VELOCITA' MASSIMA         |
| ES2                     | VACUUM MOTOR ELECTROM. SWITCH        | RELE' ASPIRATORE                            | SW1 | BRUSHES / DRIVE MICROSWITCH | MICROINTERR. CONSENSO SPAZZOLE/TRAZIONE |
| EV1                     | ELECTROVALVE                         | ELETTROVALVOLA                              |     |                             |   |
| F1                      | BRUSH DECK FUSE                      | FUSIBILE TESTATA SPAZZOLE                   |     |                             |   |
| F2                      | VACUUM MOTOR FUSE                    | FUSIBILE ASPIRATORE                         |     |                             |   |
| F3                      | DRIVE SYSTEM FUSE                    | FUSIBILE SISTEMA DI TRAZIONE                |     |                             |   |
| F4                      | LOW POWER CIRCUIT FUSE               | FUSIBILE CIRCUITI DI SEGNALE                |     |                             |   |
| F5                      | BRUSH RELEASE FUSE                   | FUSIBILE SGANCIO SPAZZOLE                   |     |                             |   |
| F6                      | PUMP FUSE                            | FUSIBILE POMPE                              |     |                             |   |
| HM                      | HOURMETER (OPT)                      | CONTAORE (OPT)                              |     |                             |   |

# Wiring diagram BA 551D-551CD-611D

BA551/BA551D/BA551CD/BA611D

16-01-2015

StyMiste ID

E186159

48



# ANBEFALEDE RESERVEDELE

BA551/BA551D/BA551CD/BA611D

16-01-2015

StyMiste ID

E186160

49

Ingen tegning

# ANBEFALEDE RESERVEDELE

BA551/BA551D/BA551CD/BA611D

16-01-2015

StyMiste ID

E186160

50

| Pos | Vare nr.     | Ant | Beskrivelse                                     |
|-----|--------------|-----|---|
| 1   | 909 6671 000 | 1   | Rentv andsfiler                                 |
| 2   | 909 6521 000 | 1   | Slange For Rent Vand                            |
| 3   | L08812457    | 1   | Cap Tank  |
| 4   | 909 6554 000 | 1   | Cap With Chain                                  |
| 5   | 909 6874 000 | 1   | Cable Tank Kit                                  |
| 6   | 9098265000   | 1   | Mont.Sæt F. Rentvandstank                       |
| 7   | 9099852000   | 1   | Sugeslange                                      |
| 8   | 9099165000   | 1   | Aftapningslange                                 |
| 9   | L08812259    | 2   | Kompl.Fly der F.Ba450/530 F.BA 450/530          |
| 10  | L08812373    | 1   | Float Ball F.BA 450/530                         |
| 11  | L08812968    | 1   | Pakning Ba430/510                               |
| 12  | 145 0543 000 | 2   | Passring  |
| 13  | 909 6899 000 | 1   | Dæksel  |
| 14  | 9099986000   | 1   | HOSE ANTIREFLOW                                 |
| 15  | 909 6877 000 | 1   | Hardware Motor Fixing Kit                       |
| 16  | 909 6876 000 | 1   | Hardware Cage Sup.Fix.Kit                       |
| 17  | 9099401000   | 1   | Motor Vacuum Kit                                |
| 18  | 909 5371 000 | 2   | Kul, Sugemotor 410/343                          |
| 19  | 909 6491 000 | 1   | Panel Acoustic Insulation                       |
| 20  | 909 6490 000 | 1   | Gasket Vacuum Motor                             |
| 21  | 909 6489 000 | 1   | Gasket Vacuum Motor                             |
| 22  | 909 6880 000 | 1   | Castorhjul Kit                                  |
| 23  | 909 6880 000 | 1   | Castorhjul Kit                                  |
| 24  | 909 6878 000 | 1   | Hardware Chas. Fixing Kit                       |
| 25  | 9100000551   | 1   | WHEELS D.250 GREY-BLACK KIT includes two wheels |
| 26  | 909 6548 000 | 1   | Køremotor 200W 24V Ba450/551/611                |
| 27  | 909 6503 000 | 2   | WHEEL FRONT D.250                               |
| 28  | 145 5124 000 | 2   | Kul F. Aw 455 Børstemotor                       |
| 29  | L08812282    | 2   | Cam Controller Ba450/530                        |
| 30  | 9098300000   | 1   | Hardware Handle Assembly                        |
| 31  | 9098814000   | 1   | Potentiometer 5K 40                             |
| 32  | 9096994000   | 1   | Valve Elbow                                     |
| 33  | 9097166000   | 1   | Filter Complete Kit                             |
| 34  | 9096996000   | 1   | Valve Elbow W/Pipes Kit                         |
| 35  | 909 6555 000 | 1   | Solenoid Valve 24V                              |
| 36  | 9100000106   | 1   | HOLDER RUBBER 1/2 FEMALE KIT                    |
| 37  | 9098777000   | 1   | Vinkel  |

# ANBEFALEDE RESERVEDELE

BA551/BA551D/BA551CD/BA611D

16-01-2015

StyMiste ID

E186161

51

Ingen tegning

# ANBEFALEDE RESERVEDELE

BA551/BA551D/BA551CD/BA611D

16-01-2015

StyMiste ID

E186161

52

| Pos | Vare nr.     | Ant | Beskrivelse                            |
|-----|--------------|-----|--|
| 1   | 909 6055 000 | 1   | Holder For Sugegummi                   |
| 2   | L08603831    | 1   | Strap Front                            |
| 3   | 909 6044 000 | 1   | "Sugefod 30"" Kun Metaldel "           |
| 4   | 9100000962   | 1   | SQUEEGEE STEEL 840MM/33 PKD            |
| 5   | 9097637000   | 1   | Monteringsskrue (2 Stk)                |
| 6   | 9100000791   | 1   | KNOB M8X30 THD STUD SS PKD             |
| 11  | 909 6851 000 | 1   | Sugefod, komplet                       |
| 12  | 909 5372 000 | 1   | "Sugefod Kit 33"" Komplet "            |
| 13  | 909 6882 000 | 1   | Skinnekit                              |
| 14  | 909 6894 000 | 1   | Hardware Squeegee Blade Fixing Kit     |
| 15  | 909 6883 000 | 1   | Hjul For Squeegeerkit                  |
| 16  | 9100000573   | 1   | WHEEL SQUEEGEE KIT                     |
| 17  | 909 6884 000 | 1   | Påkørselshjul, Kit                     |
| 18  | L08603880    | 1   | Stødhjulskit, Sugefod                  |
| 19  | 909 6394 000 | 1   | Latch Squeegee Kit                     |
| 20  | 909 6885 000 | 1   | Squeegeer Justeringskit Ba451-551      |
| 22  | 909 6042 000 | 1   | Børste Dæksel                          |
| 23  | 9098308000   | 1   | Gearmotor 450W 24V                     |
| 24  | 9098376000   | 1   | CARBON BRUSHES KIT 4 PCS               |
| 25  | L08812306    | 1   | Polyg. Flange Ba450/530                |
| 26  | L08601624    | 1   | Slangestuds Plast                      |
| 27  | 9097184000   | 1   | Vibration Damping M8 60Sh              |
| 28  | 145 8564 000 | 2   | Saxpinne                               |
| 29  | 909 6514 000 | 1   | Spring Gas                             |
| 30  | 9097093000   | 1   | Børsteholder Poly Kit                  |
| 31  | 909 6887 000 | 1   | Stødhjul                               |
| 32  | 9099419000   | 1   | Justeringssæt F. Børste                |
| 33  | 145 4366 000 | 1   | HOLDER RUBBER T D.12                   |
| 34  | 909 5772 000 | 1   | HOSE COPPER                            |
| 35  | 9098489000   | 1   | Guards Splash Kit                      |
| 36  | 909 5805 000 | 1   | Skidtkasse 651Bcl Scrubtec 651Bcl Cyl. |
| 37  | 9096983000   | 2   | REDUCTION GEARMOTOR 300W 24V           |
| 38  | 1464432000   | 1   | Brush Carbon Kit 4Pcs                  |
| 39  | 909 5820 000 | 2   | Belt Poly -V                           |
| 40  | 909 5870 000 | 1   | HOSE PVC W/ SPIRAL D.10X16 L.190MM     |
| 41  | 9098488000   | 1   | Afviserrulle-Sæt                       |
| 42  | 9098485000   | 1   | Belt Tensioner Kit                     |
| 43  | 9098486000   | 1   | Monteringsplade                        |
| 44  | 9098487000   | 1   | Support Pulley Cyl.Brush               |

POSITIONS 7-9: 909 6483 000 - 909 6484 000 included in the kit 909 6860 000

POSITIONS 8-10: L08603832 - L08603830 included in the kit 9097499000

# ANBEFALEDE RESERVEDELE

BA551/BA551D/BA551CD/BA611D

16-01-2015

StyMiste ID

E188162

53

Ingen tegning

# ANBEFALEDE RESERVEDELE

BA551/BA551D/BA551CD/BA611D

16-01-2015

StyMiste ID

E18616Z

54

| Pos | Vare nr.     | Ant | Beskrivelse                        |
|-----|--------------|-----|------------------------------------|
| 1   | L08603822    | 1   | HUB.BRUSH R.GEARMOT.LEFT           |
| 2   | 145 8564 000 | 1   | Saxpinne                           |
| 3   | L08812306    | 1   | Poly g. Flange Ba450/530           |
| 4   | 9100000678   | 2   | REDUCTION GEARMOTOR 350W 24V PKD   |
| 5   | L08812589    | 1   | Holder Poly g,W/Flange Kit         |
| 6   | 9097092000   | 1   | Holder Poly gonal Kit              |
| 7   | 909 5398 000 | 1   | Spændebånd,Stænkskørte BA 650/600S |
| 8   | 909 6891 000 | 1   | Y-Stykke Til Rentvand Kit Deck Kit |
| 9   | 909 5894 000 | 1   | Roller Bumper Kit BA 650/750/600S  |
| 10  | 909 6893 000 | 2   | Carbon Brush Kit -4Pcs-            |
| 11  | 909 6380 000 | 1   | Slangeklemme Kit                   |
| 12  | 9100000174   | 1   | CARD ELECTRONIC FUNCTIONS KIT      |
| 13  | 9098635000   | 1   | Decal Control Panel                |
| 14  | 146 2888 000 | 1   | Tændingsnøgle                      |
| 15  | 9100000175   | 1   | CARD ELECTRONIC FUNCTIONS KIT      |
| 16  | 909 6057 000 | 1   | Decal Control Panel                |
| 17  | 145 8368 000 | 1   | Såkring                            |
| 18  | 909 6678 000 | 1   | FUSE 20A GLASS DELAYED             |
| 19  | 9100000173   | 1   | CARD ELECTRONIC TRACTION KIT       |
| 20  | 909 6677 000 | 1   | Microswitch                        |
| 21  | 9098762000   | 1   | Ladestik, Rød 120 A                |
| 22  | 9097209000   | 1   | Switch Electromagnetic 24V         |
| 23  | 909 6622 000 | 1   | Relæ 24V 40A                       |
| 24  | 145 3824 000 | 1   | Sikring 40A,Bladsikring            |
| 25  | 145 8513 000 | 1   | Sikring 30A                        |
| 26  | 9098297000   | 1   | Lader (Indbygget) 24V 13A          |
| 27  | 909 6744 000 | 1   | Ecoflex Kit BA 551/611 D           |
| 28  | 909 6807 000 | 1   | HOSES CHEMICAL MIX KIT             |
| 29  | 9098777000   | 1   | Vinkel                             |
| 30  | 56315108     | 1   | Pumpe 24V                          |
| 31  | 909 6903 000 | 1   | Ecoflex Kemibeholder Kit           |
| 32  | 56315517     | 1   | Låg Ecoflex Beholder Stort         |
| 33  | 56315522     | 1   | Check Valve 1/8 Barb 12 5Psi       |
| 34  | 56315523     | 1   | Låg Ecoflex Beholder Lille         |
| 35  | 56315527     | 1   | Rør Ecoflex Beholder               |
| 36  | 9097166000   | 1   | Filter Complete Kit                |
| 37  | 909 6183 000 | 1   | Pumpe, Kemikalie Eds               |
| 38  | 909 6092 000 | 1   | HOLDER RUBBER T                    |

# Tilbehør

BA551/BA551D/BA551CD/BA611D

16-01-2015

StyMiste ID

E186163

55

Ingen tegning

# Tilbehør

BA551/BA551D/BA551CD/BA611D

16-01-2015

StyMiste ID

E186163

56

| Pos | Vare nr.     | Ant | Beskrivelse  |
|-----|--------------|-----|--|
| 1   | 9097290000   | 1   | Påfyldningsslange  |
| 2   | 9096916000   | 1   | Filter Rentvand Ba410  |
| 3   | 9096951000   | 1   | Timetæller kit, 24 V   |
| 4   | 909 6734 000 | 1   | Gummistrop Til Låg   |
| 5   | 9098947000   | 1   | Bløde drejehjul<br>OPTION - WIDER WHEEL FOR SPECIAL APPLICATIONS |
| 6   | 9097026000   | 2   | Trækjul, olieresistente, Ø300 mm                                 |
| 7   | 909 6736 000 | 1   | Børsteinddækningssæt 530 mm                                      |
| 8   | 909 6848 000 | 1   | DECK BRUSH 530MM/21 KIT WITH                                     |
| 9   | L08837025    | 1   | Børste Prolene 21" Ø530 mm                                       |
| 10  | L08837026    | 1   | Børste Prolite 21" Ø530 mm                                       |
| 11  | L08837027    | 1   | Børste Union Mix 21" Ø530 mm                                     |
| 12  | L08837028    | 1   | Børste Midlite Grit 240 21" Ø530 mm                              |
| 13  | L08837029    | 1   | Børste Clean Grit 21" Ø530 mm                                    |
| 14  | L08837065    | 1   | Børste Magna Grit 46 21" Ø530 mm                                 |
| 15  | L08837066    | 1   | Børste Dyna Grit 80 21" Ø530 mm                                  |
| 16  | L08837067    | 1   | Børste Aglite Grit 500 21" Ø530 mm                               |
| 17  | 9099671000   | 1   | Rondelholder 20" Ø508 mm Velcro                                  |
| 18  | 909 6849 000 | 1   | DECK BRUSH 510MM/20 CYL KIT                                      |
| 19  | 909 5823 000 | 2   | Cylindrisk børste polypropylen 510 mm                            |
| 20  | 909 5824 000 | 2   | Cylindrisk børste polypropylen 510 mm                            |
| 21  | 909 5825 000 | 2   | Cylindrisk børste polypropylen 510 mm                            |
| 22  | 909 6850 000 | 1   | Børstedæk M/Sugefod 61Cm   |
| 23  | L08603842    | 2   | Børste Prolene 12" Ø305 mm                                       |
| 24  | L08603873    | 2   | Børste Mid Grit 180 12" Ø305 mm                                  |
| 25  | L08603872    | 2   | Børste Midlite Grit 240 12" Ø305 mm                              |
| 26  | L08603874    | 2   | Børste Prolite 12" Ø305 mm                                       |
| 27  | L08603875    | 2   | Børste Union Mix 12" Ø305 mm                                     |
| 28  | L08603939    | 2   | Rondelholder 12" Ø305 mm   |
| 29  | L08603878    | 1   | Squeegee Komp.Ba450/530  |
| 30  | 9100000279   | 1   | Sugegummi kit sværtfri 29" 740 mm                                |
| 31  | 909 6858 000 | 1   | Sugegummi kit polyurethan 29" 740 mm                             |
| 33  | 909 6859 000 | 1   | Sugegummi kit polyurethan 33" 830 mm                             |
| 34  | 909 5629 000 | 1   | Sugelæbe Front Ba600/Ba65 Afsmittingsfri                         |
| 35  | 909 6744 000 | 1   | Ecoflex Kit BA 551/611 D   |
| 36  | 909 6738 000 | 1   | Børstetryk Ekstra Kit  |
| 37  | 909 6739 000 | 1   | Indbygget oplader kit  |
| 38  | 9098853000   | 1   | Elbow 90 Suct.Hose Kit Ra L7001<br>TSB IT 2010-061               |
| 39  | 9100000335   | 1   | STRAP ANTISTATIC KIT<br>OPTION                                   |