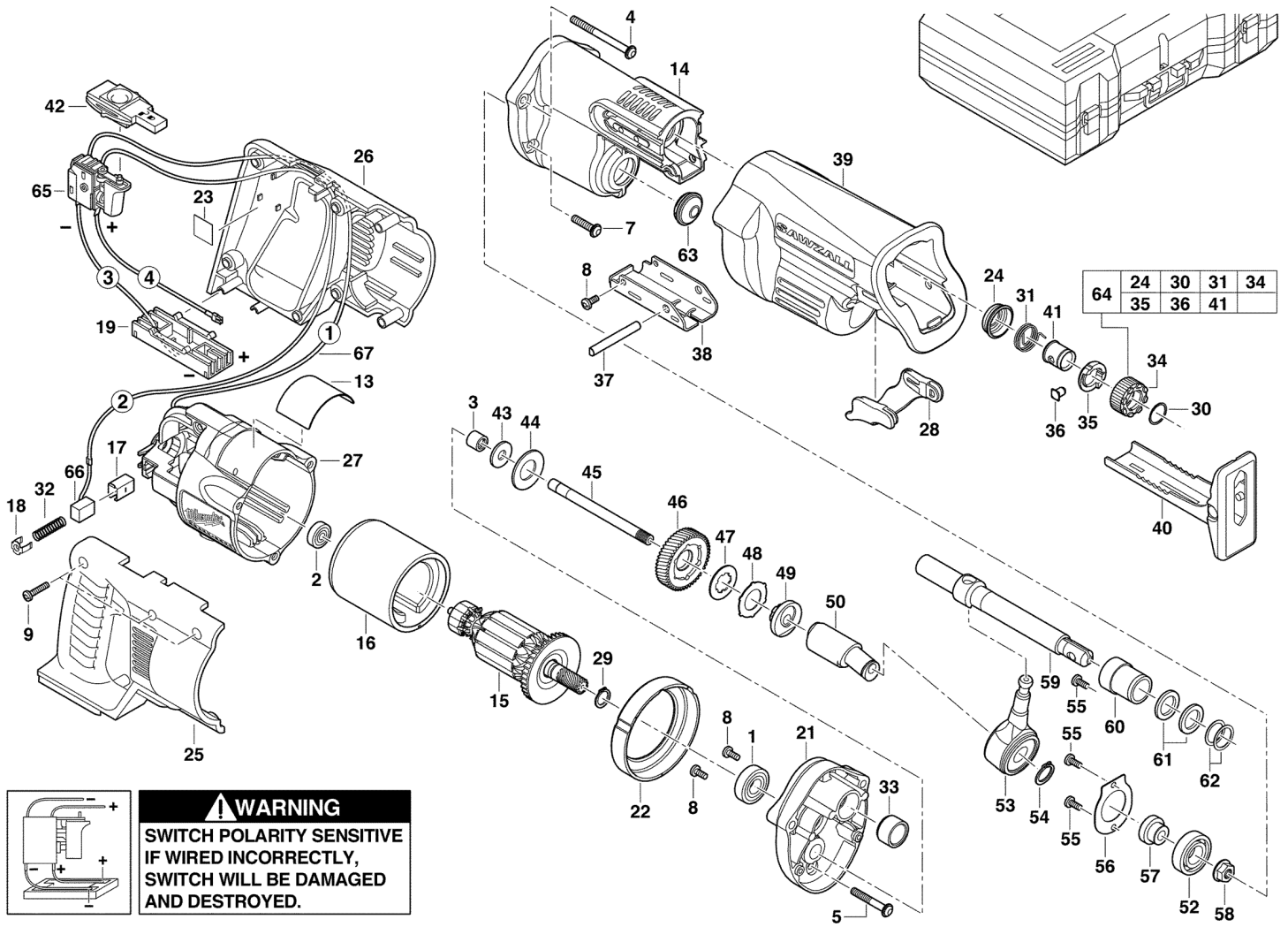


BATT.RECIPROCAT.SAW

4933753015 - PSX18 - 4000393530



64	24	30	31	34
35	36	41		

Position	Quantity	Description	Part number	EAN
0013	1	NAME PLATE	12203420	
0014	1	GEAR BOX	28140999	
0015	1	ARMATURE	16012135	4002395773763
0016	1	ELECTRIC FIELD	18012120	
0017	2	BRUSH HOLDER	22200860	
0018	2	BRUSH HOLDER	22320400	
0019	1	CONNECTION	22560230	
0021	1	DIAPHRAGM	28280719	
0022	1	AIR DEFLECTOR RING	31050719	
0023	1	LABEL	10150175	4002395773381
0024	1	CLAMPING RING	31150511	
0025	1	HANDLE RIGHT	31440750	
0026	1	HANDLE LEFT	31440755	
0027	1	MOTOR HOUSING	31500019	
0028	1	SHOE REL.LEVER KIT	31520090	
0029	1	RING	34600920	
0030	1	RING	34603680	
0031	1	SPRING TORSION SPRING	40500161	
0032	2	PRESSURE SPRING	40508840	
0033	1	BEARING	42240620	
0034	1	CLAMPING RING	42500076	
0035	1	CLAMPING RING	42500077	
0036	1	PIN LOCK SPRING	44600626	
0037	1	PIN	44601635	
0038	1	HOLDER	44660880	
0039	1	GEAR BOX INSULATION	45120999	4002395836659
0040	1	DISTANCE HOLDER	45160645	4002395894949
0041	1	CLAMPING RING SLEEVE	45220081	
0043	1	WASHER	45881555	
0044	1	PRESSURE SPRING	40508850	
0045	1	AXLE WOBBLE	42120155	
0046	1	GEAR	32400719	
0047	1	DISC PLATE	43060685	
0048	1	PLATE	43060676	
0049	1	HUB	43780525	
0050	1	WOBBLE DRIVE	36920501	4002395870240
0053	1	WOBBLE DRIVE	14670135	4002395890699
0054	1	RING	34601315	
0056	1	BEARING CAGE	44860055	
0057	1	SPACER	45361445	
0059	1	SPINDLE	38500680	
0060	1	SPINDLE BEARING	42240610	
0061	2	FELT PACKING	45060501	
0062	2	WASHER	45888577	
0063	1	BEARING COVER	42520380	
0064	1	FIXTEC-SET QUIK-LOK CLAMP KIT	14461011	
0065	1	SWITCH ASSEMBLY	23662485	4002395784820
0066	1	RIGHT CARBON BRUSH	22180976	4002395773893
0067	1	LEFT CARBON BRUSH	22180971	4002395773886