

# A & M Electric Tools

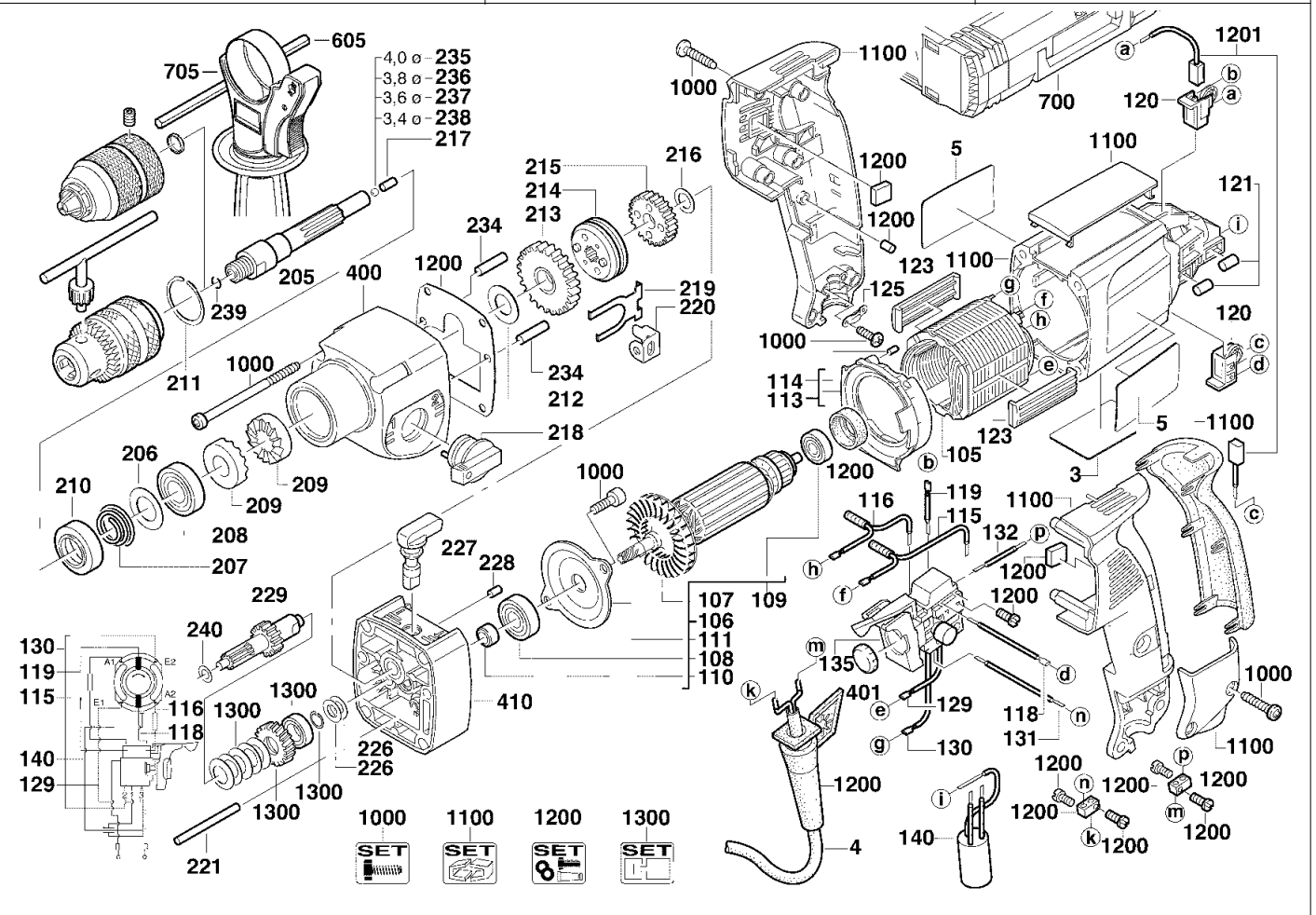
Ind	Product No.	Type	Voltage	Country
a	4000380785	PD2E22RS	220-240V	IN2
b	4000380792	PD2E22RS	110V	GB1

# Percussion Drills

Milwaukee

## PD2E 22 RS

Exp.view No.      Version    Date      Page  
**4926 3807 87    0003    09.02.05    1/2**



Pos	Index	Quanti	Article No.	Designation	Pos	Index	Quanti	Article No.	Designation
0003	a.....	1	4931380790	RATING PLATE	0119	a.....	1	4931623126	WIRE
0003	b.....	1	4931380795	RATING PLATE	0119	b.....	1	4931623361	WIRE
0004	a.....	1	4931622896	CONNECTION CABLE	0120	ab.....	2	4931382268	BRUSH HOLDER
0004	b.....	1	4931623821	CONNECTION CABLE	0121	ab.....	4	4931623123	ROLL
0005	ab.....	2	4931378806	TYPE PLATE	0123	ab.....	2	4931342808	CENTERING LEDGE
0105	a.....	1	4931342802	ELECTRIC FIELD	0125	ab.....	1	4931256500	CABLE COLLAR
0105	b.....	1	4931343218	ELECTRIC FIELD	0129	a.....	1	4931623127	WIRE
0106	a.....	1	4931344529	ARMATURE	0129	b.....	1	4931623362	WIRE
0106	b.....	1	4931343820	ARMATURE	0130	a.....	1	4931623196	WIRE
0107	ab.....	1	4931342793	FAN	0130	b.....	1	4931623363	WIRE
0108	ab.....	1	4931368037	GROOVED BALL BEAR.	0131	a.....	1	4931622948	WIRE
0109	ab.....	1	4931901253	BALL BEARING	0131	b.....	1	4931623364	WIRE
0110	ab.....	1	4931302748	SLEEVE	0132	a.....	1	4931623136	WIRE
0111	ab.....	1	4931267585	BEARING COVER	0132	b.....	1	4931623365	WIRE
0113	ab.....	1	4931342794	AIR DEFLECTOR RING	0135	a.....	1	4931382393	SWITCH BOARD
0114	ab.....	4	4931332524	HOLDING-DOWN DEVIC	0135	b.....	1	4931359581	SWITCH
0115	a.....	1	4931623121	CHOKING COIL	0140	ab.....	1	4931276760	CAPACITOR
0115	b.....	1	4931623359	WIRE	0205	ab.....	1	4931307039	DRILL SPINDLE
0116	a.....	1	4931623122	CHOKING COIL	0206	ab.....	1	4931621809	DISC
0116	b.....	1	4931623360	WIRE	0207	ab.....	1	4931267406	PRESSURE SPRING
0118	a.....	1	4931623125	WIRE	0208	ab.....	1	4931891058	BALL BEARING
0118	b.....	1	4931623360	WIRE	0209	ab.....	2	4931267571	PERCUSSION SLEEVE

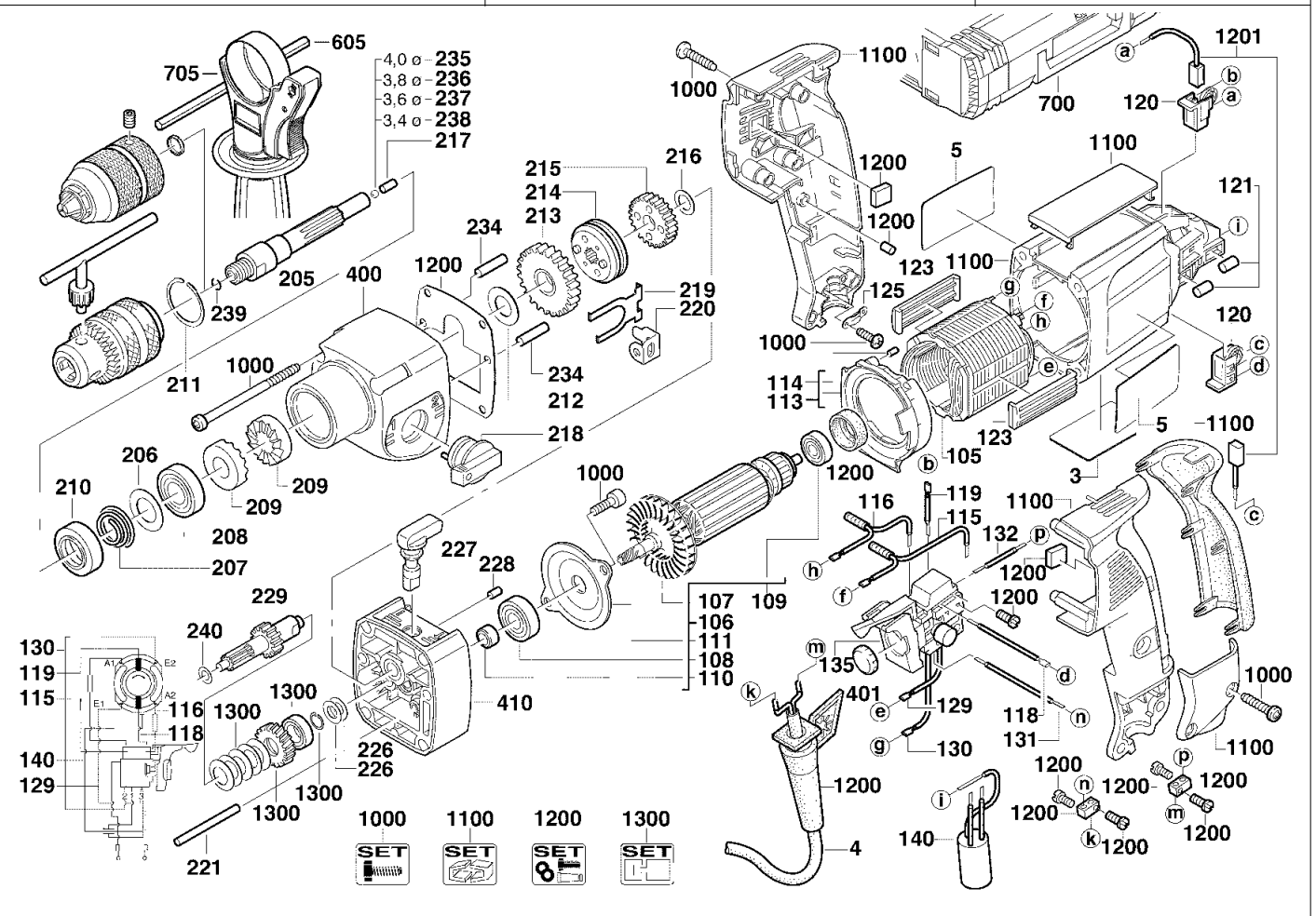
Repairs/modification and testing of electric power tools are to be carried out by specialists. The safety regulations according to DIN/VDE/CEE/AFNOR and other regulations valid in the different countries are to be observed.

# A & M Electric Tools

Ind	Product No.	Type	Voltage	Country
a	4000380785	PD2E22RS	220-240V	IN2
b	4000380792	PD2E22RS	110V	GB1

# Percussion Drills

Ind	Product No.	Type	Voltage	Country
<b>Milwaukee</b>				
<b>PD2E 22 RS</b>				
Exp.view No.	Version	Date	Page	
4926 3807 87	0003	09.02.05	2/2	



Pos	Index	Quanti	Article No.	Designation	Pos	Index	Quanti	Article No.	Designation
0210	ab.....	1	4931267522	SEAL RING	0240	ab.....	1	4931621715	DISC
0211	ab.....	1	4931890311	LOCKING RING	0400	ab.....	1	4931380476	GEAR BOX
0212	ab.....	1	4931621647	DISC	0401	a.....	1	4931356599	SET WHEEL
0213	ab.....	1	4931267558	DRILL SPINDLE WHEEL	0410	ab.....	1	4931380475	BEARING END PLATE
0214	ab.....	1	4931307130	JUMPER RING	0605	ab.....	1	4931384434	DEPTH GAUGE
0215	ab.....	1	4931344698	DRILL SPINDLE WHEEL	0700	ab.....	1	4932378986	CARRYING CASE
0216	ab.....	1	4931621679	DISC	0705	ab.....	1	4932373725	HANDLE
0217	ab.....	1	4931805526	PIN	1000	ab.....	1	4931364668	BOLT SET
0218	ab.....	1	4931339525	SWITCH LEVER	1100	ab.....	1	4931380477	BODY
0219	ab.....	1	4931307118	RETAINING SPRING	1200	a.....	1	4931347472	MAINTENANCE SET
0220	ab.....	1	4931267576	SWITCH LEVER	1200	b.....	1	4931343795	MAINTENANCE SET
0221	ab.....	1	4931621731	PIN	1201	a.....	1	4931392596	CARBON BRUSH SET
0226	ab.....	2	4931623164	WASHER	1201	b.....	1	4931392595	CARBON BRUSH SET
0227	ab.....	1	4931347470	SWITCH LEVER	1300	ab.....	1	4931347492	COUPLING SET
0228	ab.....	1	4931621770	PIN					
0229	ab.....	1	4931342887	REDUCTION GEAR					
0234	ab.....	2	4931621732	PIN					
0235	ab.....	1	4931805390	BALL					
0236	ab.....	1	4931621735	BALL					
0237	ab.....	1	4931621736	BALL					
0238	ab.....	1	4931621737	BALL					
0239	ab.....	1	4931302074	SPRING					

Repairs/modification and testing of electric power tools are to be carried out by specialists. The safety regulations according to DIN/VDE/CEE/AFNOR and other regulations valid in the different countries are to be observed.