

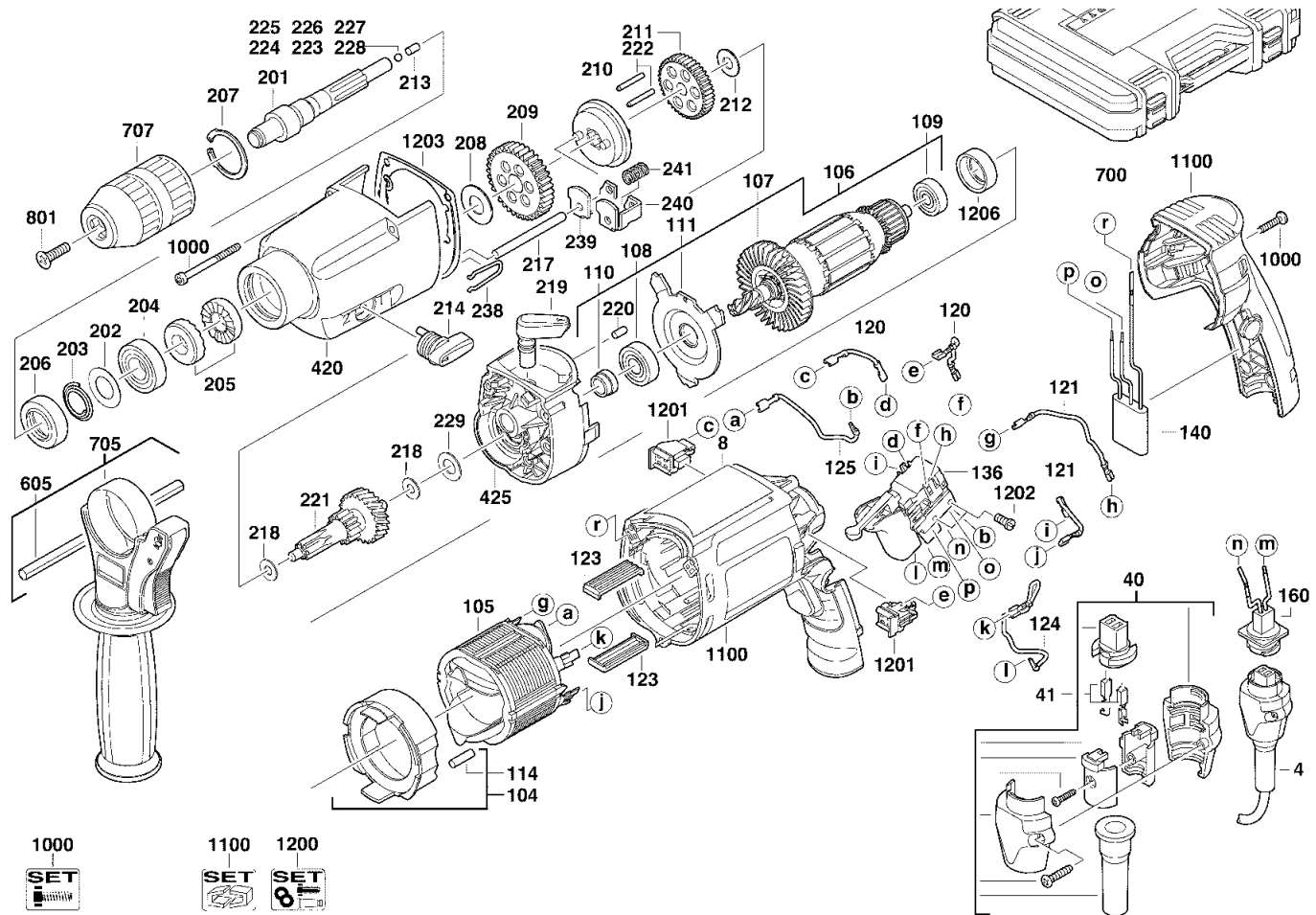
# A & M Electric Tools

# Percussion Drills

Ind Product No.	Type	Voltage	Country
a 4000405396	PD2E22RQ	220-240V	IN2

Ind Product No.	Type	Voltage	Country

Milwaukee		
<b>PD 2 E 22 RQ</b>		
Exp.view No.	Version	Date
4926 4053 98	0001	13.02.08
Page 1/2		



Pos	Index	Quanti	Article No.	Designation	Pos	Index	Quanti	Article No.	Designation
0004	a.....	1	4931624171	CONNECTION CABLE	0202	a.....	1	4931621809	DISC
0008	a.....	1	4931405402	RATING PLATE	0203	a.....	1	4931267406	PRESSURE SPRING
0040	a.....	1	4931380758	REPAIR KIT	0204	a.....	1	4931891058	BALL BEARING
0041	a.....	1	4931380763	CABLE SOCKET P./10	0205	a.....	1	4931267571	PERCUSSION SLEEVE
0104	a.....	1	4931405413	AIR DEFLECTOR RING	0206	a.....	1	4931267522	SEAL RING
0105	a.....	1	4931342802	ELECTRIC FIELD	0207	a.....	1	4931890311	LOCKING RING
0106	a.....	1	4931405404	ARMATURE	0208	a.....	1	4931621647	DISC
0107	a.....	1	4931342793	FAN	0209	a.....	1	4931387091	DRILL SPINDLE WHEEL
0108	a.....	1	4931368037	GROOVED BALL BEAR.	0210	a.....	1	4931387063	JUMPER RING
0109	a.....	1	4931624360	BALL BEARING	0211	a.....	1	4931387092	DRILL SPINDLE WHEEL
0110	a.....	1	4931302748	SLEEVE	0212	a.....	1	4931364128	WASHER
0111	a.....	1	4931387047	BEARING COVER	0213	a.....	1	4931805526	PIN
0114	a.....	4	4931332524	HOLDING-DOWN DEVIC	0214	a.....	1	4931387016	SWITCH HANDLE
0120	a.....	2	4931624311	WIRE	0217	a.....	1	4931621731	PIN
0121	a.....	2	4931624312	WIRE	0218	a.....	2	4931621715	DISC
0123	a.....	2	4931342808	CENTERING LEDGE	0219	a.....	1	4931387032	SWITCH HANDLE
0124	a.....	1	4931624313	WIRE	0220	a.....	1	4931621650	PIN
0125	a.....	1	4931624314	WIRE	0221	a.....	1	4931387027	REDUCTION GEAR
0136	a.....	1	4931387130	SWITCH BOARD	0222	a.....	2	4931621732	PIN
0140	a.....	1	4931624617	INTERFERENCE SUPP	0223	a.....	1	4931621737	BALL
0160	a.....	1	4931364437	INSERT	0224	a.....	1	4931621736	BALL
0201	a.....	1	4931387005	DRILL SPINDLE	0225	a.....	1	4931624379	BALL

Repairs/modification and testing of electric power tools are to be carried out by specialists. The safety regulations according to DIN/VDE/CEE/AFNOR and other regulations valid in the different countries are to be observed.

