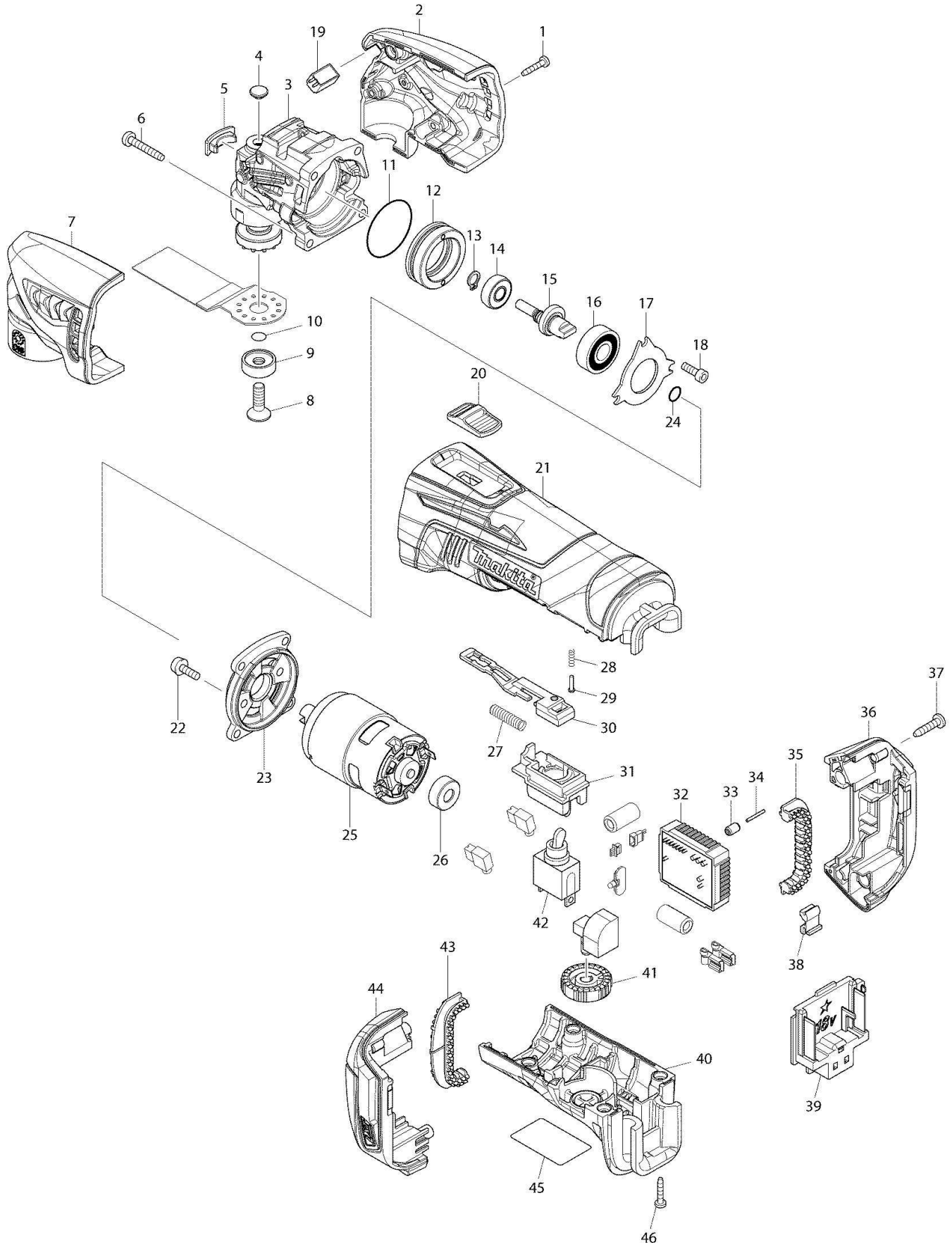


Nr.	Reservedelsnr.	Navn
1	266429-2	BLECHSCHRAUBE 3x16
2	187346-2	AFDÆKNINGSSÆT (BTM50)
3	142076-2	GETRIEBEGEHAEUSE
4	424511-5	KAPPE B (BTM50)
5	424510-7	KAPPE A (BTM50)
6	266374-1	SKRUE 4X25 (GA9020SF)
7	187346-2	AFDÆKNINGSSÆT (BTM50)
8	266783-4	SKRUE M6X20 (BTM50)
9	224455-7	SKIVE 22 (BTM50)
10	213021-5	O-RING 5
11	213479-8	O-RING 33
12	326187-3	LEJEHUS (BTM50)
13	961003-8	LÅSERING S-7
14	211392-4	RING 706 (BTM50)
15	326186-5	KRUMTAPAKSEL (BTM50)
16	210059-1	KUGLELEJE 6000DDW###(211289-7)
17	285856-4	AFDÆKNING (BTM50)
18	922117-8	6KANT-SKRUE M4X12
19	620146-2	ELEKTRONIK (BTM50)
20	453761-5	KNOB (BTM50)
21	453755-0	MOTORHUS (BTM50)
22	911516-9	KOMBI-SKRUE M4x12
23	453762-3	MOTORHUSDÆKSEL (BTM50)
24	213030-4	O-RING 8 (RP0910)
25	629956-4	MOTOR 18V (BTM50)
26	424520-4	DÆKSEL (BTM50)
27	234263-8	TRYKFJEDER 5 (BTM50)
28	233002-3	TRYKFJEDER 3 T221D
29	255058-6	STIFT 2
30	453757-6	OMSKIFTERARM (BTM50)
31	453760-7	AFBRYDERHUS (BTM50)
32	632A01-2	ELEKTRONIK (BTM50)
33	263036-2	GUMMISTIFT 5 (BTW251)
34	268184-2	STIFT 1,5 (BTW251)
35	424473-7	VIBRATIONSDÆMPER (BTM50)
36	187610-1	BATTERY HOUSING SET
37	266326-2	SKRUE 4x18 (UC3520A)
38	424026-2	DÆMPER (BTW251)
39	643852-2	KONTAKTPLATTE
40	453756-8	MOTORHUSAFDÆKNING (BTM50)
41	271617-8	TANDHJUL (BTM50)
42	651423-1	AFBRYDER (HM1317C)
43	424473-7	VIBRATIONSDÆMPER (BTM50)
44	187610-1	BATTERY HOUSING SET
45	897390-8	TYPENSCHILD BTM50
46	266429-2	BLECHSCHRAUBE 3x16



Nr.	Reservedelsnr.	Navn
1	266429-2	BLECHSCHRAUBE 3x16
2	187346-2	AFDÆKNINGSSÆT (BTM50)
3	142400-9	CRANK HOUSING COMPLETE
4	424511-5	KAPPE B (BTM50)
5	424510-7	KAPPE A (BTM50)
6	266374-1	SKRUE 4X25 (GA9020SF)
7	187346-2	AFDÆKNINGSSÆT (BTM50)
8	266783-4	SKRUE M6X20 (BTM50)
9	224455-7	SKIVE 22 (BTM50)
10	213021-5	O-RING 5
11	213479-8	O-RING 33
12	326187-3	LEJEHUS (BTM50)
13	961003-8	LÅSERING S-7
14	211392-4	RING 706 (BTM50)
15	326186-5	KRUMTAPAKSEL (BTM50)
16	210059-1	KUGLELEJE 6000DDW###(211289-7)
17	285856-4	AFDÆKNING (BTM50)
18	922117-8	6KANT-SKRUE M4X12
19	620146-2	ELEKTRONIK (BTM50)
20	453761-5	KNOB (BTM50)
21	453755-0	MOTORHUS (BTM50)
22	911516-9	KOMBI-SKRUE M4x12
23	453762-3	MOTORHUSDÆKSEL (BTM50)
24	213030-4	O-RING 8 (RP0910)
25	629956-4	MOTOR 18V (BTM50)
26	424520-4	DÆKSEL (BTM50)
27	234263-8	TRYKFJEDER 5 (BTM50)
28	233002-3	TRYKFJEDER 3 T221D
29	255058-6	STIFT 2
30	453757-6	OMSKIFTERARM (BTM50)
31	453760-7	AFBRYDERHUS (BTM50)
32	632A01-2	ELEKTRONIK (BTM50)
33	263036-2	GUMMISTIFT 5 (BTW251)
34	268184-2	STIFT 1,5 (BTW251)
35	424473-7	VIBRATIONSDÆMPER (BTM50)
36	187610-1	BATTERY HOUSING SET
37	266326-2	SKRUE 4x18 (UC3520A)
38	424476-1	UNDERSTØTTER (BHR243)
39	643852-2	KONTAKTPLATTE
40	453756-8	MOTORHUSAFDÆKNING (BTM50)
41	271617-8	TANDHJUL (BTM50)
42	651423-1	AFBRYDER (HM1317C)
43	424473-7	VIBRATIONSDÆMPER (BTM50)
44	187610-1	BATTERY HOUSING SET
45	897390-8	TYPENSCHILD BTM50
46	266429-2	BLECHSCHRAUBE 3x16