

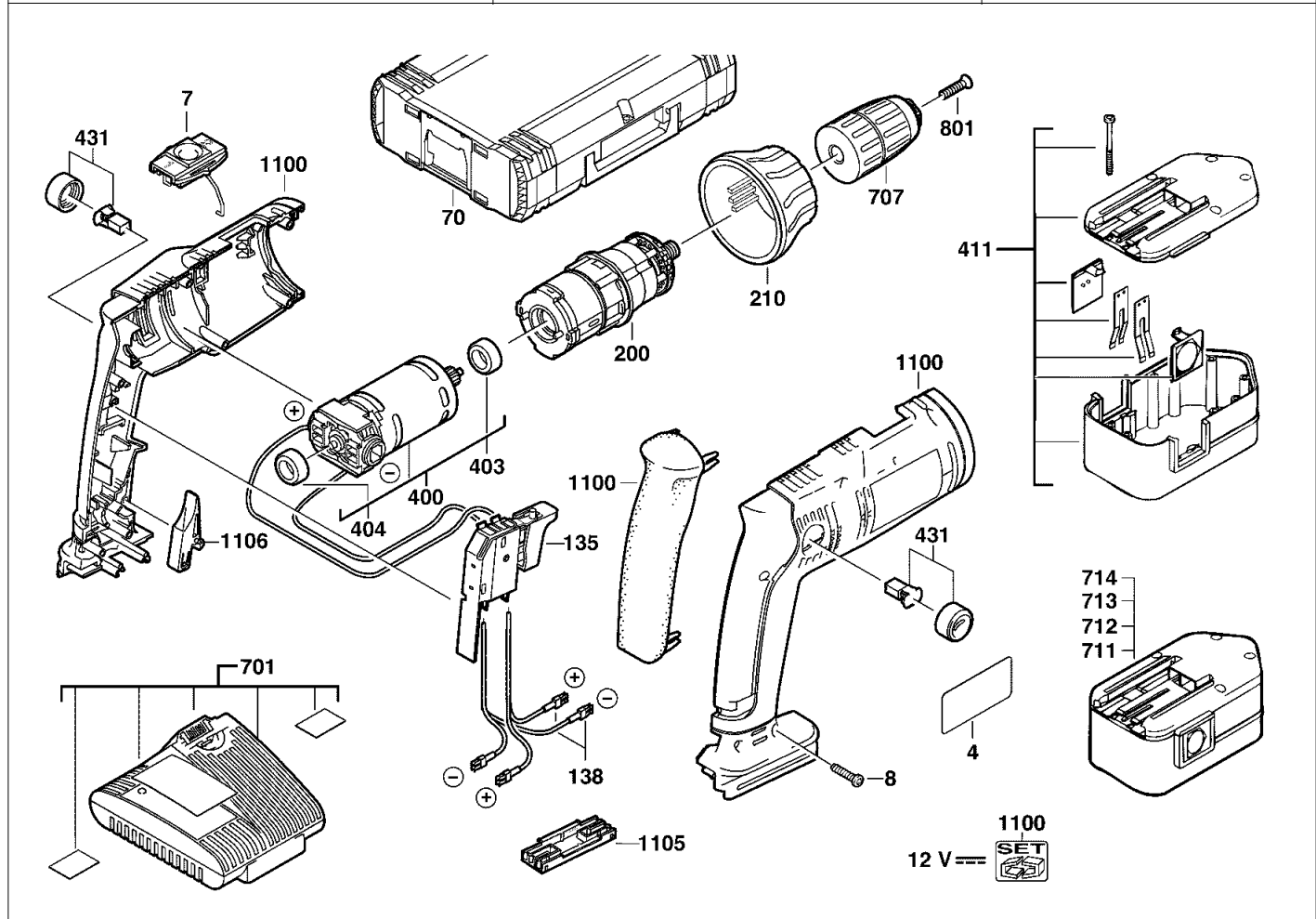
# A & M Electric Tools

# Battery Tools

Ind	Product No.	Type	Voltage	Country
a	4000386266	S12P	12V	IN2

Ind	Product No.	Type	Voltage	Country

Milwaukee		
S12P		
Exp.view No.	Version	Date
4926 3862 69	0001	05.11.01
Page	1/1	



Pos	Index	Quanti	Article No.	Designation
0004	a.....	1	4931386270	RATING PLATE
0007	a.....	1	4931363810	SLIDING SWITCH
0008	a.....	7	4931622708	SCREW
0070	a.....	1	4932378986	CARRYING CASE
0135	a.....	1	4931400345	SWITCH BOARD
0138	a.....	1	4931376525	WIRE
0200	a.....	1	4931366835	GEAR BOX
0210	a.....	1	4931366847	JUMPER RING
0400	a.....	1	4931376207	MOTOR
0403	a.....	1	4931363798	RUBBER SLEEVE
0404	a.....	1	4931366834	RUBBER SLEEVE
0411	a.....	1	4931376309	BODY
0431	a.....	1	4931376574	CARBON BRUSH SET
0701	a.....	1	4932386670	CHARGER
0707	a.....	1	4932376533	QUICK ACTION CHUCK
0711	a.....	1	4932353639	BATTERY PACK
0712	a.....	1	4932353640	BATTERY PACK
0713	a.....	1	4932360520	BATTERY PACK
0714	a.....	1	4932376302	BATTERY PACK
0801	a.....	1	4931400026	LOCKING SCREW
1100	a.....	1	4931376843	BODY
1105	a.....	1	4931349089	INSERT

Pos	Index	Quanti	Article No.	Designation
1106	a.....	1	4931376135	BLADE HOUSING

Repairs/modification and testing of electric power tools are to be carried out by specialists. The safety regulations according to DIN/VDE/CEE/AFNOR and other regulations valid in the different countries are to be observed.