

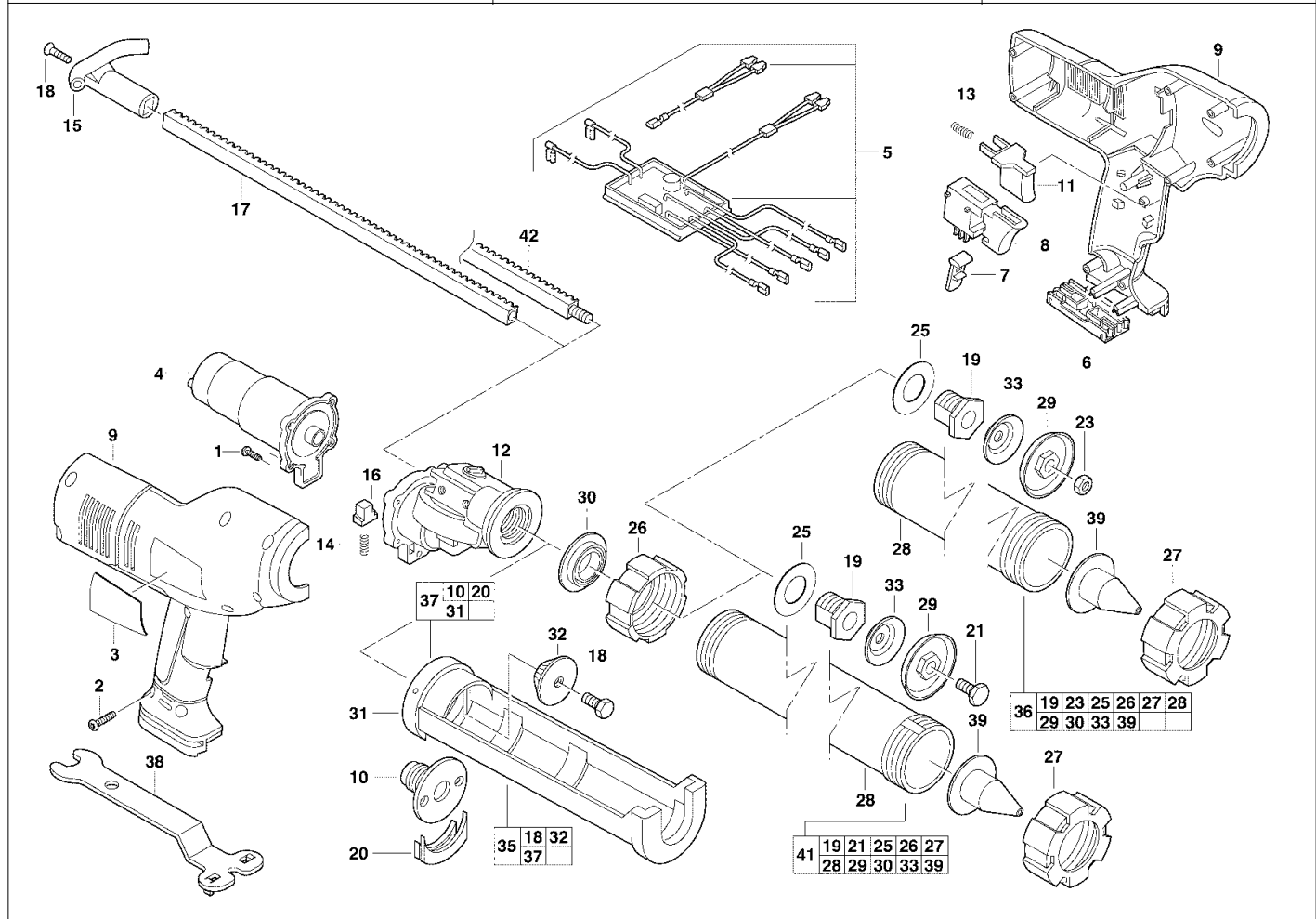
A & M Electric Tools

Battery Tools

Ind Product No.	Type	Voltage	Country
a 4000393525	PCG12	12-14,4V	***

Ind Product No.	Type	Voltage	Country

Milwaukee			
PCG 12			
Exp.view No.	Version	Date	Page
4926 3935 26	0003	09.01.07	1/1



Pos	Index	Quanti	Article No.	Designation	Pos	Index	Quanti	Article No.	Designation
0001	a.....	4	06822625	SCREW	0025	a.....	1	45880595	WASHER
0002	a.....	9	06827470	SCREW	0026	a.....	1	42521005	MOUNTING CAP
0003	a.....	1	12203380	STICKER	0027	a.....	1	42521000	NOZZLE CAP
0004	a.....	1	14500700	MOTOR HOUSING	0028	a.....	1	30060020	SLEEVE 9INCH
0005	a.....	1	22091625	ELECTRIC ELEMENT	0029	a.....	1	44700040	BACKING FLANGE
0006	a.....	1	4931349089	INSERT	0030	a.....	1	31860220	DISC
0007	a.....	1	23662230	CONNECTOR	0031	a.....	1	31011700	CARTRIDGE
0008	a.....	1	23662390	SWITCH	0032	a.....	1	44700630	PLUNGER
0009	a.....	1	31501490	HOUSING	0033	a.....	1	44700300	STEEL PLUNGER
0010	a.....	1	45040715	FRAM.MOUNTING SCR	0035	a.....	1	48081075	CARTRIDGE HOLDER
0011	a.....	1	31920340	TRIGGER	0036	a.....	1	48081090	BAG HOLDER
0012	a.....	1	32480090	GEAR BOX	0037	a.....	1	31011705	CARTRIDGE
0013	a.....	1	40500990	SPRING	0038	a.....	1	49964670	WRENCH
0014	a.....	1	40503930	SPRING	0039	a.....	1	45760525	NOZZLE
0015	a.....	1	31441025	HANDLE	0041	a.....	1	48081085	CARTRIDGE 310ML
0016	a.....	1	44100500	LEVER	0042	a.....	1	51520500	PLUNGER RODS
0017	a.....	1	49520600	PLUNGER RODS					
0018	a.....	2	45040661	SCREW					
0019	a.....	1	45040705	SCREW					
0020	a.....	1	31120275	FRAME CAP					
0021	a.....	1	06819129	SCREW					
0023	a.....	1	06552457	NUT					

Repairs/modification and testing of electric power tools are to be carried out by specialists. The safety regulations according to DIN/VDE/CEE/AFNOR and other regulations valid in the different countries are to be observed.